

**ebm-papst St. Georgen GmbH & Co. KG**

Hermann-Papst-Str. 1

D-78112 St. Georgen

Phone +49 (0) 7724 81-0

Fax +49 (0) 7724 81-1309

info2@de.ebmpapst.com

www.ebmpapst.com

**Nominal data**

| Type                     | AC 4400 FNN       |           |
|--------------------------|-------------------|-----------|
| Phase                    |                   | 1~        |
| Nominal voltage          | VAC               | 115       |
| Nominal voltage range    | VAC               | 85 .. 265 |
| Frequency                | Hz                | 50        |
| Speed (rpm)              | min <sup>-1</sup> | 4850      |
| Power consumption        | W                 | 12        |
| Min. ambient temperature | °C                | -20       |
| Max. ambient temperature | °C                | 70        |
| Air flow                 | m <sup>3</sup> /h | 205       |
| Sound power level        | B                 | 6.2       |
| Sound pressure level     | dB(A)             | 53        |

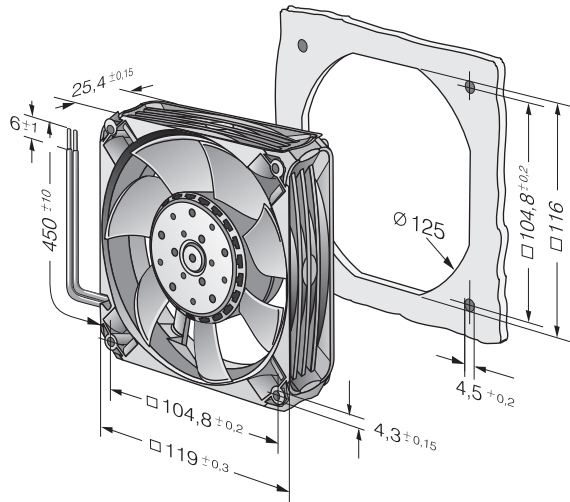
ml = Max. load · me = Max. efficiency · fa = Free air · cs = Customer specification · ce = Customer equipment  
Subject to change



**Technical description**

|  |  |
|--|--|
| <b>General description</b>                     | Usable with all line voltages between 85 and 265 VAC   |
| <b>Housing material</b>                        | Glass-fiber reinforced PBTP plastic  |
| <b>Weight</b>                                  | 0.370 kg   |
| <b>Dimensions</b>                              | 119 x 119 x 25 mm  |
| <b>Impeller material</b>                       | Glass-fiber reinforced PA plastic  |
| <b>Airflow direction</b>                       | Exhaust over struts  |
| <b>Direction of rotation</b>                   | Clockwise, viewed toward rotor   |
| <b>Storage</b>                                 | Ball bearing   |
| <b>Service life L10 at 40 °C</b>               | 60000 h  |
| <b>Service life L10 at maximum temperature</b> | 30000 h  |
| <b>Cable</b>                                   | With leads AWG 22, TR 64   |
| <b>Motor protection</b>                        | Protection against reverse polarity and blocked rotor  |
| <b>Option</b>                                  | Open-loop speed control, sensor and alarm signal; improved moisture protection or degree of protection IP54. |

Product drawing



## Curves: Air performance

