

**CLIMAGUARD™ AIR-TO-AIR INDOOR**


<b>XR20</b> Models 4 W/°F (7 W/°C)	<b>XR29-08</b> Models 8 W/°F (14 W/°C)	<b>XR29-18</b> Models 18 W/°F (32 W/°C)	<b>XR47-24</b> Models 24 W/°F (43 W/°C)	<b>XR47-35</b> Models 35 W/°F (63 W/°C)	<b>XR60-55</b> Models 55 W/°F (99 W/°C)	<b>XR60-84</b> Models 84 W/°F (151 W/°C)
--	--	---	---	---	---	--

**INDUSTRY STANDARDS**

UL/cUL Listed; Type 12; File No. SA7402  
UR/cUR Recognized

Type 12 on XR20 and XR29-08 models  
Type 3R on XR29-18 and larger models when surface mounted vertically on an enclosure  
CE  
GOST

**APPLICATION**

- Industrial automation
- Package handling equipment
- Security and defense systems
- And more

**FEATURES**

- Unique counterflow aluminum core for high-efficiency and high-performance heat transfer, except for the XR20 and XR29-08 which use a modified heat pipe core
- Models for 115 and 230 VAC power input
- UL Listed or Recognized to save customers time and money with agency approvals
- Operating temperature range from -20 F/-29 C to 140 F/60 C
- Streamlined aesthetics with no visible mounting rails; Slim design allows for mounting to narrow or shallow enclosures
- Reliable top-quality bearing fans and impellers make these units run quietly and with increased reliability
- Low-carbon mild-steel sheet-metal cover for rugged factory environments
- Easy-mount flanges for simple installation
- Mounting hardware, gaskets and user manual furnished with the unit
- Every unit functionally tested before shipping
- Filterless design for low maintenance and easy cleaning
- Four fasteners allow simple removal of front cover for easy access

**FINISH**

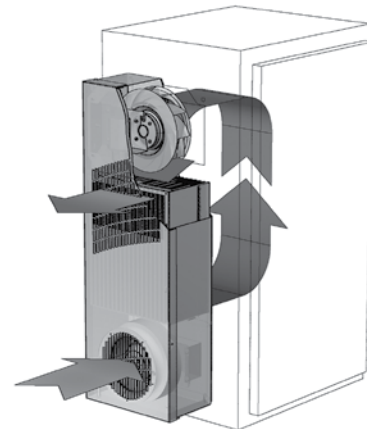
- RAL 7035 light-gray, semi-textured powder-coat paint standard
- Stainless steel Type 304 or 316 finishes available
- Other colors and textures available

**OPTIONS**

- Special Voltage Package
  - Outdoor Package\*
  - Stainless Steel Package\*
- \* CLIMAGUARD™ may be more appropriate. Refer to CLIMAGUARD Air-to-Air Outdoor chapter. Consult the factory for availability and catalog number.

**NOTES**

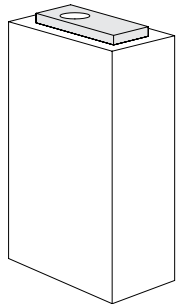
Visit [www.PentairProtect.com](http://www.PentairProtect.com) to download 2D and 3D CAD drawings into the overall design of your electronic system.



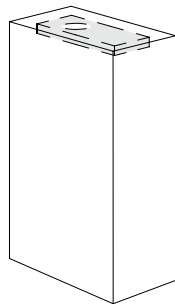
Performance Data **XR20 Models 4 W/°F (7 W/°C)**

CATALOG NUMBER		
	XR200416012	XR200426012
<b>COOLING PERFORMANCE</b>		
Nominal:		
W per °F	4	4
W per °C	7	7
Refrigerant	R-134A	R-134A
Refrigerant Charge (ounces/grams)	4/113	4/113
Operating Temperature Range:		
Maximum (°F/°C)	140/60	140/60
Minimum (°F/°C)	-20/-29	-20/-29
Airflow at 0 Static Pressure:		
Internal loop 50 Hz (CFM / m <sup>3</sup> /hr.)	71/121	71/121
External loop 50 Hz (CFM / m <sup>3</sup> /hr.)	75/127	75/127
Internal loop 60 Hz (CFM / m <sup>3</sup> /hr.)	74/126	74/126
External loop 60 Hz (CFM / m <sup>3</sup> /hr.)	78/132	78/132
<b>ELECTRICAL DATA</b>		
Rated Voltage	115	230
Frequency (Hz)	50/60	50/60
Operating Range	+/- 10%	+/- 10%
Max. Power Consumption (W at 50/60 Hz)	69	69
Max. Nominal Current (A at 50/60 Hz)	0.6	0.3
Agency Approvals	cUL Listed CE GOST	
Power Input Description	6-ft. cord with NEMA 5-15 plug	6-ft. cord with NEMA 6-15 plug
<b>ENCLOSURE PROTECTION</b>		
UL Type	Type 12 standard	
<b>SOUND LEVEL</b>		
At 1.5 Meters	56 dBA	
<b>UNIT CONSTRUCTION</b>		
Material	Mild steel sheet metal standard Stainless steel optional	
Finish	RAL 7035 light-gray, semi-textured powder-coat paint standard	
<b>UNIT DIMENSIONS</b>		
Height (in./mm)	20/508	20/508
Width (in./mm)	7.5/190.5	7.5/190.5
Depth (in./mm)	3/76.2	3/76.2
Weight (lb./kg)	12/5.4	12/5.4

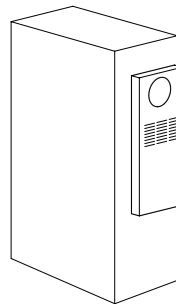
Mounting Options



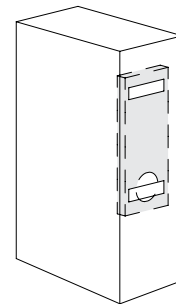
External Top-Mount



Internal Top-Mount



External Vertical-Mount

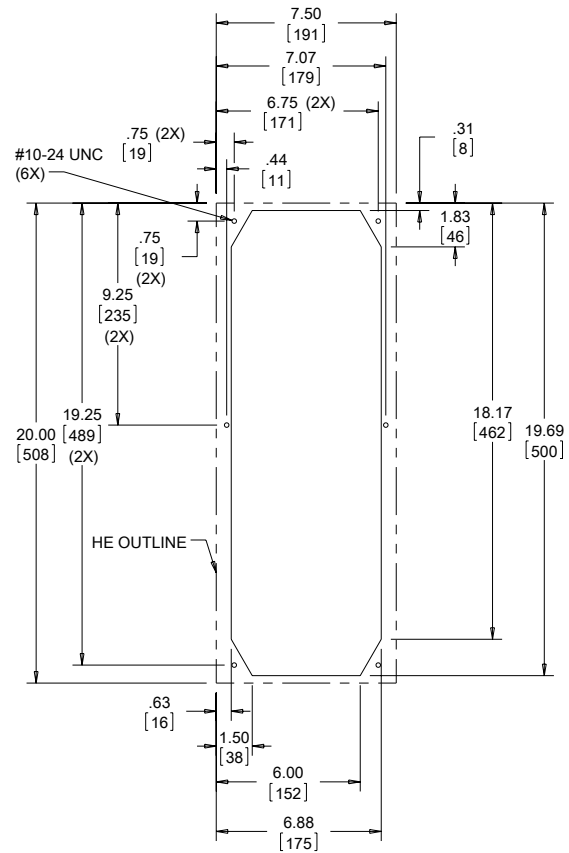
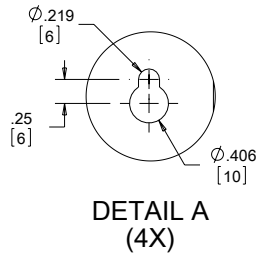
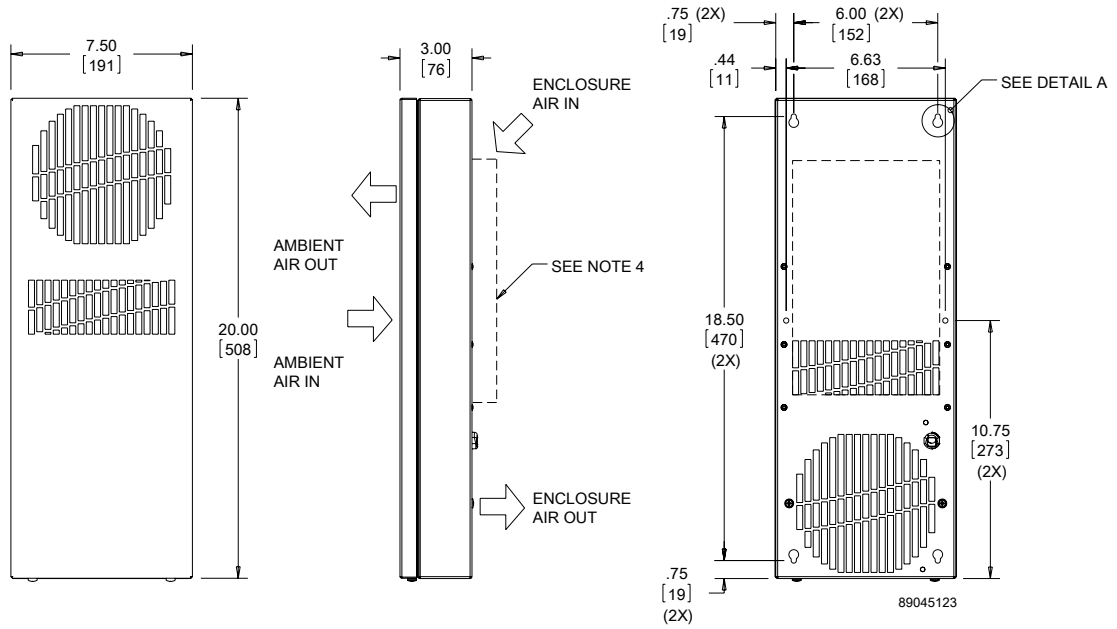


Internal Vertical-Mount

Note: Internal mounting requires inverting the heat exchanger as shown.

87569532

## XR20 Models 4 W/F (7 W/°C)



Cutout Dimensions

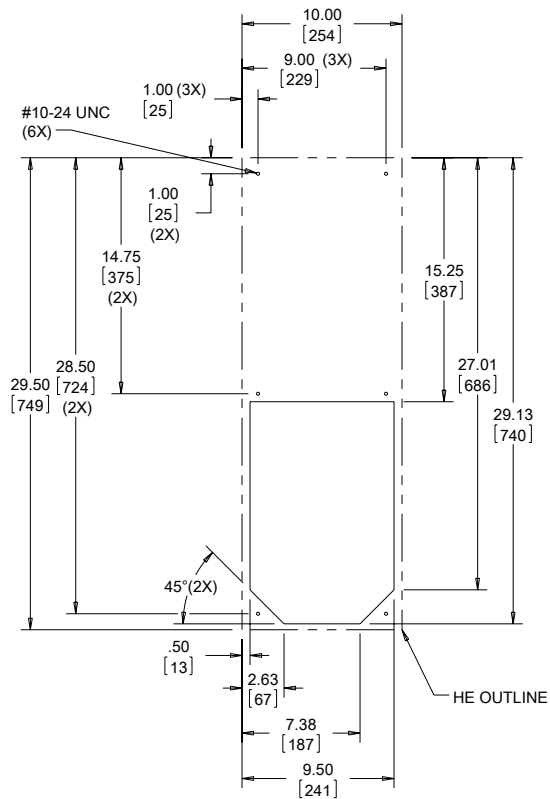
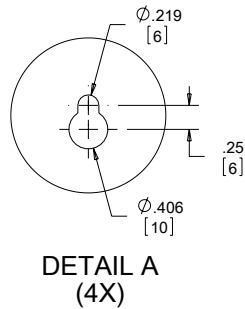
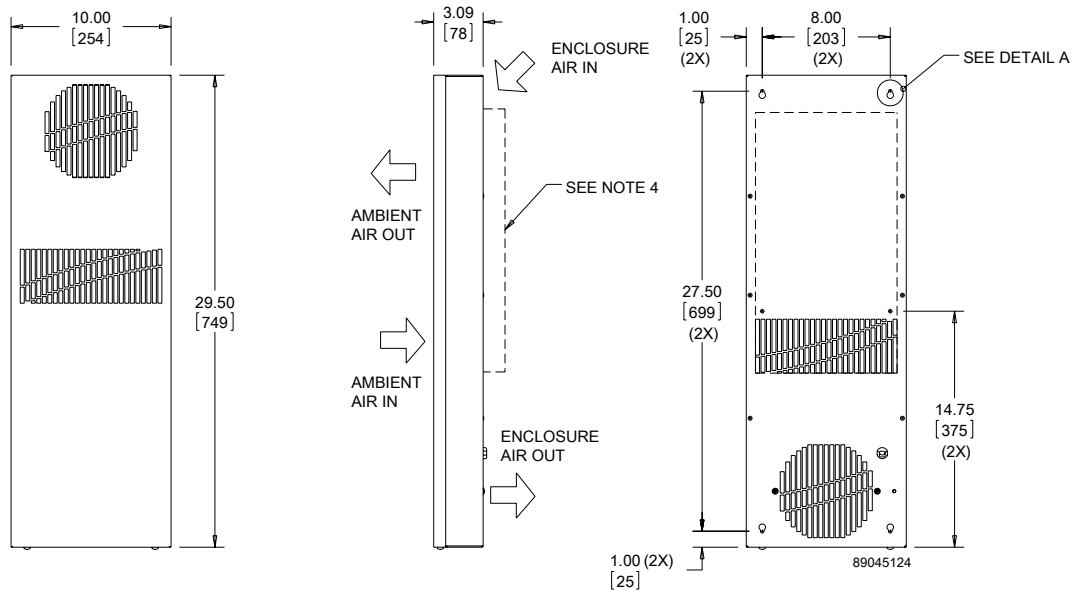
- NOTE:
1. MOUNTING GASKET SUPPLIED (NOT SHOWN)
  2. UNITS: in [mm]
  3. SERVICE CORD TERMINATED WITH APPROPRIATE PLUG:  
NEMA 5-15P FOR 115V UNITS  
NEMA 6-15P FOR 230V UNITS
  4. DETACHABLE AIRFLOW PLENUM MAY BE USED WHEN MOUNTING THE HEAT EXCHANGER INSIDE OR OUTSIDE OF THE ENCLOSURE

Visit [www.PentairProtect.com](http://www.PentairProtect.com) to download 2D and 3D CAD drawings into the overall design of your electronic system.

Performance Data **XR29 Models 8 W/°F (14 W/°C)**

CATALOG NUMBER		
	XR290816012	XR290826012
COOLING PERFORMANCE		
Nominal:		
<b>W per °F</b>	<b>8</b>	<b>8</b>
<b>W per °C</b>	<b>14</b>	<b>14</b>
Refrigerant	R-134A	R-134A
Refrigerant Charge (ounces/grams)	5.5/156	5.5/156
Operating Temperature Range:		
Maximum (°F/°C)	140/60	140/60
Minimum (°F/°C)	-20/-29	-20/-29
Airflow at 0 Static Pressure:		
Internal loop 50 Hz (CFM / m <sup>3</sup> /hr.)	71/121	71/121
External loop 50 Hz (CFM / m <sup>3</sup> /hr.)	75/127	75/127
Internal loop 60 Hz (CFM / m <sup>3</sup> /hr.)	74/126	74/126
External loop 60 Hz (CFM / m <sup>3</sup> /hr.)	78/132	78/132
ELECTRICAL DATA		
<b>Rated Voltage</b>	<b>115</b>	<b>230</b>
Frequency (Hz)	50/60	50/60
Operating Range	+/- 10%	+/- 10%
Max. Power Consumption (W at 50/60 Hz)	69	69
Max. Nominal Current (A at 50/60 Hz)	0.6	0.3
Agency Approvals	cUL Listed CE GOST	
Power Input Description	6-ft. cord with NEMA 5-15 plug	6-ft. cord with NEMA 6-15 plug
ENCLOSURE PROTECTION		
UL Type	Type 12 standard	
SOUND LEVEL		
At 1.5 Meters	56 dBA	
UNIT CONSTRUCTION		
Material	Mild steel sheet metal standard Stainless steel optional	
Finish	RAL 7035 light-gray, semi-textured powder-coat paint standard	
UNIT DIMENSIONS		
Height (in./mm)	29.5/749.3	29.5/749.3
Width (in./mm)	10/254	10/254
Depth (in./mm)	3.09/78.5	3.09/78.5
Weight (lb./kg)	21/9.5	21/9.5

## XR29 Models 8 W/°F (14 W/°C)



Cutout Dimensions

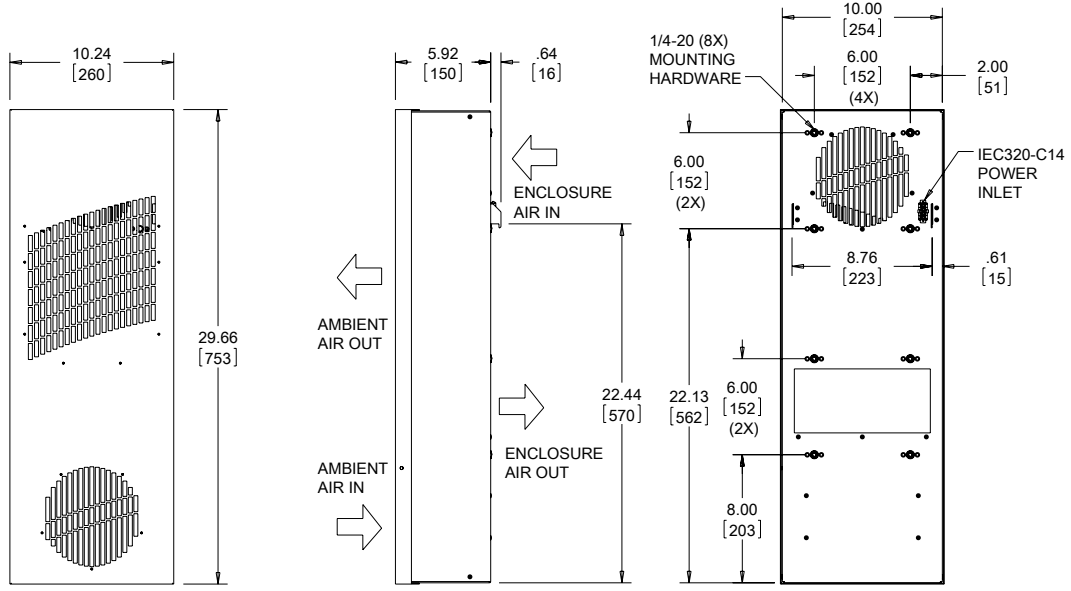
- NOTE:
1. MOUNTING GASKET SUPPLIED (NOT SHOWN)
  2. UNITS: in [mm]
  3. SERVICE CORD TERMINATED WITH APPROPRIATE PLUG:  
NEMA 5-15p FOR 115V UNITS  
NEMA 6-15P FOR 230V UNITS
  4. DETACHABLE AIRFLOW PLENUM MAY BE USED WHEN MOUNTING THE HEAT EXCHANGER INSIDE OR OUTSIDE OF THE ENCLOSURE

Visit [www.PentairProtect.com](http://www.PentairProtect.com) to download 2D and 3D CAD drawings into the overall design of your electronic system.

Performance Data **XR29 Models 18 W/°F (32 W/°C)**

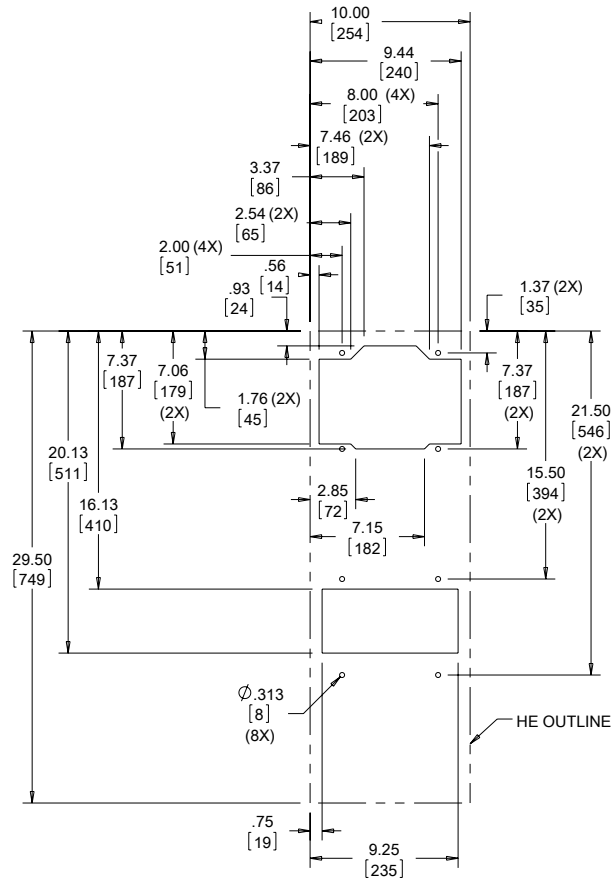
<b>CATALOG NUMBER</b>		
	XR291816012	XR291826012
<b>COOLING PERFORMANCE</b>		
Nominal:		
<b>W per °F</b>	<b>18</b>	<b>18</b>
<b>W per °C</b>	<b>32</b>	<b>32</b>
Refrigerant	N/A	N/A
Refrigerant Charge (ounces/grams)	N/A	N/A
Operating Temperature Range:		
Maximum (°F/°C)	140/60	140/60
Minimum (°F/°C)	-20/-29	-20/-29
Airflow at 0 Static Pressure:		
Internal loop 50 Hz (CFM / m <sup>3</sup> /hr.)	126/214	126/214
External loop 50 Hz (CFM / m <sup>3</sup> /hr.)	120/204	120/204
Internal loop 60 Hz (CFM / m <sup>3</sup> /hr.)	140/237	140/237
External loop 60 Hz (CFM / m <sup>3</sup> /hr.)	133/226	133/226
<b>ELECTRICAL DATA</b>		
<b>Rated Voltage</b>	<b>115</b>	<b>230</b>
Frequency (Hz)	50/60	50/60
Operating Range	+/- 10%	+/- 10%
Max. Power Consumption (W at 50/60 Hz)	207	207
Max. Nominal Current (A at 50/60 Hz)	1.8	0.9
Agency Approvals	cUL Listed CE GOST	
Power Input Description	6-ft. cord with NEMA 5-15 plug	6-ft. cord with NEMA 6-15 plug
<b>ENCLOSURE PROTECTION</b>		
UL Type	Type 12 standard Type 3R, 4, 4X optional	
<b>SOUND LEVEL</b>		
At 1.5 Meters	64 dBA	
<b>UNIT CONSTRUCTION</b>		
Material	Mild steel sheet metal standard Stainless steel optional	
Finish	RAL 7035 light-gray, semi-textured powder-coat paint standard	
<b>UNIT DIMENSIONS</b>		
Height (in./mm)	29.66/753.3	29.66/753.3
Width (in./mm)	10.24/260.1	10.24/260.1
Depth (in./mm)	5.92/150.4	5.92/150.4
Weight (lb./kg)	32/15	32/15

XR29 Models 18 W/°F (32 W/°C)



89045125

- NOTE:  
 1. MOUNTING GASKET SUPPLIED (NOT SHOWN)  
 2. UNITS: in. [mm]



Cutout Dimensions

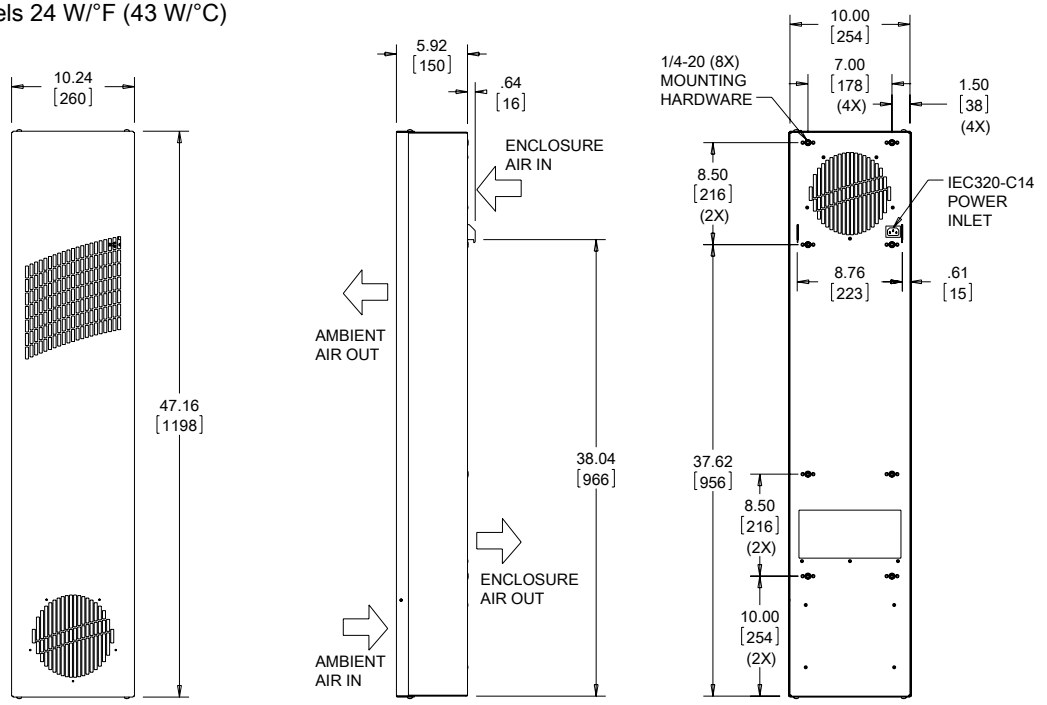
Visit [www.PentairProtect.com](http://www.PentairProtect.com) to download 2D and 3D CAD drawings into the overall design of your electronic system.

Performance Data **XR47 Models 24 W/°F (43 W/°C)**

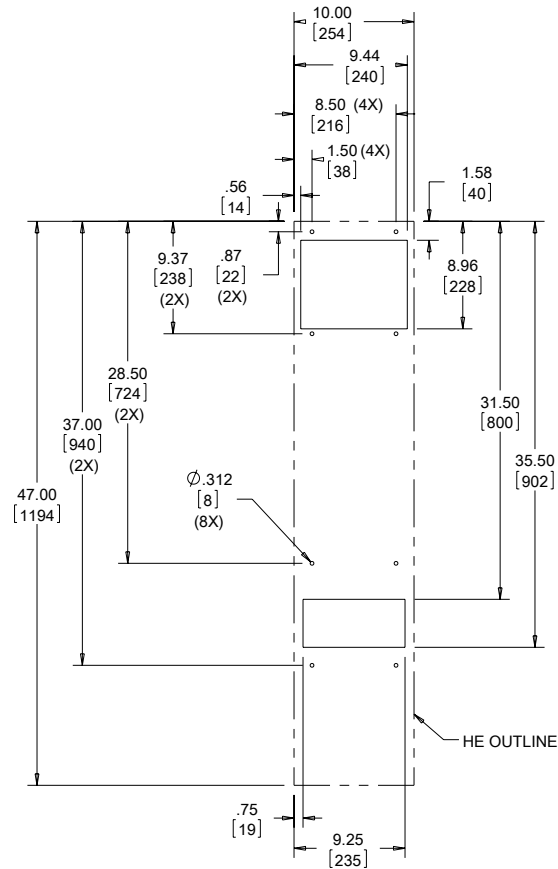
<b>CATALOG NUMBER</b>		
	XR472416012	XR472426012
<b>COOLING PERFORMANCE</b>		
Nominal:		
<b>W per °F</b>	<b>24</b>	<b>24</b>
<b>W per °C</b>	<b>43</b>	<b>43</b>
Refrigerant	N/A	N/A
Refrigerant Charge (ounces/grams)	N/A	N/A
Operating Temperature Range:		
Maximum (°F/°C)	140/60	140/60
Minimum (°F/°C)	-20/-29	-20/-29
Airflow at 0 Static Pressure:		
Internal loop 50 Hz (CFM / m <sup>3</sup> /hr.)	140/238	140/238
External loop 50 Hz (CFM / m <sup>3</sup> /hr.)	118/200	118/200
Internal loop 60 Hz (CFM / m <sup>3</sup> /hr.)	156/265	156/265
External loop 60 Hz (CFM / m <sup>3</sup> /hr.)	131/222	131/222
<b>ELECTRICAL DATA</b>		
<b>Rated Voltage</b>	<b>115</b>	<b>230</b>
Frequency (Hz)	50/60	50/60
Operating Range	+/- 10%	+/- 10%
Max. Power Consumption (W at 50/60 Hz)	207	207
Max. Nominal Current (A at 50/60 Hz)	1.8	0.9
Agency Approvals	cUL Listed CE GOST	
Power Input Description	6-ft. cord with NEMA 5-15 plug	6-ft. cord with NEMA 6-15 plug
<b>ENCLOSURE PROTECTION</b>		
UL Type	Type 12 standard Type 3R, 4, 4X optional	
<b>SOUND LEVEL</b>		
At 1.5 Meters	68 dBA	
<b>UNIT CONSTRUCTION</b>		
Material	Mild steel sheet metal standard Stainless steel optional	
Finish	RAL 7035 light-gray, semi-textured powder-coat paint standard	
<b>UNIT DIMENSIONS</b>		
Height (in./mm)	47.16/1197.9	47.16/1197.9
Width (in./mm)	10.24/260.1	10.24/260.1
Depth (in./mm)	5.92/150.4	5.92/150.4
Weight (lb./kg)	51/23	51/23



XR47 Models 24 W/F (43 W/C)



89045126



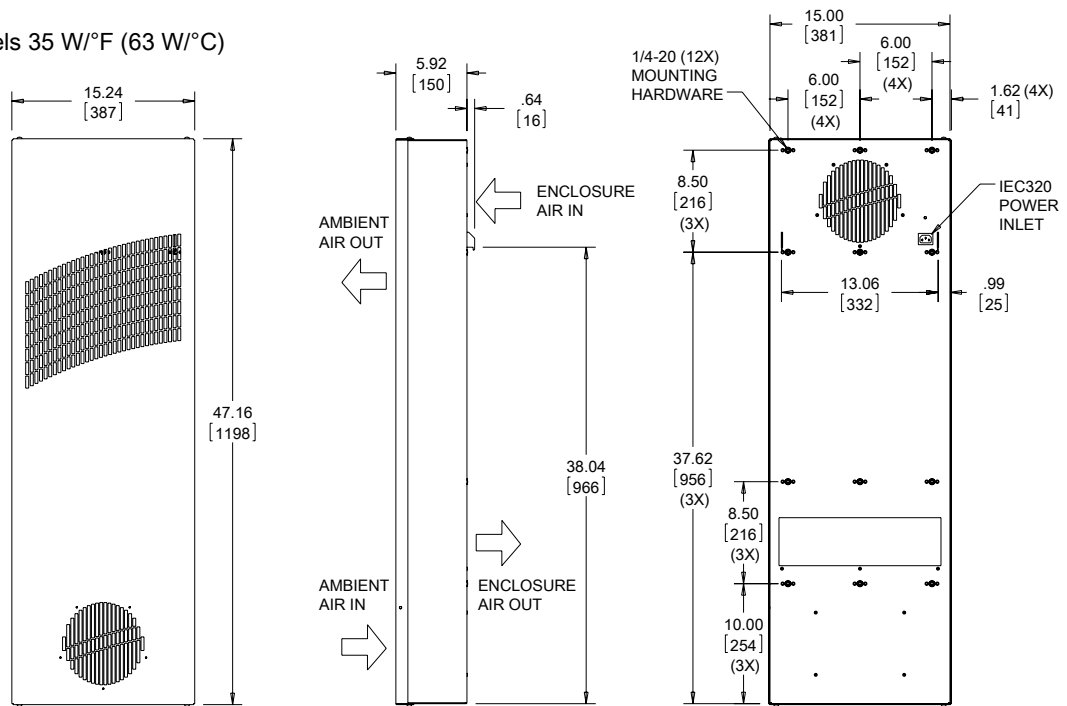
Cutout Dimensions

Visit [www.PentairProtect.com](http://www.PentairProtect.com) to download 2D and 3D CAD drawings into the overall design of your electronic system.

Performance Data **XR47 Models 35 W/°F (63 W/°C)**

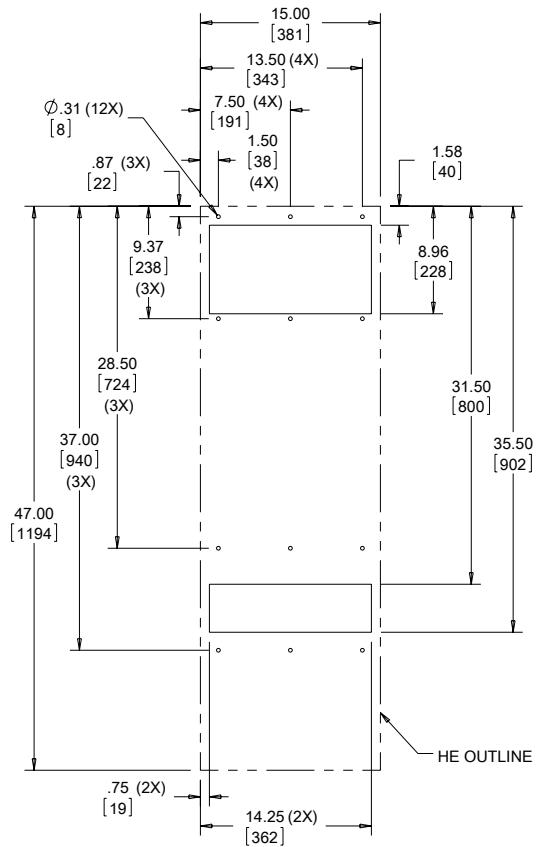
CATALOG NUMBER		
	XR473516012	XR473526012
<b>COOLING PERFORMANCE</b>		
Nominal:		
W per °F	35	35
W per °C	63	63
Refrigerant	N/A	N/A
Refrigerant Charge (ounces/grams)	N/A	N/A
Operating Temperature Range:		
Maximum (°F/°C)	140/60	140/60
Minimum (°F/°C)	-20/-29	-20/-29
Airflow at 0 Static Pressure:		
Internal loop 50 Hz (CFM / m <sup>3</sup> /hr.)	120/204	120/204
External loop 50 Hz (CFM / m <sup>3</sup> /hr.)	131/222	131/222
Internal loop 60 Hz (CFM / m <sup>3</sup> /hr.)	133/226	133/226
External loop 60 Hz (CFM / m <sup>3</sup> /hr.)	146/248	146/248
<b>ELECTRICAL DATA</b>		
Rated Voltage	115	230
Frequency (Hz)	50/60	50/60
Operating Range	+/- 10%	+/- 10%
Max. Power Consumption (W at 50/60 Hz)	207	207
Max. Nominal Current (A at 50/60 Hz)	1.8	0.9
Agency Approvals	cUL Listed CE GOST	
Power Input Description	6-ft. cord with NEMA 5-15 plug	6-ft. cord with NEMA 6-15 plug
<b>ENCLOSURE PROTECTION</b>		
UL Type	Type 12 standard Type 3R, 4, 4X optional	
<b>SOUND LEVEL</b>		
At 1.5 Meters	68 dBA	
<b>UNIT CONSTRUCTION</b>		
Material	Mild steel sheet metal standard Stainless steel optional	
Finish	RAL 7035 light-gray, semi-textured powder-coat paint standard	
<b>UNIT DIMENSIONS</b>		
Height (in./mm)	47.16/1197.8	47.16/1197.8
Width (in./mm)	15.24/387.1	15.24/387.1
Depth (in./mm)	5.92/150.4	5.92/150.4
Weight (lb./kg)	59/27	59/27

XR47 Models 35 W/°F (63 W/°C)



89045127

- NOTE:  
 1. MOUNTING GASKET SUPPLIED (NOT SHOWN)  
 2. UNITS: in [mm]  
 3. 2-METER LONG SERVICE CORD TERMINATED WITH APPROPRIATE PLUG: NEMA 5-15P FOR 115V UNITS NEMA 6-15P FOR 230V UNITS



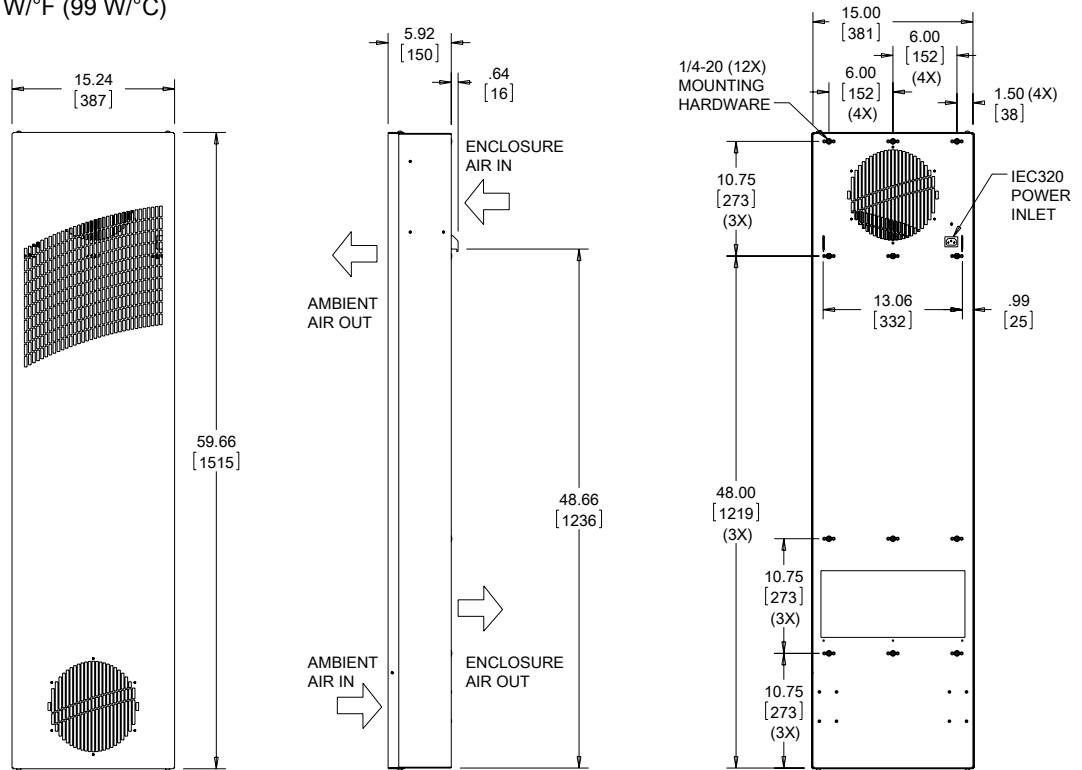
Cutout Dimensions

Visit [www.PentairProtect.com](http://www.PentairProtect.com) to download 2D and 3D CAD drawings into the overall design of your electronic system.

Performance Data **XR60 Models 55 W/°F (99 W/°C)**

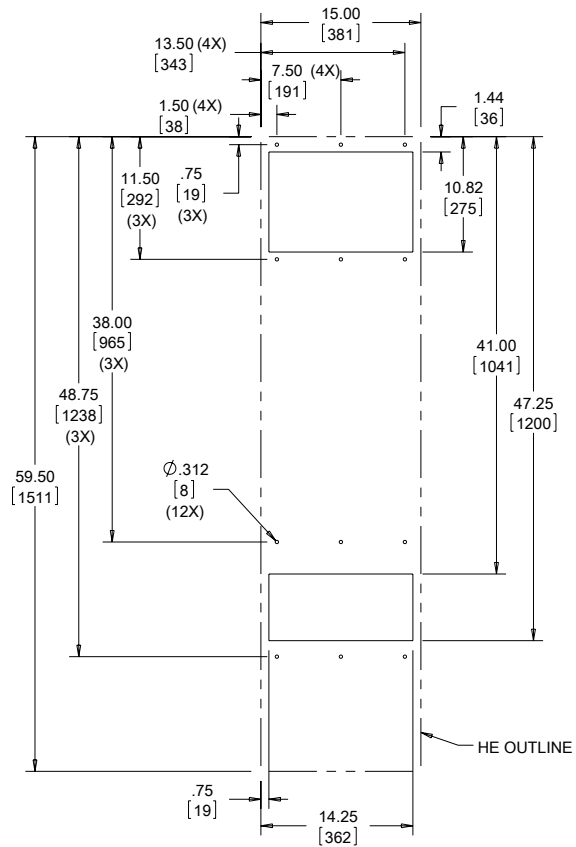
<b>CATALOG NUMBER</b>		
	XR605516012	XR605526012
<b>COOLING PERFORMANCE</b>		
Nominal:		
<b>W per °F</b>	<b>55</b>	<b>55</b>
<b>W per °C</b>	<b>99</b>	<b>99</b>
Refrigerant	N/A	N/A
Refrigerant Charge (ounces/grams)	N/A	N/A
Operating Temperature Range:		
Maximum (°F/°C)	140/60	140/60
Minimum (°F/°C)	-20/-29	-20/-29
Airflow at 0 Static Pressure:		
Internal loop 50 Hz (CFM / m <sup>3</sup> /hr.)	398/676	398/676
External loop 50 Hz (CFM / m <sup>3</sup> /hr.)	429/729	429/729
Internal loop 60 Hz (CFM / m <sup>3</sup> /hr.)	442/751	442/751
External loop 60 Hz (CFM / m <sup>3</sup> /hr.)	477/810	477/810
<b>ELECTRICAL DATA</b>		
<b>Rated Voltage</b>	<b>115</b>	<b>230</b>
Frequency (Hz)	50/60	50/60
Operating Range	+/- 10%	+/- 10%
Max. Power Consumption (W at 50/60 Hz)	759	759
Max. Nominal Current (A at 50/60 Hz)	6.6	3.3
Agency Approvals	cUL Listed CE GOST	
Power Input Description	6-ft. cord with NEMA 5-15 plug	6-ft. cord with NEMA 6-15 plug
<b>ENCLOSURE PROTECTION</b>		
UL Type	Type 12 standard Type 3R, 4, 4X optional	
<b>SOUND LEVEL</b>		
At 1.5 Meters	73 dBA	
<b>UNIT CONSTRUCTION</b>		
Material	Mild steel sheet metal standard Stainless steel optional	
Finish	RAL 7035 light-gray, semi-textured powder-coat paint standard	
<b>UNIT DIMENSIONS</b>		
Height (in./mm)	59.66/1515.3	59.66/1515.3
Width (in./mm)	15.24/387.1	15.24/387.1
Depth (in./mm)	5.92/150.4	5.92/150.4
Weight (lb./kg)	86/39	86/39

## XR60 Models 55 W/°F (99 W/°C)



89045128

- NOTE:
1. MOUNTING GASKET SUPPLIED (NOT SHOWN)
  2. UNITS: in [mm]
  3. 2-METER LONG SERVICE CORD SUPPLIED WITH APPROPRIATE PLUG: NEMA 5-15P FOR 115V UNITS NEMA 6-15P FOR 230V UNITS



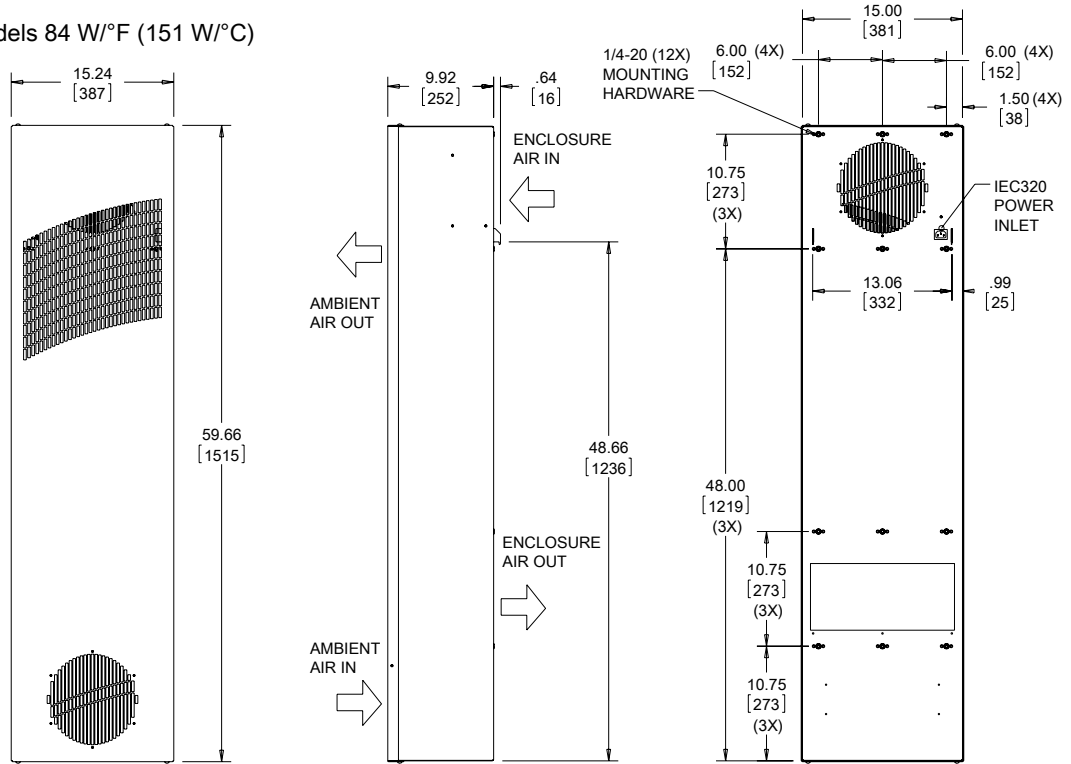
Cutout Dimensions

 Visit [www.PentairProtect.com](http://www.PentairProtect.com) to download 2D and 3D CAD drawings into the overall design of your electronic system.

Performance Data **XR60 Models 84 W/°F (151 W/°C)**

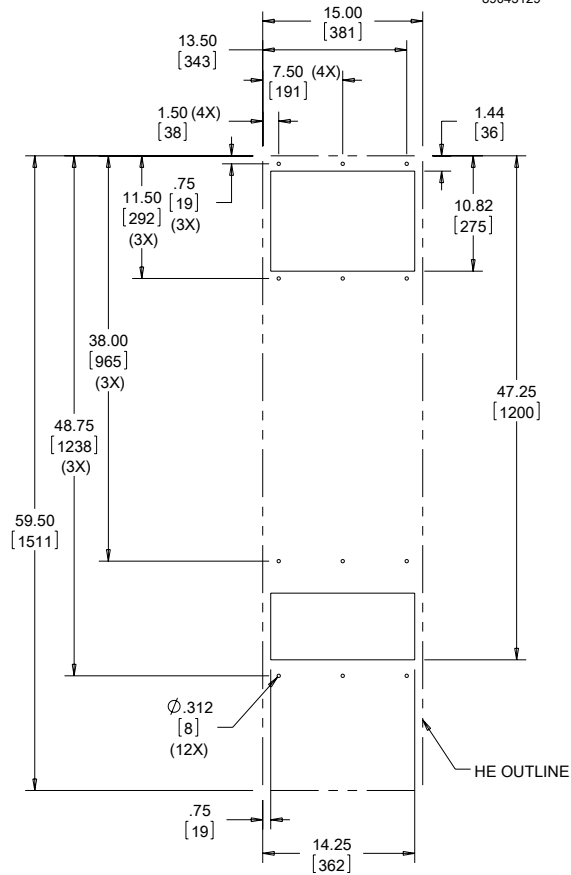
<b>CATALOG NUMBER</b>		
	XR608416012	XR608426012
<b>COOLING PERFORMANCE</b>		
Nominal:		
<b>W per °F</b>	<b>84</b>	<b>84</b>
<b>W per °C</b>	<b>151</b>	<b>151</b>
Refrigerant	N/A	N/A
Refrigerant Charge (ounces/grams)	N/A	N/A
Operating Temperature Range:		
Maximum (°F/°C)	140/60	140/60
Minimum (°F/°C)	-20/-29	-20/-29
Airflow at 0 Static Pressure:		
Internal loop 50 Hz (CFM / m <sup>3</sup> /hr.)	497/844	497/844
External loop 50 Hz (CFM / m <sup>3</sup> /hr.)	434/737	434/737
Internal loop 60 Hz (CFM / m <sup>3</sup> /hr.)	552/938	552/938
External loop 60 Hz (CFM / m <sup>3</sup> /hr.)	482/819	482/819
<b>ELECTRICAL DATA</b>		
<b>Rated Voltage</b>	<b>115</b>	<b>230</b>
Frequency (Hz)	50/60	50/60
Operating Range	+/- 10%	+/- 10%
Max. Power Consumption (W at 50/60 Hz)	759	759
Max. Nominal Current (A at 50/60 Hz)	6.6	3.3
Agency Approvals	cUL Listed CE GOST	
Power Input Description	6-ft. cord with NEMA 5-15 plug	6-ft. cord with NEMA 6-15 plug
<b>ENCLOSURE PROTECTION</b>		
UL Type	Type 12 standard Type 3R, 4, 4X optional	
<b>SOUND LEVEL</b>		
At 1.5 Meters	73 dBA	
<b>UNIT CONSTRUCTION</b>		
Material	Mild steel sheet metal standard Stainless steel optional	
Finish	RAL 7035 light-gray, semi-textured powder-coat paint standard	
<b>UNIT DIMENSIONS</b>		
Height (in./mm)	59.66/1515.3	59.66/1515.3
Width (in./mm)	15.24/387.1	15.24/387.1
Depth (in./mm)	9.92/252	9.92/252
Weight (lb./kg)	106/48	106/48

XR60 Models 84 W/F (151 W/C)



89045129

- NOTE:  
 1. MOUNTING GASKET SUPPLIED (NOT SHOWN)  
 2. UNITS: in [mm]  
 3. 2-METER LONG SERVICE CORD SUPPLIED WITH APPROPRIATE PLUG: NEMA 5-15P FOR 115V UNITS NEMA 6-15P FOR 230V UNITS



Cutout Dimensions

Visit [www.PentairProtect.com](http://www.PentairProtect.com) to download 2D and 3D CAD drawings into the overall design of your electronic system.

**Notes**