

- Overview 0
- Cabinets 1
- Wall mounted cases 2
- Accessories for cabinets and wall mounted cases 3
- Climate control 4
- Desk-top cases 5
- Sub racks/ 19" chassis ... 6
- Front panels, plug-in units .. 7
- Systems 8**
- Power supply units 9
- Backplanes .. 10
- Connectors, front panel component system 11
- Appendix 12

Systems - CompactPCI subrack systems



What we understand to be a system

We at Schroff regard a system as being a combination of mechanical components like a subrack or case with electronic components such as a backplane and power supply unit, a cooling unit where appropriate and a system management module.

A strong standard range

Our extensive and highly-developed standard range offers you mechanical, electronic and thermal components in an almost unlimited variety of dimensions and specifications. Simply select a complete ready system or configure your system from our standard components, online or using the catalogue, to your exact requirements.

Flexibility for modifications

Often only small adjustments are needed to create the required solution from a standard product. And we have set ourselves up to offer just that. We can make modifications in accordance with your individual specifications - with our usual speed and reliability.

Competent with new developments

If your requirements cannot be met with standard products or modified standard solutions, our qualified and experienced team will create a customised solution for your system. We have all the necessary development and manufacturing competencies gathered under one roof.

Standards/Approvals

- Inner and outer dimensions in accordance with:
IEC 60297-3-101 / IEEE 1101.1
IEC 60297-3-102 / IEEE 1101.10/11
IEC 60297-3-103
- Ingress protection IP 20 in accordance with IEC 60529
- EMC testing in accordance with IEC 61587-3
- In accordance with PICMG 2.0 rev. 3.0, PICMG 2.16 and PXI 2.0



Areas of application

- Measurement, control and instrumentation technology
- Automation technology, machine monitoring
- Aerospace
- Defence systems
- Medical technology
- Telecommunications



User manuals and technical documentation at www.schroff.biz/oneclick
Enter part number

Downloads and further important information can be found on the Internet under www.schroff.biz

CompactPCI subrack and case systems

- Large selection of standard CompactPCI, PSB and H.110 systems
- Standard systems to the new CompactPCI PlusIO and CompactPCI Serial standards
- Individual configuration within 9 working days
- Custom solutions on request



12310002

CompactPCI Serial

CompactPCI Serial (PICMG CPCI-S.0) is a systematic further development of CompactPCI. Instead of the former PCI bus, this defines the current and future serial protocols for data transmission. In addition to PCIe, S-ATA, USB 2.0 & 3.0 and Ethernet are also available on every slot.



12309004

CompactPCI PlusIO

CompactPCI PlusIO (PICMG 2.30) defines a unified pinout for the fast serial PCIe, S-ATA, USB and Ethernet protocols on the 32-bit CompactPCI system slot. Hybrid CompactPCI/CompactPCI Serial systems can be built. CompactPCI PlusIO thus offers simple migration to the new technology.



12304002

CompactPCI

CompactPCI (PICMG 2.0) was specified in 1995 and is based on the widely-used PCI bus. This bus, with the CompactPCI specification, is packaged in a robust modular 19" enclosure and is thus suitable for industrial use.



12306003

PSB

PSB (Packet Switching Backplane, PICMG 2.16) and H.110 (Computer Telephony Bus, PICMG 2.5) are CompactPCI sub-specifications that define additional buses, specifically for telecommunications applications, in 6 U CompactPCI.

Subracks

CompactPCI subracks for building an individual CompactPCI system can be found in the subracks section, page 6.14

ServicePLUS from page 8.112

- e.g. individual configuration and assembly
- e.g. modifications (integration)
- e.g. downloads (CAD drawings, user manuals, test reports)
- e.g. custom solutions

www.schroff.biz/ServicePLUS



30407004

CompactPCI Serial
4 U, 9 slot 8.70

CompactPCI PlusIO
4 U, 8 slot 8.73

CompactPCI subrack systems with ATX power supply, 1, 2, 3 U . . . 8.76
with 19" power supply, 1, 2, 3 and 4 U 8.77
3 U 8.78
4 U 8.79
6 U 8.81
6 + 1 U 8.82

CompactPCI case systems
4 U 8.84
7 U 8.85

PSB plug-in units
4 U 8.86
10 U 8.87

Subracks
Kit, shielded, with/without rear I/O 6.14

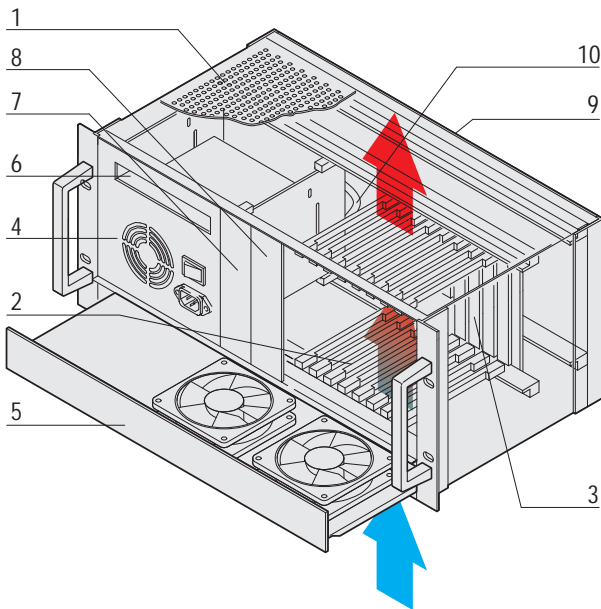
ServicePLUS . . 8.112

Systems - CompactPCI Serial subrack systems

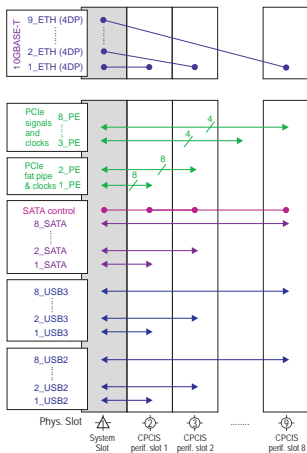
4 U, 9 slot, without rear I/O,
with ATX PSU



12311001



12310050



12410052

Backplane topology

- System for vertical board mounting with board format
 - Front: 3 U, 160 mm deep, 9 slot
- Backplane
 - 9 slot, 3 U, CompactPCI Serial
- ATX PSU, 300 W
- Heat dissipation by 1 U hot-swap fan unit, from bottom to top
- Option to mount Slim-Line DVD and hard disk drives

NEW

Delivery comprises (completely assembled, wired and tested)

Item	Qty	Description
1	1	Shielded 19" chassis, AI; perforated top cover and base plate; front handles
2	9	Front slot; IEEE guide rails, incl. ESD clips (ESD clips fitted to bottom front), for vertical boards (3 U, 160 mm deep)
3	1	Backplane for 3 U boards; 9 slot CompactPCI Serial (single star topology, part no. 23007-612)
4	1	ATX PSU 300 W, 32 HP; wide range input 100 ... 240 V _{AC} ; (3.3 V/28 A, 5 V/35 A, 12 V/22 A, -12 V/0.8 A); IEC AC input module with socket; mains switch; fan
5	1	Hot-swap fan tray, extractable, 1 U, 2 x 12 V _{DC} fan
6	1	Module to accommodate a slimline DVD drive unit
7	1	3 U, 8 HP module to accommodate a hard disk drive
8	1	Front panel, front, 3 U, 8 HP
9	1	Front panel, rear, 3 U, 84 HP
10	1	Cable harness to connect all system components

Order Information

Height U	Height mm	Width HP	Depth mm	Number of slots	Part no.
4	177	84	275	9	24579-415

Accessories

Equipment cables	Page 3.38
Front panels	Page 7.5
Modules to mount drive units	Page 8.110
Front panels with handle	Page 7.32
Fan control modules (FCM)	Page 8.108

Note

- Modified systems available on request
- System in accordance with IEC 60297-3-101, -102, -103; IEEE 1101.1, 1101.10/11; backplane in accordance with PICMG CPCIS-S.0



For further information www.schroff.biz/oneclick
oneClick search code = Part no.



ServicePLUS see page 8.112

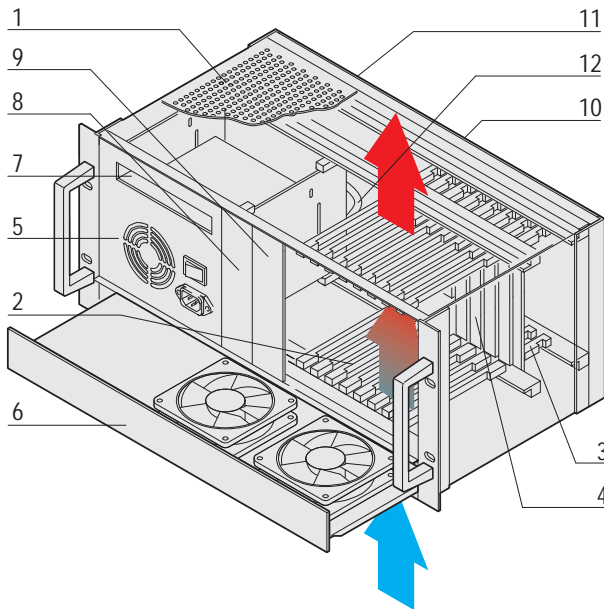


Systems - CompactPCI Serial subrack systems

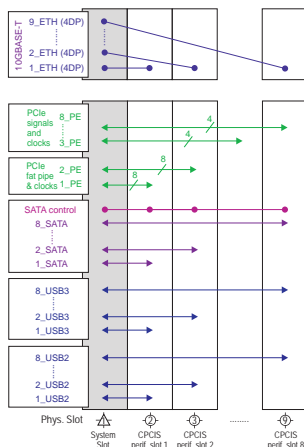
4 U, 9 slot, with rear I/O and ATX PSU



12310002



12310051



12410052

Backplane topology

- System for vertical board mounting with board format
 - Front: 3 U, 160 mm deep, 9 slot
 - Rear, rear I/O: 3 U, 80 mm deep, 8 slot
- Backplane
 - 9 slot, 3 U, CompactPCI Serial
- ATX PSU, 300 W
- Heat dissipation by 1 U hot-swap fan unit, from bottom to top
- Option to mount Slim-Line DVD and hard disk drives

NEW

Delivery comprises (completely assembled, wired and tested)

Item	Qty	Description
1	1	Shielded 19" chassis, Al; perforated top cover and base plate; front handles
2	9	Front slot; IEEE guide rails, incl. ESD clips (ESD clips fitted to bottom front), for vertical boards (3 U, 160 mm deep)
3	8	Rear slot; IEEE guide rails, incl. ESD clips (ESD clips fitted to bottom), for vertical rear I/O boards (3 U, 80 mm deep)
4	1	Backplane for 3 U boards; 9 slot CompactPCI Serial (single star topology, part no. 23007-614)
5	1	ATX PSU 300 W, 32 HP; wide range input 100 ... 240 V _{AC} ; (3.3 V/28 A, 5 V/35 A, 12 V/22 A, -12 V/0.8 A); IEC AC input module with socket; mains switch; fan
6	1	Hot-swap fan tray, extractable, 1 U, 2 x 12 V _{DC} fan
7	1	Module to accommodate a slimline DVD drive unit
8	1	3 U, 8 HP module to accommodate a hard disk drive
9	1	Front panel, front, 3 U, 8 HP
10	1	Front panel, rear, 3 U, 4 HP
11	1	Front panel, rear, 3 U, 48 HP
12	1	Cable harness to connect all system components

Order Information

Height U	Height mm	Width HP	Depth mm	Number of slots	Part no.
4	177	84	275	9	24579-420

Accessories

Equipment cables	Page 3.38
Front panels	Page 7.5
Modules to mount drive units	Page 8.110
Front panels with handle	Page 7.32
Fan control modules (FCM)	Page 8.108

Note

- Modified systems available on request
- System in accordance with IEC 60297-3-101, -102, -103; IEEE 1101.1, 1101.10/11; backplane in accordance with PICMG CPCI-S.0



For further information www.schroff.biz/oneclick
oneClick search code = Part no.



ServicePLUS see page 8.112



Open Modular Computing Specifications

Systems - CompactPCI Serial subrack systems

4 U, 9 slot, 44 HP, without rear I/O,
with 19" PSU

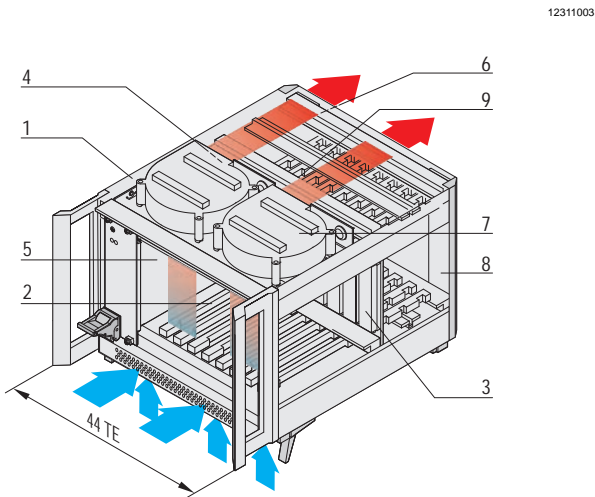


- System for vertical board mounting with board format
 - Front: 3 U, 160 mm deep, 9 slot
- Backplane
 - 9 slot, 3 U, CompactPCI Serial
- 19" PSU, 250 W, 3 U, 8 HP
- Heat dissipation by two radial fans, from front to rear

NEW

Delivery comprises (completely assembled, wired and tested)

Item	Qty	Description
1	1	ratiopacPRO-air case, RAL 9006, shielded, perforated air inlet/exhaust openings front and rear; front handles RAL 7016
2	9	Front slot; IEEE guide rails, incl. ESD clips (ESD clips fitted to bottom front), for vertical boards (3 U, 160 mm deep)
3	1	Backplane for 3 U boards; 9 slot CompactPCI Serial (part no. 23007-612)
4	1	Power backplane, 3 U, 8 HP with 1 x P47 connector (part no. 23098-105)
5	1	19" compatible power supply, 250 W (3 U, 8 HP; part no. 13100-141)
6	1	AC input module, 3 U, 8 HP; AC line filter, 110 ... 250 V _{AC} , 50 ... 60 Hz, max. current 10 A
7	2	Radial fan, 36 m ³ /h each, free blowing
8	1	Front panel, rear, 3 U, 36 HP
9	1	Cable harness to connect all system components



Order Information

Height U	Height mm	Width HP	Depth mm	Number of slots	Part no.
4	177	44	275	9	24579-606

Accessories

Equipment cables	Page 3.38
Front panels	Page 7.5
Modules to mount drive units	Page 8.110
Front panels with handle	Page 7.32
Fan control modules (FCM)	Page 8.108

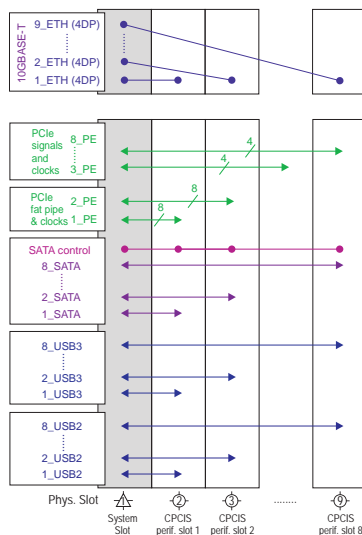
Note

- Modified systems available on request
- System in accordance with IEC 60297-3-101, -102, -103; IEEE 1101.1, 1101.10/11; backplane in accordance with PICMG CPCI-S.0



For further information www.schroff.biz/oneclick
oneClick search code = Part no.

Backplane topology



ServicePLUS see page 8.112

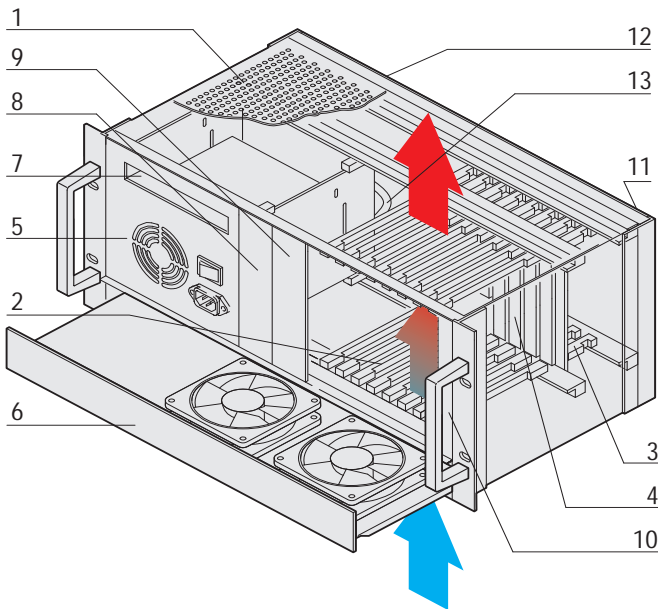


Systems - CompactPCI PlusIO subrack systems

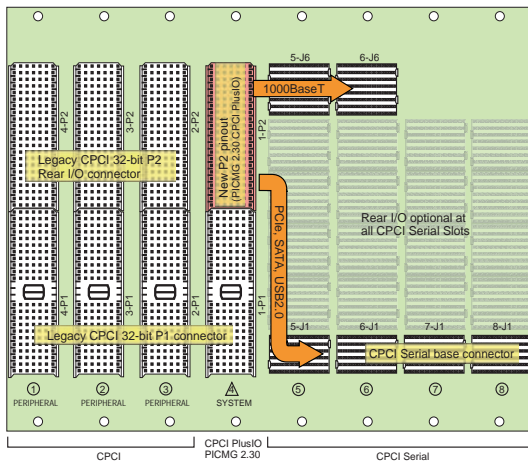
4 U, 8 slot, with rear I/O,
ATX PSU



12309004



12308050



12409051

Backplane topology

- System for vertical board mounting with board format
 - Front: 3 U, 160 mm deep, 8 slot
 - Rear, rear I/O: 3 U, 80 mm deep, 3 slot
- Backplane
 - 4 slot, 3 U, 32 bit, CompactPCI
 - 4 slot, 3 U, CompactPCI PlusIO
 - Power Backplane
- ATX PSU, 300 W
- Heat dissipation by 1 U hot-swap fan unit, from bottom to top
- Option to mount a slimline DVD drive and hard disk

NEW

Delivery comprises (completely assembled, wired and tested)

Item	Qty	Description
1	1	Shielded 19" chassis, Al; perforated top cover and base plate; front handles
2	8	Front slot; IEEE guide rails, incl. ESD clips (ESD clips fitted to bottom front), for vertical boards (3 U, 160 mm deep)
3	3	Rear slot; IEEE guide rails, incl. ESD clips (ESD clips fitted to bottom), for vertical rear I/O boards (3 U, 80 mm deep)
4	1	Backplane for 3 U boards; 8 slots comprising 4 slots 32-bit CompactPCI plus 4 slots CompactPCI PlusIO (PICMG 2.30, part no. 23007-601)
5	1	ATX power supply, 300 W; 32 HP wide range input 100 ... 240 V _{AC} ; (3.3 V/28 A, 5 V/35 A, 12 V/22 A, -12 V/0.8 A); IEC AC input module with socket; mains switch; fan
6	1	Hot-swap fan tray, extractable, 1 U, 2 x 12 V _{DC} fan
7	1	Module to accommodate a slimline DVD drive unit
8	1	3 U, 8 HP module to accommodate a hard disk drive
9	1	Front panel, front, 3 U, 8 HP
10	1	Front panel, front, 3 U, 4 HP, removable, to expand system slot to 8 HP
11	1	Front panel, rear, 3 U, 24 HP
12	1	Front panel, rear, 3 U, 48 HP
13	1	Cable harness to connect all system components

Order Information

Height U	Height mm	Width HP	Depth mm	Number of slots	Part no.
4	177	84	275	8	24579-405

Accessories

Equipment cables	Page 3.38
Front panels	Page 7.5
Modules to mount drive units	Page 8.110
Front panels with handle	Page 7.32
Fan control modules (FCM)	Page 8.108

Note

- Modified systems available on request
- System in accordance with IEC 60297-3-101, -102, -103; IEEE 1101.1, 1101.10/11; backplane in accordance with PICMG 2.0 rev. 3.0 and 2.30



ServicePLUS see page 8.112



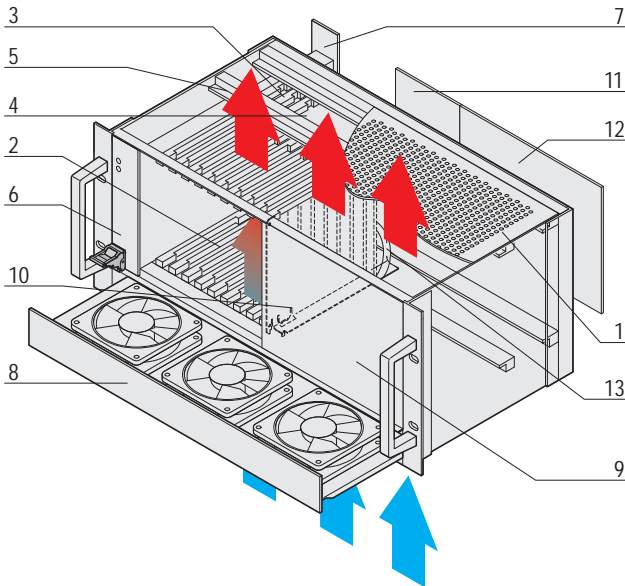
Open Modular Computing Specifications

Systems - CompactPCI PlusIO subrack systems

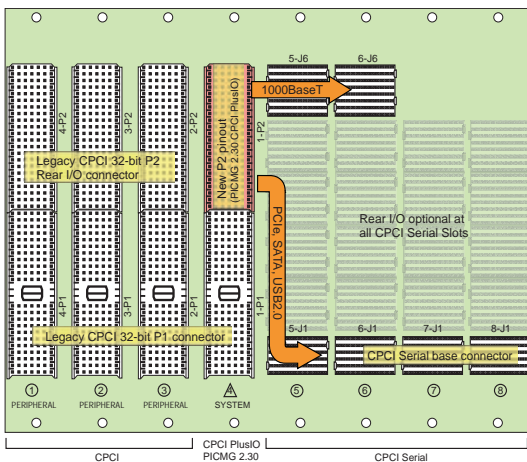
4 U, 8 slot, with rear I/O,
19"-compatible PSU



12309005



12309053



12409051

Backplane topology



ServicePLUS see page 8.112



- System for vertical board mounting with board format
 - Front: 3 U, 160 mm deep, 8 slot
 - Rear, rear I/O: 3 U, 80 mm deep, 3 slot
- Backplane
 - 4 slot, 3 U, 32 bit, CompactPCI
 - 4 slot, 3 U, CompactPCI PlusIO
 - Power backplane
- 19"-compatible PSU, 250 W, 3 U, 8 HP
- Heat dissipation by 1 U hot-swap fan unit, from bottom to top
- Option to mount a hard disk

NEW

Delivery comprises (completely assembled, wired and tested)

Item	Qty	Description
1	1	Shielded 19" chassis, Al; perforated top cover and base plate; front handles
2	8	Front slot; IEEE guide rails, incl. ESD clips (ESD clips fitted to bottom front), for vertical boards (3 U, 160 mm deep)
3	3	Rear slot; IEEE guide rails, incl. ESD clips (ESD clips fitted to bottom), for vertical rear I/O boards (3 U, 80 mm deep)
4	1	Backplane for 3 U boards; 8 slots comprising 4 slots 32-bit CompactPCI plus 4 slots CompactPCI PlusIO (PICMG 2.30, part no. 23007-601)
5	1	Power backplane, 3 U, 8 HP with 1 x P47 connector (part no. 23098-105)
6	1	19" compatible power supply, 250 W (3 U, 8 HP, part no. 13100-141)
7	1	AC input module, 3 U, 8 HP; AC line filter, 110 ... 250 V _{AC} , 50 ... 60 HZ, max. current 10 A
8	1	Hot-swap fan tray, extractable, 1 U, 3 x 12 V _{DC} fans
9	1	Front panel front, 3 U, 44 HP
10	1	Air baffle, 3 U, 160 mm deep
11	1	Front panel, rear, 3 U, 60 HP
12	1	Front panel, rear, 3 U, 4 HP
13	1	Cable harness to connect all system components

Order Information

Height U	Height mm	Width HP	Depth mm	Number of slots	Part no.
4	177	84	275	8	24579-400

Accessories

Equipment cables	Page 3.38
Front panels	Page 7.5
Modules to mount drive units	Page 8.110
Front panels with handle	Page 7.32
Fan control modules (FCM)	Page 8.108

Note

- Modified systems available on request
- System in accordance with IEC 60297-3-101, -102, -103; IEEE 1101.1, 1101.10/11; backplane in accordance with PICMG 2.0 rev. 3.0 and 2.30



For further information www.schroff.biz/oneclick
oneClick search code = Part no.

Systems - CompactPCI PlusIO subrack systems

4 U, 8 slot, 44 HP, with rear I/O



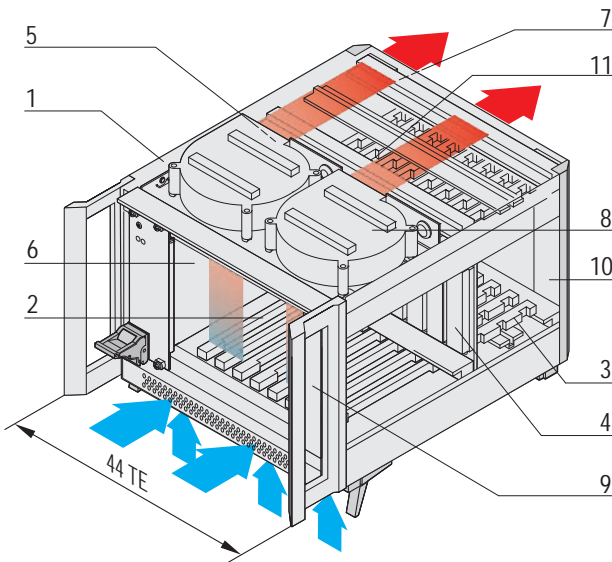
12312001

- System for vertical board mounting with board format
 - Front: 3 U, 160 mm deep
 - Rear I/O: 3 U, 80 mm deep, 3 slot
- Backplane
 - 4 slot, 3 U, 32 bit, CompactPCI
 - 4 slot, 3 U, CompactPCI PlusIO
 - Power Backplane
- 19" PSU, 250 W, 3 U, 8 HP
- Heat dissipation by two radial fans, from front to rear

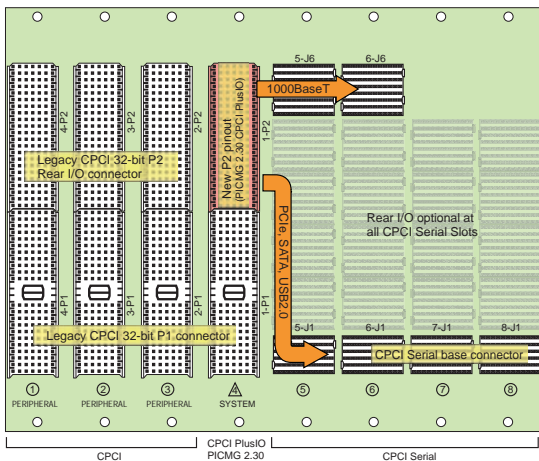
NEW

Delivery comprises (completely assembled, wired and tested)

Item	Qty	Description
1	1	ratiopacPRO-air case, RAL 9006, shielded, perforated air inlet/exhaust openings front and rear; front handles RAL 7016
2	8	Front slot; IEEE guide rails, incl. ESD clips (ESD clips fitted at bottom front), for vertical boards (3 U, 160 mm deep)
3	3	Rear slot; IEEE guide rails, incl. ESD clips (ESD clips fitted at bottom), for vertical rear I/O boards (3 U, 80 mm deep)
4	1	Backplane for 3 U boards; 8 slots comprising 4 slots 32-bit CompactPCI plus 4 slots CompactPCI PlusIO (PICMG 2.30, part no. 23007-601)
5	1	Power backplane, 3 U, 8 HP with 1 x P47 connector part no. 23098-105
6	1	19" compatible power supply, 250 W (3 U, 8 HP; part no. 13100-141)
7	1	AC input module, 3 U, 8 HP; AC line filter, 110 ... 250 V _{AC} , 50 ... 60 HZ, max. current 10 A
8	2	Radial fan, 36 m ³ /h each, free blowing
9	1	Front panel, front, 3 U, 4 HP, removable
10	1	Front panel, rear, 3 U, 24 HP
11	1	Cable harness to connect all system components



12309052



12409051

Height U	Height mm	Width HP	Depth mm	Number of slots	Part no.
4	177	44	275	8	24579-605

Accessories	
Equipment cables	Page 3.38
Front panels	Page 7.5
Modules to mount drive units	Page 8.110
Front panels with handle	Page 7.32
Fan control modules (FCM)	Page 8.108

Note

- Modified systems available on request
- System in accordance with IEC 60297-3-101, -102, -103; IEEE 1101.1, 1101.10/11; backplane in accordance with PICMG 2.0 rev. 3.0 and 2.30

Backplane topology



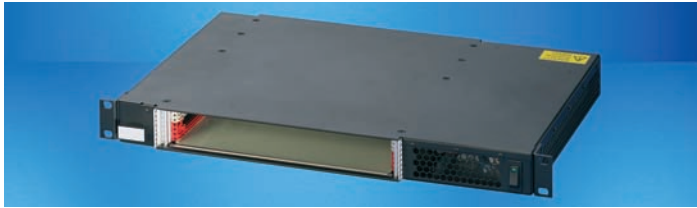
ServicePLUS see page 8.112



For further information www.schroff.biz/oneclick
oneClick search code = Part no.

Systems - CompactPCI subrack systems

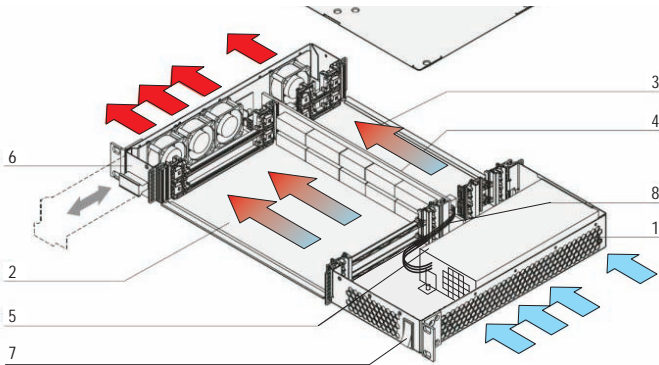
Systems, 1, 2, 3 U, with rear I/O and ATX PSU



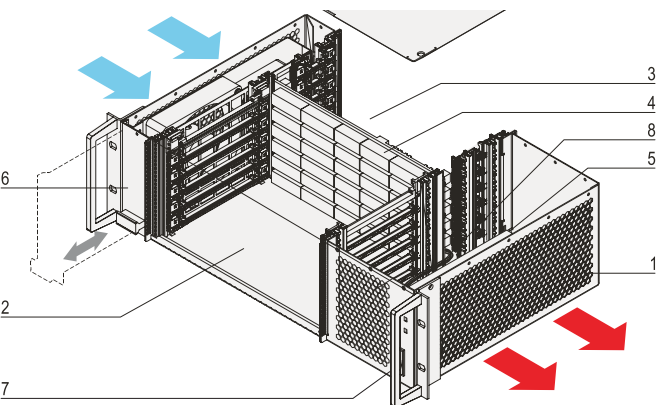
12305001



12305005



12304055



12304060

- System for horizontal board mounting with board format
 - Front: 6 U, 160 mm deep
 - Rear, rear I/O: 6 U, 80 mm deep
- Backplane: 2, 4, 6 slot, 64 bit; system slot on left
- ATX PSU
- Heat dissipation by extractable hot-swap fan unit;
 - in 1 U system from right to left;
 - in 2 and 3 U systems from left to right



Delivery comprises (completely assembled, wired and tested)

Item	Qty	Description
1	1	Shielded 19" chassis, St, powder-coated, black, RAL 9005
2	1	Number of front slots see Order Information; IEEE guide rails, incl. ESD clips (ESD clips fitted to front left), for horizontal board mounting (6 U, 160 mm deep)
3	1	Number of rear slots see Order Information; IEEE guide rails, incl. ESD clips (ESD clips fitted to front left), for horizontal mounting of rear I/O boards (6 U, 80 mm deep)
4	1	Backplane for 6 U boards, for number of slots see Order Information, 64 bit; system slot on the left
5	1	ATX PSU, wide input range 100 ... 240 V _{AC} (rating data see Order Information); IEC plug, switch (controls DC power only), LED (Power ON); Fan
6	1	Hot-swap fan unit, number of fans see Order Information
7	1	Mains switch
8	1	Cable harness to connect all system components

Note

- Modified systems available on request
- System in accordance with IEC 60297-3-101, -102, -103; IEEE 1101.1, 1101.10/11; backplane in accordance with PICMG 2.0 rev. 3.0 and 2.30



For further information www.schroff.biz/oneclick
oneClick search code = Part no.

Order Information

Height	Depth	Backplane	Fan unit	Power supply	Part no.
U	mm	Slots	Number of fans		
1	43.65	2 slot, 6 U	4	ATX 250 W, 3.3 V/14 A, 5 V/23 A, 12 V/16 A, -12 V/0.5 A	24579-077
2	88.10	4 slot, 6 U	2	ATX 250 W, 3.3 V/14 A, 5 V/20 A, 12 V/16 A, -12 V/0.8 A	24579-081
3	132.55	6 slot, 6 U	1 *)	ATX 300 W, 3.3 V/28 A, 5 V/35 A, 12 V/22 A, -12 V/0.8 A	24579-079

*) Systems with additional heat dissipation in rear I/O space for 3 U systems available on request



ServicePLUS see page 8.112

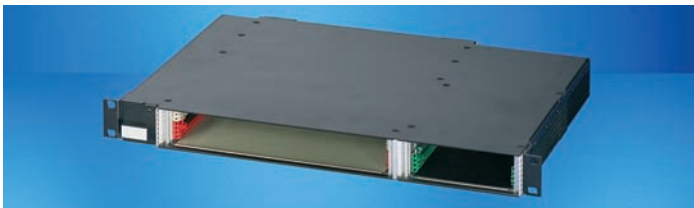


Accessories

Equipment cables	Page 3.38
Front panels	Page 7.5
Modules to mount drive units	Page 8.110
Front panels with handle	Page 7.32
Fan control modules (FCM)	Page 8.108

Systems - CompactPCI subrack systems

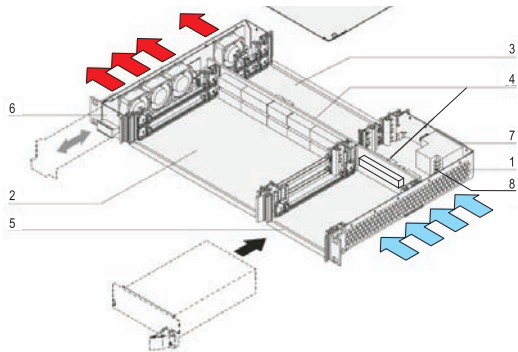
Systems, 1, 2, 3, 4 U, with rear I/O, for 19" PSU



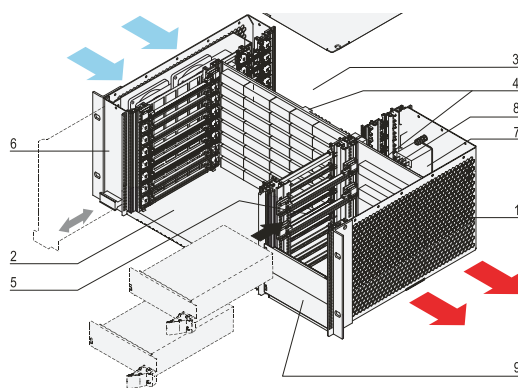
12305002



12305007



12304056



12305050

- System for horizontal board mounting with board format
 - Front: 6 U, 160 mm deep
 - Rear, rear I/O: 6 U, 80 mm deep
- Monolithic backplane for signals and power
 - 2, 4, 6, 8 slot, 6 U, 64 bit; system slot on left
 - Power plug to PICMG 2.11 (P 47)
- Prepared for installation of 19" CompactPCI PSUs (3 U, 8 HP)
- Heat dissipation by extractable hot swap fan unit; 1 U system from right to left; in 2, 3 and 4 U systems from left to right

Delivery comprises (completely assembled, wired and tested)

Item	Qty	Description
1	1	Shielded 19" chassis, St, powder-coated, black, RAL 9005
2	1	Number of slots to front see Order Information; IEEE guide rails, incl. ESD clips (ESD clips fitted front right), for horizontal board mounting (6 U, 160 mm deep)
3	1	Number of rear slots see Order Information; IEEE guide rails, incl. ESD clips (ESD clips fitted front right), for horizontal mounting of rear I/O boards (6 U, 80 mm deep)
4	1	Monolithic backplane for 6 U boards and voltage supply, for number of slots see Order Information, 64 bit; system slot left, in accordance with PICMG 2.0 rev. 3.0, voltage supply: 1 x P 47 socket for 1 U, 2 x P 47 socket for 2, 3, 4 U
5	1	Installation space for 19" CompactPCI power supply unit (3 U, 8 HP; For quantity see Order Information)
6	1	Hot-swap fan unit, number of fans see Order Information
7	1	AC input (IEC plug), mains filter module, fuse, mains switch
8	1	Cable harness to connect all system components
9	1	3 U, 8 HP front panel, mounted at front, from 2 U system

Note

- Modified systems available on request
- 48 V_{DC} version on request
- System in accordance with IEC 60297-3-101, -102, -103; IEEE 1101.1, 1101.10/11; backplane in accordance with PICMG 2.0 rev. 3.0 and 2.30

Order Information

Height U	Height mm	Depth mm	Backplane Slots	Fan unit Number of fans	Power supply (please order separately)	Quantity Connector type	Part no.
1	43.65	275	2 slot, 6 U	4	1	1 x P 47	24579-078
2	88.10	275	4 slot, 6 U	2	2	2 x P 47	24579-082
3	132.50	275	6 slot, 6 U	1 *)	2 ... 3	2 x P 47	24579-080
4	177.00	275	8 slot, 6 U	4 *)	2 ... 4	2 x P 47	24579-106

19" compatible power supply, 250 W, 3 U, 8 HP Please order PSU separately, see page 9.22 13100-141

*) Systems with additional heat dissipation in rear I/O space for 3 U and 4 U systems available on request

Accessories

Equipment cables	Page 3.38
Front panels	Page 7.5
Modules to mount drive units	Page 8.110
Front panels with handle	Page 7.32
Fan control modules (FCM)	Page 8.108



ServicePLUS see page 8.112

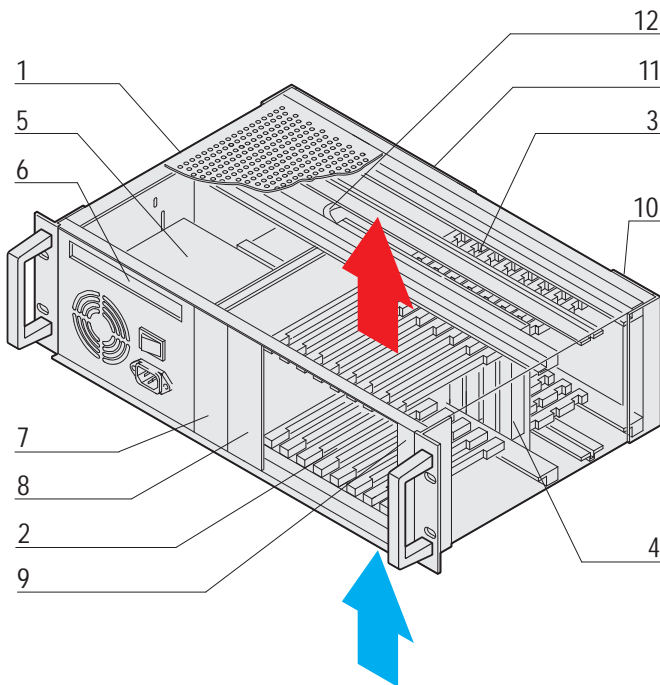


Systems - CompactPCI subrack systems

System, 3 U, 8 slot, with rear I/O



12302002



12303053

- System for vertical board mounting with board format
 - Front: 3 U, 160 mm deep
 - Rear, rear I/O: 3 U, 80 mm deep
- Backplane
 - 8 slot, 3 U, 32 bit; system slot on right
 - 8 HP wide CPU can be used
- ATX PSU, 300 W
- Heat dissipation by convection, upward from below
- Option to mount a slimline DVD drive and hard disk

Delivery comprises (completely assembled, wired and tested)

Item	Qty	Description
1	1	Shielded 19" chassis, AI; perforated top cover and base plate; 2 front handles
2	8	Front slot; IEEE guide rails, incl. ESD clips (ESD clips fitted bottom front), for vertical boards (3 U, 160 mm deep)
3	8	Rear slot; IEEE guide rails, incl. ESD clips (ESD clips fitted bottom), for vertical rear I/O boards (3 U, 80 mm deep)
4	1	Backplane for 3 U boards; 8 slot, 32 bit (part no. 23006-818); system slot on right, 4 HP (8 HP wide CPU can be used)
5	1	ATX power supply; 300 W; 32 HP, wide input range 100 ... 240 V _{AC} (3.3 V/28 A, 5 V/35 A, 12 V/22 A, -12 V/0.8 A); IEC AC input module with socket; mains switch; fan
6	1	Module to accommodate a slimline DVD drive unit
7	1	3 U, 8 HP module to accommodate a hard disk drive
8	1	Front panel front, 3 U, 8 HP
9	1	Front panel, front, 3 U, 4 HP, to expand system slot to 8 HP
10	1	Front panel, rear, 3 U, 4 HP
11	1	Front panel, rear, 3 U, 48 HP
12	1	Cable harness to connect all system components

Order Information

Height U	Height mm	Depth mm	Number of slots	Part no.
3	132.55	275	8	24579-031

Accessories

DC fan 12 V, air flow volume 140 m ³ /h, 119 x 119 x 32 mm, 1 piece	60713-600
Fan retainer for 119 x 119 x 32 mm fan, (E)PB foam, 1 piece	24579-212
Fan tray, 1 U for 3 or 6 U CompactPCI systems (boards assembled vertically), 1 piece	24579-105
Air filter consisting of filter holder and filter mat, PU 1 set	24579-033
Equipment cables	Page 3.38
Front panels	Page 7.5
Modules to mount drive units	Page 8.110
Front panels with handle	Page 7.32
Fan control modules (FCM)	Page 8.108

Note

- Modified systems available on request
- System in accordance with IEC 60297-3-101, -102, -103; IEEE 1101.1, 1101.10/11; backplane in accordance with PICMG 2.0 rev. 3.0 and 2.30



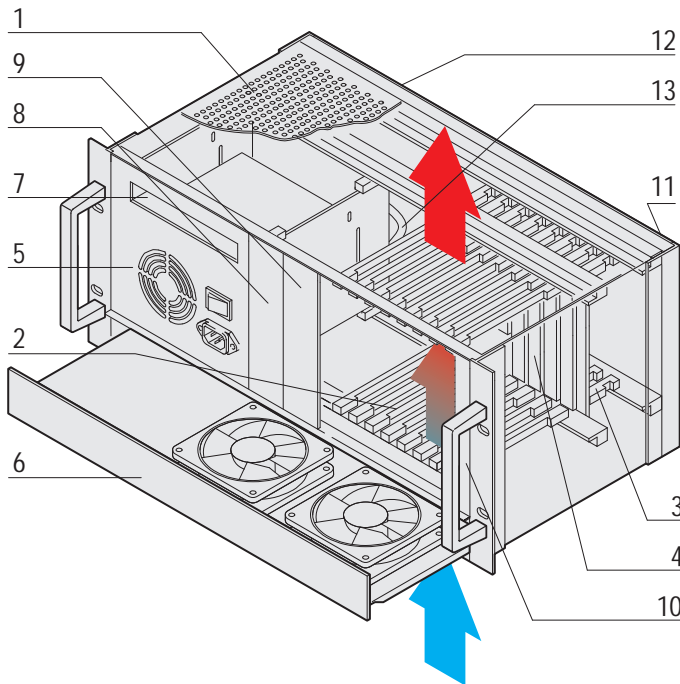
ServicePLUS see page 8.112

Systems - CompactPCI subrack systems

System, 4 U, 8 slot, with rear I/O,
ATX frame PSU



12308001



12308050

- System for vertical board mounting with board format
 - Front: 3 U, 160 mm deep
 - Rear, rear I/O: 3 U, 80 mm deep
- Backplane
 - 8 slot, 3 U, 32 bit; system slot on right
 - 8 HP wide CPU can be used
- ATX PSU, 300 W
- Heat dissipation by 1 U hot-swap fan unit, upward from below
- Option to mount a slimline DVD drive and hard disk

Delivery comprises (completely assembled, wired and tested)

Item	Qty	Description
1	1	Shielded 19" chassis, AI; perforated top cover and base plate; front handles
2	8	Front slot; IEEE guide rails, incl. ESD clips (ESD clips fitted to bottom front), for vertical boards (3 U, 160 mm deep)
3	8	Rear slot; IEEE guide rails, incl. ESD clips (ESD clips fitted to bottom), for vertical rear I/O boards (3 U, 80 mm deep)
4	1	Backplane for 3 U boards; 8 slot, 32 bit (part no. 23006-818); system slot on right, 4 HP (8 HP wide CPU can be used)
5	1	ATX power supply, 300 W; 32 HP, wide input range 100 ... 240 V _{AC} (3.3 V/28 A, 5 V/35 A, 12 V/22 A, -12 V/0.8 A); IEC AC input module with socket; mains switch; fan
6	1	Hot-swap fan tray, extractable, 1 U, 2 x 12 V _{DC} fans
7	1	Module to accommodate a slimline DVD drive unit
8	1	Module to accommodate a CD ROM drive, 3 U, 8 HP
9	1	Front panel, front, 3 U, 8 HP
10	1	Front panel, front, 3 U, 4 HP, removable, to expand system slot to 8 HP
11	1	Front panel, rear, 3 U, 4 HP
12	1	Front panel, rear, 3 U, 48 HP
13	1	Cable harness to connect all system components

Order Information

Height U	Height mm	Width HP	Depth mm	Number of slots	Part no.
4	177	84	275	8	24579-250

Accessories

Air filter consisting of filter holder and filter mat, PU 1 set	24579-033
Equipment cables	Page 3.38
Front panels	Page 7.5
Modules to mount drive units	Page 8.110
Front panels with handle	Page 7.32
Fan control modules (FCM)	Page 8.108

Note

- Modified systems available on request
- System in accordance with IEC 60297-3-101, -102, -103; IEEE 1101.1, 1101.10/11; backplane in accordance with PICMG 2.0 rev. 3.0 and 2.30



For further information www.schroff.biz/oneclick
oneClick search code = Part no.



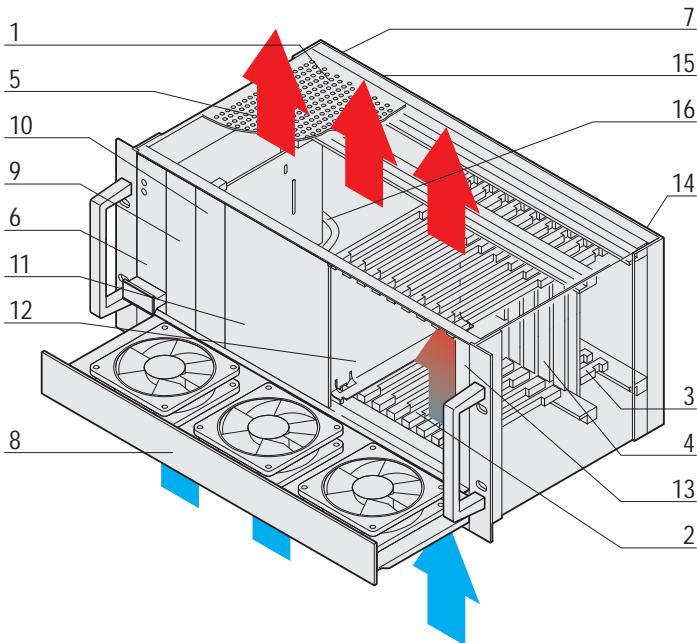
ServicePLUS see page 8.112

Systems - CompactPCI subrack systems

System, 4 U, 8 slot, with rear I/O,
19"-compatible PSU



1230805



12308052

- System for vertical board mounting with board format
 - Front: 3 U, 160 mm deep
 - Rear, rear I/O: 3 U, 80 mm deep
- Backplane
 - 8 slot, 3 U, 32 bit; system slot on right
 - 8 HP wide CPU can be used, power backplane
- 19"-compatible PSU, 250 W, 3 U, 8 HP
- Heat dissipation by 1 U hot-swap fan unit, from bottom to top
- Option to mount a hard disk

Delivery comprises (completely assembled, wired and tested)

Item	Qty	Description
1	1	Shielded 19" chassis, Al; perforated top cover and base plate; front handles
2	8	Front slot; IEEE guide rails, incl. ESD clips (ESD clips fitted to bottom front), for vertical boards (3 U, 160 mm deep)
3	8	Rear slot; IEEE guide rails, incl. ESD clips (ESD clips fitted to bottom), for vertical rear I/O boards (3 U, 80 mm deep)
4	1	Backplane for 3 U boards; 8 slot, 32 bit (part no. 23006-818); system slot on right, 4 HP (8 HP wide CPU can be used)
5	1	Power backplane, 3 U, 8 HP with 1 x P47 plug
6	1	19" compatible power supply, 250 W (3 U, 8 HP; part no. 13100-141)
7	2	AC input module, 3 U, 8 HP; AC line filter, 110 ... 250 V _{AC} , 50 ... 60 HZ, max. current 10 A
8	1	Hot-swap fan tray, extractable, 1 U, 3 x 12 V _{DC} fans
9	1	Front panel front, 3 U, 8 HP
10	1	3 U, 8 HP module to accommodate a hard disk drive
11	1	Front panel front, 3 U, 24 HP
12	1	Air baffle, 3 U, 160 mm deep
13	1	Front panel, front, 3 U, 4 HP, removable, to expand system slot to 8 HP
14	1	Front panel, rear, 3 U, 4 HP
15	1	Front panel, rear, 3 U, 40 HP
16	1	Cable harness to connect all system components

Order Information

Height U	Height mm	Width HP	Depth mm	Number of slots	Part no.
4	177	84	275	8	24579-260

Accessories

Air filter consisting of filter holder and filter mat, PU 1 set	24579-033
Equipment cables	Page 3.38
Front panels	Page 7.5
Modules to mount drive units	Page 8.110
Front panels with handle	Page 7.32
Fan control modules (FCM)	Page 8.108

Note

- Modified systems available on request
- System in accordance with IEC 60297-3-101, -102, -103; IEEE 1101.1, 1101.10/11; backplane in accordance with PICMG 2.0 rev. 3.0 and 2.30



Open Modular
Computing Specifications



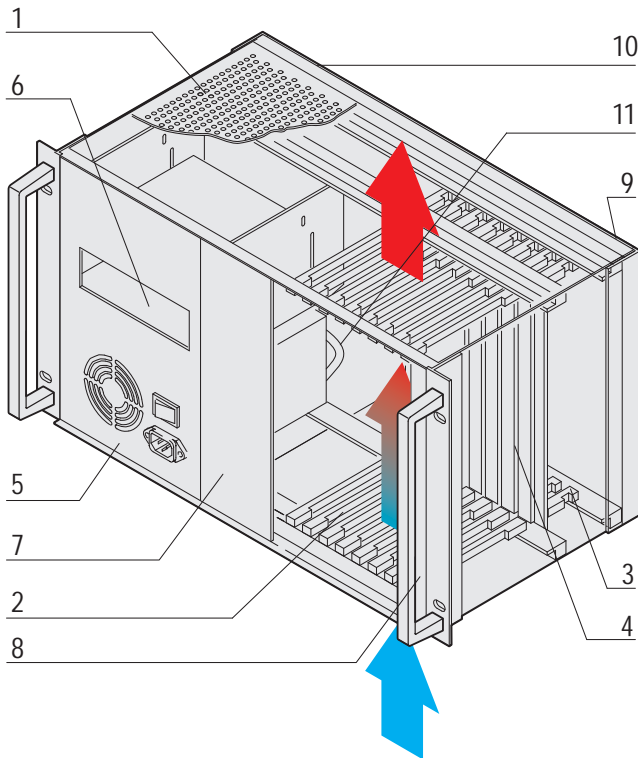
ServicePLUS see page 8.112

Systems - CompactPCI subrack systems

6 U, 8 slot, with rear I/O



12302004



12303056



Open Modular
Computing Specifications



ServicePLUS see page 8.112

- System for vertical board mounting with board format
 - Front: 6 U, 160 mm deep
 - Rear, rear I/O: 6 U, 80 mm deep
- Backplane
 - 8 slot, 6 U, 64 bit; system slot to right
 - 8 HP wide CPU can be used
- ATX PSU, 300 W
- Heat dissipation by convection, from bottom to top
- Option to mount a 5.25" DVD drive unit

Delivery comprises (completely assembled, wired and tested)

Item	Qty	Description
1	1	Shielded 19" chassis, AI; perforated top cover and base plate; 2 front handles
2	8	Front slot; IEEE guide rails, incl. ESD clips (ESD clips fitted to bottom front), for vertical boards (6 U, 160 mm deep)
3	8	Rear slot; IEEE guide rails, incl. ESD clips (ESD clips fitted to bottom), for vertical rear I/O boards (6 U, 80 mm deep)
4	1	Backplane for 6 U boards; 8 slot, 64 bit (part no. 23006-868); system slot on right, 4 HP (8 HP wide CPU can be used)
5	1	ATX power supply, 300 W, 32 HP, wide input range 100 ... 240 V _{AC} (3.3 V/28 A, 5 V/35 A, 12 V/22 A, -12 V/0.8 A); IEC AC input module with socket; mains switch; fan
6	1	Module to accommodate a 5.25" DVD drive
7	1	Front panel, front, 6 U, 16 HP
8	1	Front panel, front, 6 U, 4 HP, removable, to expand system slot to 8 HP
9	1	Front panel, rear, 6 U, 4 HP
10	1	Front panel, rear, 6 U, 48 HP
11	1	Cable harness to connect all system components

Order Information

Height U	Height mm	Depth mm	Number of slots	Part no.
6	265.9	275	8	24579-030

Accessories

DC fan 12 V, air flow volume 140 m ³ /h, 119 x 119 x 32 mm, 1 piece	60713-600
Fan retainer for 119 x 119 x 32 mm fan, (E)PB foam, 1 piece	24579-212
Fan tray, 1 U for 3 or 6 U CompactPCI systems (boards assembled vertically), 1 piece	24579-105
Air filter consisting of filter holder and filter mat, PU 1 set	24579-033
Equipment cables	Page 3.38
Front panels	Page 7.5
Modules to mount drive units	Page 8.110
Front panels with handle	Page 7.32
Fan control modules (FCM)	Page 8.108

Note

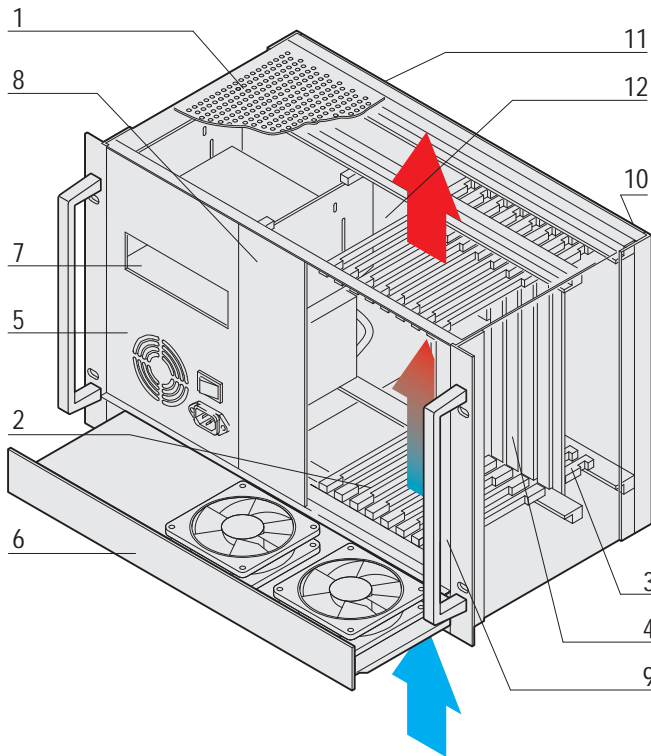
- Modified systems available on request
- System in accordance with IEC 60297-3-101, -102, -103; IEEE 1101.1, 1101.10/11; backplane in accordance with PICMG 2.0 rev. 3.0 and 2.30

Systems - CompactPCI subrack systems

System, 7 U, 8 slot, with rear I/O



12302013



12303057

- System for vertical board mounting with board format
 - Front: 6 U, 160 mm deep
 - Rear, rear I/O: 6 U, 80 mm deep
- Backplane
 - 8 slot, 6 U, 64 bit, system slot to right
 - 8 HP wide CPU can be used
- ATX PSU, 300 W
- Heat dissipation by 1 U hot-swap fan unit, from bottom to top
- Option to mount a 5.25" DVD drive unit

Delivery comprises (completely assembled, wired and tested)

Item	Qty	Description
1	1	Shielded 19" chassis, Al; perforated top cover and base plate; Front handles
2	8	Front slot; IEEE guide rails, incl. ESD clips (ESD clips fitted to bottom front), for vertical boards (6 U, 160 mm deep)
3	8	Rear slot; IEEE guide rails, incl. ESD clips (ESD clips fitted to bottom), for vertical rear I/O boards (6 U, 80 mm deep)
4	1	Backplane for 6 U boards; 8 slot, 64 bit (part no. 23006-868 ; system slot on right, 4 HP (8 HP wide CPU can be used)
5	1	ATX power supply, 300 W, 32 HP, wide input range 100 ... 240 V _{AC} (3.3 V/28 A, 5 V/35 A, 12 V/22 A, -12 V/0.8 A); IEC AC input module with socket; mains switch; fan
6	1	Hot-swap fan tray, extractable, 1 U, 2 x 12 V _{DC} fans
7	1	Module to accommodate a 5.25" DVD drive
8	1	Front panel, front, 6 U, 16 HP
9	1	Front panel, front, 6 U, 4 HP, removable, to expand system slot to 8 HP
10	1	Front panel, rear, 6 U, 4 HP
11	1	Front panel, rear, 6 U, 48 HP
12	1	Cable harness to connect all system components

Order Information

Height U	Height mm	Depth mm	Number of slots	Part no.
7	310.35	275	8	24579-026

Accessories

Air filter consisting of filter holder and filter mat, PU 1 set	24579-033
Equipment cables	Page 3.38
Front panels	Page 7.5
Modules to mount drive units	Page 8.110
Front panels with handle	Page 7.32
Fan control modules (FCM)	Page 8.108

Note

- Modified systems available on request
- System in accordance with IEC 60297-3-101, -102, -103; IEEE 1101.1, 1101.10/11; backplane in accordance with PICMG 2.0 rev. 3.0 and 2.30



For further information www.schroff.biz/oneclick
oneClick search code = Part no.



Open Modular
Computing Specifications



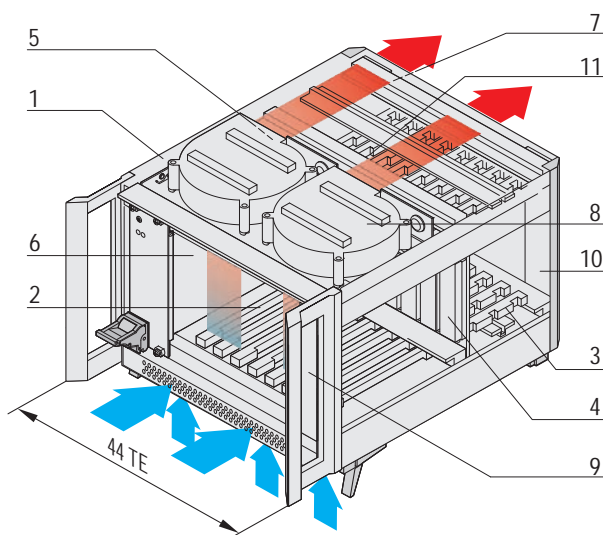
ServicePLUS see page 8.112

Systems - CompactPCI case systems

System, 4 U, 8 slot, 44 HP,
with rear I/O



12309003



12309052

- System for vertical board mounting with board format
 - Front: 3 U, 160 mm deep
 - Rear, rear I/O: 3 U, 80 mm deep
- Backplane
 - 8 slot, 3 U, 32 bit, system slot on right
 - 8 HP wide CPU can be used
- 19" PSU, 250 W, 3 U, 8 HP
- Heat dissipation by two radial fans, from front to rear

NEW

Delivery comprises (completely assembled, wired and tested)

Item	Qty	Description
1	1	ratiopacPRO-air case, RAL 9006, shielded, perforated air inlet/exhaust openings front and rear; front handles RAL 7016
2	8	Front slot; IEEE guide rails, incl. ESD clips (ESD clips fitted to bottom front), for vertical boards (3 U, 160 mm deep)
3	8	Rear slot; IEEE guide rails, incl. ESD clips (ESD clips fitted to bottom), for vertical rear I/O boards (3 U, 80 mm deep)
4	1	Backplane for 3 U boards; 8 slot, 32 bit (part no. 23006-818); system slot on right, 4 HP (8 HP wide CPU can be used)
5	1	Power backplane, 3 U, 8 HP with 1 x P47 plug
6	1	19" compatible power supply, 250 W (3 U, 8 HP; Part no. 13100-141)
7	1	AC input module, 3 U, 8 HP; AC line filter, 110 ... 250 V _{AC} , 50 ... 60 HZ, max. current 10 A
8	2	Radial fan, 36 m ³ /h each, free blowing
9	1	Front panel, front, 3 U, 4 HP, removable, to expand system slot to 8 HP
10	1	Front panel, rear, 3 U, 4 HP
11	1	Cable harness to connect all system components

Order Information

Height U	Height mm	Width HP	Depth mm	Number of slots	Part no.
4	177	44	275	8	24579-604

Accessories

Equipment cables	Page 3.38
Front panels	Page 7.5
Modules to mount drive units	Page 8.110
Front panels with handle	Page 7.32
Fan control modules (FCM)	Page 8.108

Note

- Modified systems available on request
- System in accordance with IEC 60297-3-101, -102, -103; IEEE 1101.1, 1101.10/11); Backplane, conforms to PICMG 2.0 rev. 3.0



For further information www.schroff.biz/oneclick
oneClick search code = Part no.



Open Modular
Computing Specifications



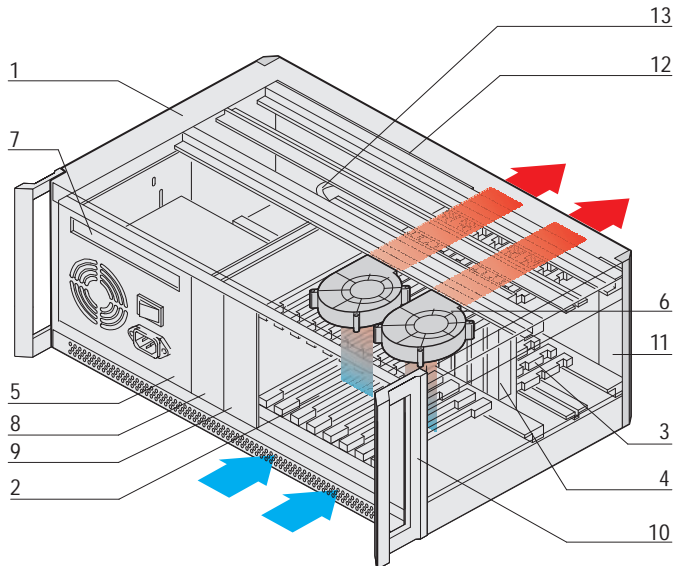
ServicePLUS see page 8.112

Systems - CompactPCI case systems

System, 4 U, 8 slot, with rear I/O



12304002



12304050

- System for vertical board mounting with board format
 - Front: 3 U, 160 mm deep
 - Rear, rear I/O: 3 U, 80 mm deep
- Backplane
 - 8 slot, 3 U, 32 bit, system slot to right
 - 8 HP wide CPU can be used
- ATX PSU, 300 W
- Heat dissipation by two radial fans, front to rear
- Option to mount a slimline DVD drive and hard disk

Delivery comprises (completely assembled, wired and tested)

Item	Qty	Description
1	1	ratiopacPRO-air case, RAL 9006, shielded, perforated air inlet/exhaust openings front and rear; front handles RAL 7016
2	8	Front slot; IEEE guide rails, incl. ESD clips (ESD clips fitted to bottom front), for vertical boards (3 U, 160 mm deep)
3	8	Rear slot; IEEE guide rails, incl. ESD clips (ESD clips fitted to bottom), for vertical rear I/O boards (3 U, 80 mm deep)
4	1	Backplane for 3 U boards; 8 slot, 32 bit (part no. 23006-818); system slot on right, 4 HP (8 HP wide CPU can be used)
5	1	ATX power supply, 300 W, wide range input 100 ... 240 V _{AC} , (3.3 V/28 A, 5 V/35 A, 12 V/22 A, -12 V/0.8 A); IEC AC input module with socket; mains switch; fan; 32 HP
6	2	Radial fan, 36 m ³ /h each, free blowing
7	1	Module to accommodate a slimline DVD drive unit
8	1	3 U, 8 HP module to accommodate a hard disk drive
9	1	Front panel, front, 3 U, 8 HP
10	1	Front panel, front, 3 U, 4 HP, removable, to expand system slot to 8 HP
11	1	Front panel, rear, 3 U, 4 HP
12	1	Front panel, rear, 3 U, 48 HP
13	1	Cable harness to connect all system components

Order Information

Height U	Height mm	Depth mm	Number of slots	Part no.
4	177	275	8	24579-602

Accessories

Spare fan unit Air barrier with 2 fitted radial fans, 1 piece	24579-225
Equipment cables	Page 3.38
Front panels	Page 7.5
Modules to mount drive units	Page 8.110
Front panels with handle	Page 7.32
Fan control modules (FCM)	Page 8.108

Note

- Modified systems available on request
- System in accordance with IEC 60297-3-101, -102, -103; IEEE 1101.1, 1101.10/11); Backplane, conforms to PICMG 2.0 rev. 3.0



Open Modular
Computing Specifications



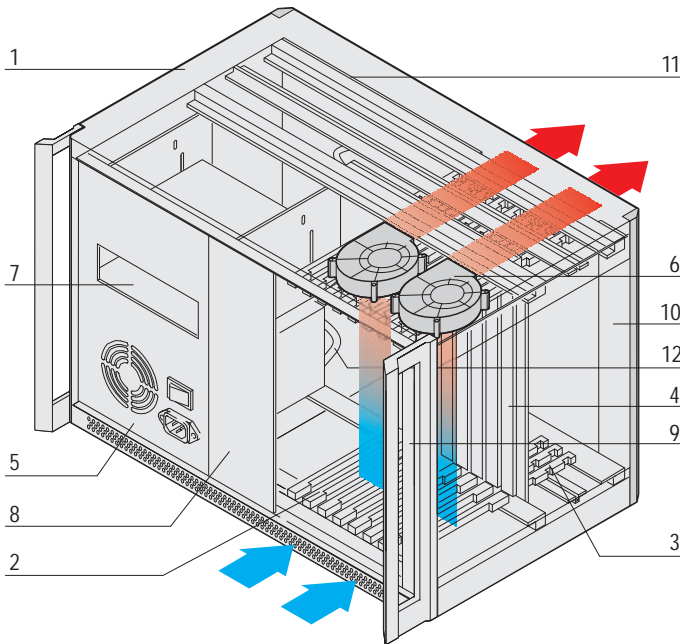
ServicePLUS see page 8.112

Systems - CompactPCI case systems

Systems, 7 U, 8 slot, with rear I/O



12304003



12304051

- System for vertical board mounting with board format
 - Front: 6 U, 160 mm deep
 - Rear, rear I/O: 6 U, 80 mm deep
- Backplane
 - 8 slot, 6 U, 64 bit, system slot to right
 - 8 HP wide CPU can be used
- ATX PSU, 300 W
- Heat dissipation by two radial fans, from front to rear
- Option to mount a 5.25" DVD drive unit

Delivery comprises (completely assembled, wired and tested)

Item	Qty	Description
1	1	ratiopacPRO-air case, RAL 9006, shielded, perforated air inlet/exhaust openings front and rear; front handles RAL 7016
2	8	Front slot; IEEE guide rails, incl. ESD clips (ESD clips fitted to bottom front), for vertical boards (6 U, 160 mm deep)
3	8	Rear slot; IEEE guide rails, incl. ESD clips (ESD clips fitted to bottom), for vertical rear I/O boards (6 U, 80 mm deep)
4	1	Backplane for 6 U boards; 8 slot, 64 bit (part no. 23006-868); system slot on right, 4 HP (8 HP wide CPU can be used)
5	1	ATX power supply, 300 W, wide input range 100 ... 240 V _{AC} (3.3 V/28 A, 5 V/35 A, 12 V/22 A, -12 V/0.8 A); IEC-plug; mains switch; fan; 32 HP
6	2	Radial fan, 36 m ³ /h each, free blowing
7	1	Module to accommodate a 5.25" DVD drive
8	1	Front panel, front, 6 U, 16 HP, for fitting a hard disk drive
9	1	Front panel, front, 6 U, 4 HP, removable, to expand width of system slot to 8 HP
10	1	Front panel, rear, 6 U, 4 HP
11	1	Front panel, rear, 6 U, 48 HP
12	1	Cable harness to connect all system components

Order Information

Height U	Height mm	Depth mm	Number of slots	Part no.
7	310.35	275	8	24579-612

Accessories

Spare fan unit Air barrier with 2 fitted radial fans, 1 piece	24579-225
Equipment cables	Page 3.38
Front panels	Page 7.5
Modules to mount drive units	Page 8.110
Front panels with handle	Page 7.32
Fan control modules (FCM)	Page 8.108

Note

- Modified systems available on request
- System in accordance with IEC 60297-3-101, -102, -103; IEEE 1101.1, 1101.10/11); Backplane, conforms to PICMG 2.0 rev. 3.0



For further information www.schroff.biz/oneclick
oneClick search code = Part no.



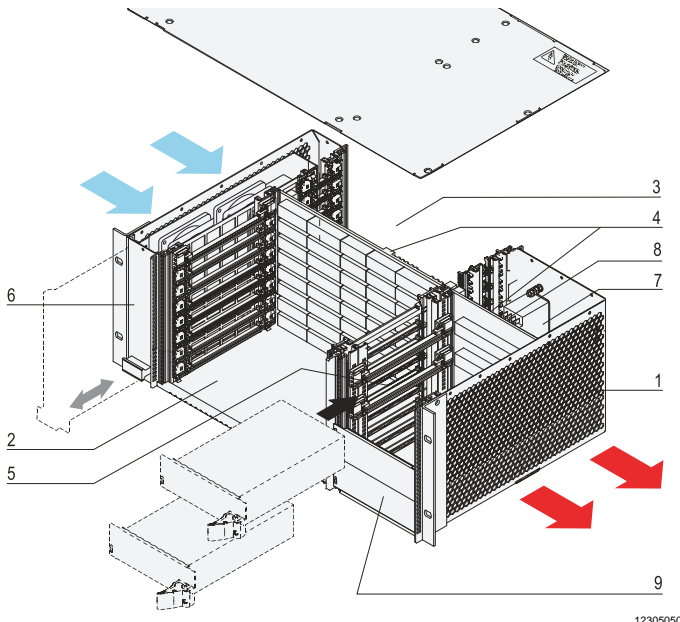
ServicePLUS see page 8.112

Systems - CompactPCI subrack systems, telecoms

System, 4 U, 8 slot, with rear I/O, for telecoms applications



12306003



12305050

- System for horizontal board mounting with board format
 - Front: 6 U, 160 mm deep
 - Rear, rear I/O: 6 U, 80 mm deep
- Monolithic backplane for (signals and power) 64-bit CompactPCI; PSB (**P**ackage **S**witched **B**ackplane), PICMG 2.16; H.110
 - 8 slot, 6 U, 64 bit CompactPCI (2 fabric/switch slots, 6 node slots H.110), system slot to left
 - Integrated power backplane with 2 x P 47 connectors
- Prepared to accept two 19" CompactPCI PSUs 250 W (3 U, 8 HP)
- Heat dissipation by extractable hot-swap fan unit, from left to right

Delivery comprises (completely assembled, wired and tested)

Item	Qty	Description
1	1	Shielded 19" chassis, St, powder-coated, black, RAL 9005
2	8	Front slot; IEEE guide rails, incl. ESD clips (ESD clips fitted to front right), for horizontal board mounting (6 U, 160 mm deep)
3	8	Rear slot; IEEE guide rails, incl. ESD clips (ESD clips fitted to front right), for horizontal mounting of rear I/O boards (6 U, 80 mm deep)
4	1	Backplane for 6 U boards and voltage supply (2 x P 47 sockets); 64-bit CompactPCI; PSB, 2 fabric/switch slots; 6 node H.110 bus slots; part no. 23006-611
5	-	Prepared to accommodate two 19" CompactPCI PSUs (250 W, 3 U, 8 HP), part no. 13100-141
6	1	Hot-swap fan unit, 4 fans, each 109 m ³ /h (64 cfm)
7	1	AC input (IEC plug), mains filter module, fuse, mains switch
8	1	Cable harness to connect all system components
9	2	Front panel front, 3 U, 8 HP

Order Information

Height U	Height mm	Depth mm	Number of slots	Part no.
4	177	275	8	24579-135

Accessories

19" compatible power supply, 250 W, 3 U, 8 HP Please order PSU separately, see page 9.22	13100-141
Fan tray for black systems, to ventilate rear I/O space 7 fans	24579-112
Equipment cables	Page 3.38
Front panels	Page 7.5
Modules to mount drive units	Page 8.110
Front panels with handle	Page 7.32
Fan control modules (FCM)	Page 8.108

Note

- Modified systems available on request
- System in accordance with IEC 60297-3-101, -102, -103; IEEE 1101.1, 1101.10/11); Backplane, conforms to PICMG 2.16



For further information www.schroff.biz/oneclick
oneClick search code = Part no.



Open Modular
Computing Specifications



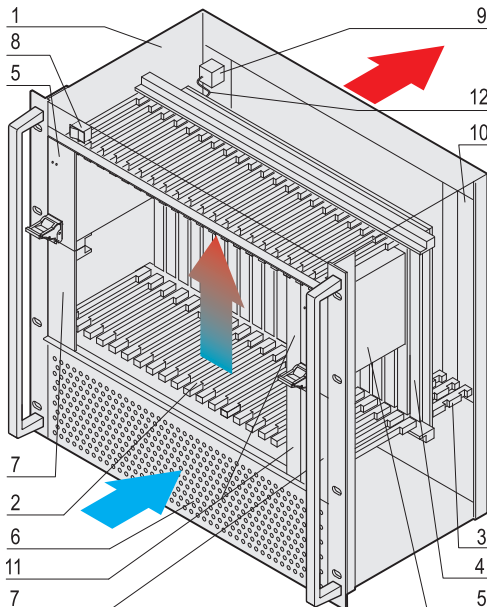
ServicePLUS see page 8.112

Systems - CompactPCI subrack systems, telecoms

System, 10 U, 16 slot, with rear I/O, for telecoms applications



12302005



12303058

- System for vertical board mounting with board format
 - Front: 6 U, 160 mm deep
 - Rear, rear I/O: 6 U, 80 mm deep
- Backplane, PSB (**package switched backplane**), PICMG 2.16
 - 16-slot, 6 U, 64 bit (2 fabric/switch slots, 14 node slots)
- Two 19" CompactPCI power supplies, 250 W (3 U, 8 HP), prepared for installation of two further 19" compatible PSUs
- Heat dissipation by fan module, from front to rear
- Prepared for system monitoring with a chassis monitoring module (CMM)

Delivery comprises (completely assembled, wired and tested)

Item	Qty	Description
1	1	Shielded 19" chassis, Al; perforated front panel to front and rear, 19" bracket in RAL 9006; remaining parts passivated in aluminium; front handles (RAL 9005)
2	16	Front slot; IEEE guide rails, incl. ESD clips (ESD clips fitted to bottom front), for vertical boards (6 U, 160 mm deep)
3	16	Rear slot; IEEE guide rails, incl. ESD clips (ESD clips fitted to front bottom), for vertical mounting of rear I/O boards (6 U, 80 mm deep)
4	1	PSB backplane for 6 U boards, 64 bit, 2 fabric/switch slots, 14 node slots, 2 CompactPCI segments, system slot left and right; part no. 23006-610
5	2	19" compatible power supply, 250 W (3 U, 8 HP); part no. 13100-141
6	1	Extractable fan unit with filter mat, 3 fans, 24 V _{DC} , 270 m ³ /h (160 cfm)
7	2	Front panel, front, 3 U, 8 HP, space for two further power supplies
8	1	DC switch on front
9	1	AC input (IEC connector), mains filter module, fuse, 6 U, 8 HP
10	1	Front panel, rear, 6 U, 8 HP
11	2	Front panel, front, 3 U, 4 HP, cover for optional CMM module space
12	1	Cable harness to connect all system components

Order Information

Height U	Height mm	Depth mm	Number of slots	Part no.
10	443.7	275	16	24579-028

Accessories

19" compatible power supply, 250 W, 3 U, 8 HP Please order PSU separately, see page 9.22	13100-141
Chassis monitoring module (CMM) 3 U, 4 HP, 160 mm deep, 1 piece Please order PSU separately, see page 8.109	23207-022
Equipment cables	Page 3.38
Front panels	Page 7.5
Modules to mount drive units	Page 8.110
Front panels with handle	Page 7.32
Fan control modules (FCM)	Page 8.108

Note

- Modified systems available on request
- System in accordance with IEC 60297-3-101, -102, -103; IEEE 1101.1, 1101.10/11); Backplane, conforms to PICMG 2.16



Open Modular
Computing Specifications



ServicePLUS see page 8.112