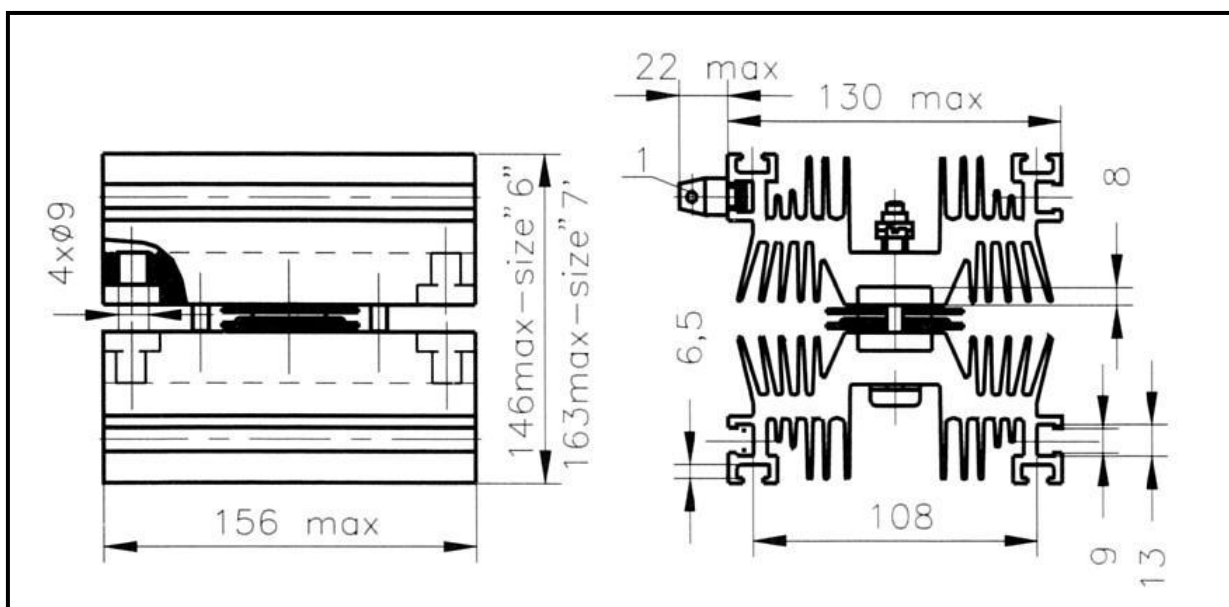




Assemblies type RU152 are design

## Package details



For further package information, please contact Sales & Marketing Department.  
Do not scale.