

# MULTIBLOC® 00.ST9

Size 00, 160A, 690VAC, Design for Bottom Fitting, Triple Pole

## NH Fuse Switch Disconnecter

The production programme of MULTIBLOC® series 00.ST9 comprises NH fuse switch disconnectors for 160A.

They are designed for bottom fitting/panel installation and are available in triple pole units.

For installation of MULTIBLOC® NH fuse switch disconnectors in distribution units with central cover, respective covers are used to obtain a uniform profile in height and length.

MULTIBLOC® size 00 are designed for NH fuse-links in accordance with IEC/EN 60269-2, VDE 0636-2, size 00, 160A.

MULTIBLOC® offers the user the possibility of fast and easy installation as well as a high degree of security during installation and maintenance.

### Features Benefits

- Touch protection IP 30
- Sealing and padlocking device integrated in switch door cover
- Installation depth 81 mm
- Voltage test through holes in slidable windows directly at contacts or tags of NH-fuse links
- Parking position of switch operating cover even with fuse-links inserted
- Modular system of cover - cover for cable termination area can be extended as required
- Varieties of cable termination: screw, clamp strap, Al-Cu clamp, frame clamp, extendable for V-terminal - optional
- Electronic or electro-mechanic fuse monitoring - optional
- Indicating switch for switch door position - optional
- Installation on to DIN rails in accordance with EN 60 715 - optional

### Applications

- House incoming units
- Meter distribution units
- Measuring transformer cabinets
- Transmitting stations for telecommunications

### Technical data overview

Volt (VAC)	690 VAC
Volt (VDC)	440 VDC
Amper (A)	160 A
Size per Standard	00
Mounting	bottom fitting/panel
SCCR	Ue = AC 400 V; Ie = 160 A 80kA Ue = AC 500 V; Ie = 160 A 80kA Ue = AC 690 V; Ie = 125 A 80kA
Switchability	triple pole switching



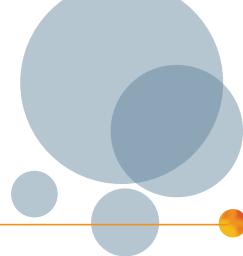
### Standards

IEC/EN 60 947-3  
For NH-fuse links size 000/00 in accordance with IEC/EN 60 269-2, VDE 0636-2



# MULTIBLOC® 00.ST9

Size 00, 160A, 690VAC, Design for Bottom Fitting, Triple Pole



## Product range



2.030.000



2.030.100



2.030.200

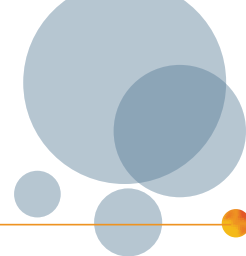
### MULTIBLOC® 00.ST9 size 00 160 A, 690 V AC bottom fitting, triple pole

Catalog number	Reference number	Poles	Cable termination components	Design	Weight kg <sup>1)</sup>	Package
2.030.000	P1023007	3	6 M8 terminal screws	-	0.75	1 piece
2.030.100	V1023012	3	6 M8 terminal screws	with electronic fuse monitoring ESÜ installed	0.86	1 piece
2.030.200	C1023042	3	6 M8 terminal screws	with electro-mechanic fuse monitoring MZS installed (galvanic isolation)	1.39	1 piece
2.030.300	D1023043	3	6 M8 terminal screws	fixed window to protect against unauthorized connection	0.75	1 piece
2.031.000	E1023044	3	6 clamp straps Cu 4-70mm <sup>2</sup>	-	0.75	1 piece
2.031.300	F1023045	3	6 clamp straps Cu 4-70mm <sup>2</sup>	fixed window to protect against unauthorized connection	0.75	1 piece
2.032.000	G1023046	3	6 Al/Cu clamps 1,5-70 mm <sup>2</sup> round stranded, 95 mm <sup>2</sup> sectoral solid	-	0.85	1 piece
2.033.000	H1023047	3	3 frame clamps Cu 2,5-70 mm <sup>2</sup> factory assembled	-	0.70	1 piece
2.034.000	J1023048	3	3 M8 terminal screws, 3 clamp straps Cu 4-70mm <sup>2</sup>	-	0.75	1 piece
2.035.000	K1023049	3	3 M8 terminal screws 3 Al/Cu clamps 1,5-70 mm <sup>2</sup> round stranded, 95 mm <sup>2</sup> sectoral solid	-	0.75	1 piece

1) weight in kg per piece or set including package

# MULTIBLOC® 00.ST9

Size 00, 160A, 690VAC, Design for Bottom Fitting, Triple Pole

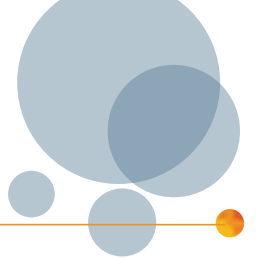


## Technical data in accordance with EN / IEC 60947

	00.ST9 triple pole
Installation mode	bottom fitting
Size	00
Number of poles/phases	3
Conventional free air thermal current with NH-fuse links $I_{th}$	160 A
Max. power dissipation of fuse links $P_n$	12 W
Conventional free air thermal current with solid links $I_{th}$	200 A
Max. power dissipation of solid links $P_n$	1,2 W
Utilization category to IEC/EN 60947-3 $U_e = AC 400 V; I_e = 160 A$ $U_e = AC 500 V; I_e = 160 A$ $U_e = AC 690 V; I_e = 125 A$ $U_e = DC 220 V; I_e = 160 A$ $U_e = DC 440 V; I_e = 100 A$	AC 23 B AC 22 B AC 21 B DC 22 B DC 21 B
Rated operational voltage $U_e$	690 V
Rated insulation voltage $U_i$	1000 V
Rated impulse withstand voltage $U_{imp}$	8 kV
Rated frequency	50 ... 60 Hz
Degree of protection	IP 0
Degree of pollution	3
Rated duty	uninterrupted duty
Rated short circuit making capacity with solid links $I_{cm}$	6.2 kAsw
Rated short circuit making capacity with fuse links $U_e = AC 400 V; I_e = 160 A$ $U_e = AC 500 V; I_e = 160 A$ $U_e = AC 690 V; I_e = 125 A$	80 kA 80 kA 80 kA
Rated short circuit withstand current $I_{cw}$	4 kA / 1 s
Power dissipation by $I_{th}$ without NH-fuse links	7 W
Power dissipation by $I_{th}$ without solid links	10 W
<b>Cable terminal connection</b>	
Standard cable terminal	M8
for cable lugs Cu max.	2 x 70 mm <sup>2</sup>
for cable lugs Al max.	2 x 70 mm <sup>2</sup>
for copper bars with max. dimensions	20 x 5 mm

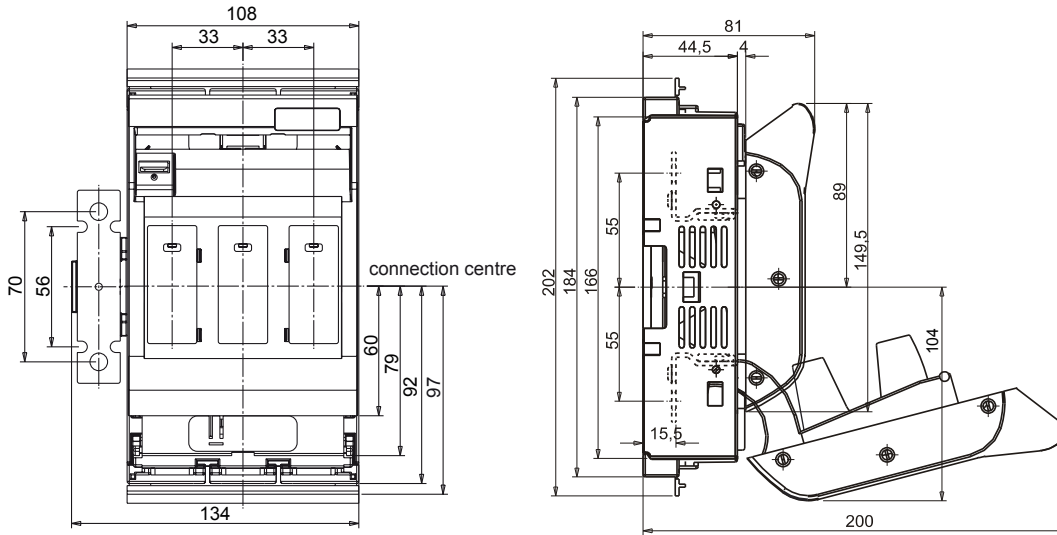
# MULTIBLOC® 00.ST9

Size 00, 160A, 690VAC, Design for Bottom Fitting, Triple Pole



## Dimensions

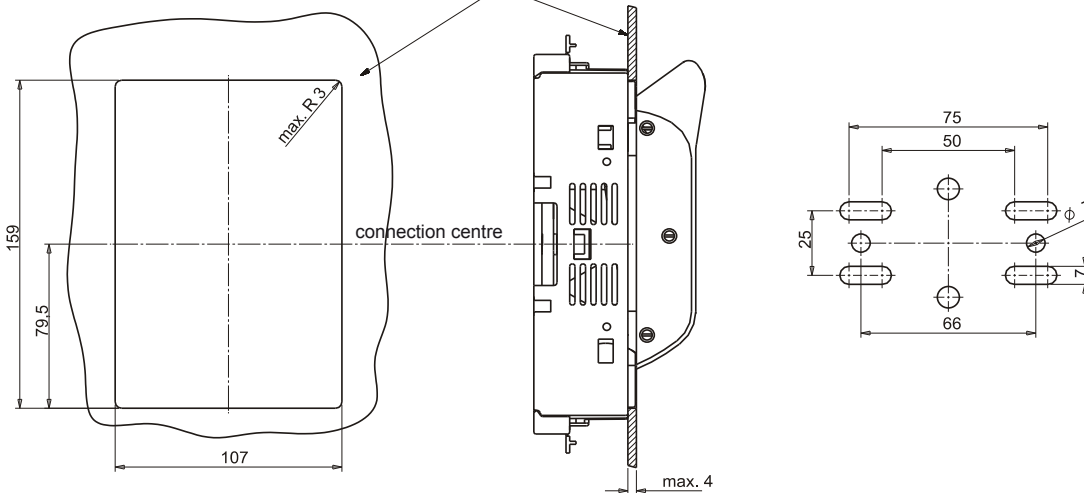
MULTIBLOC® 00.ST9 NH-fuse switch disconnecter triple pole design for bottom fitting (M 01169)



dimensions of switch board cut out for bottom fixing without cover shield

switch board

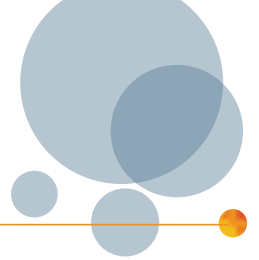
dimensions for bottom fitting



Dimensions in mm

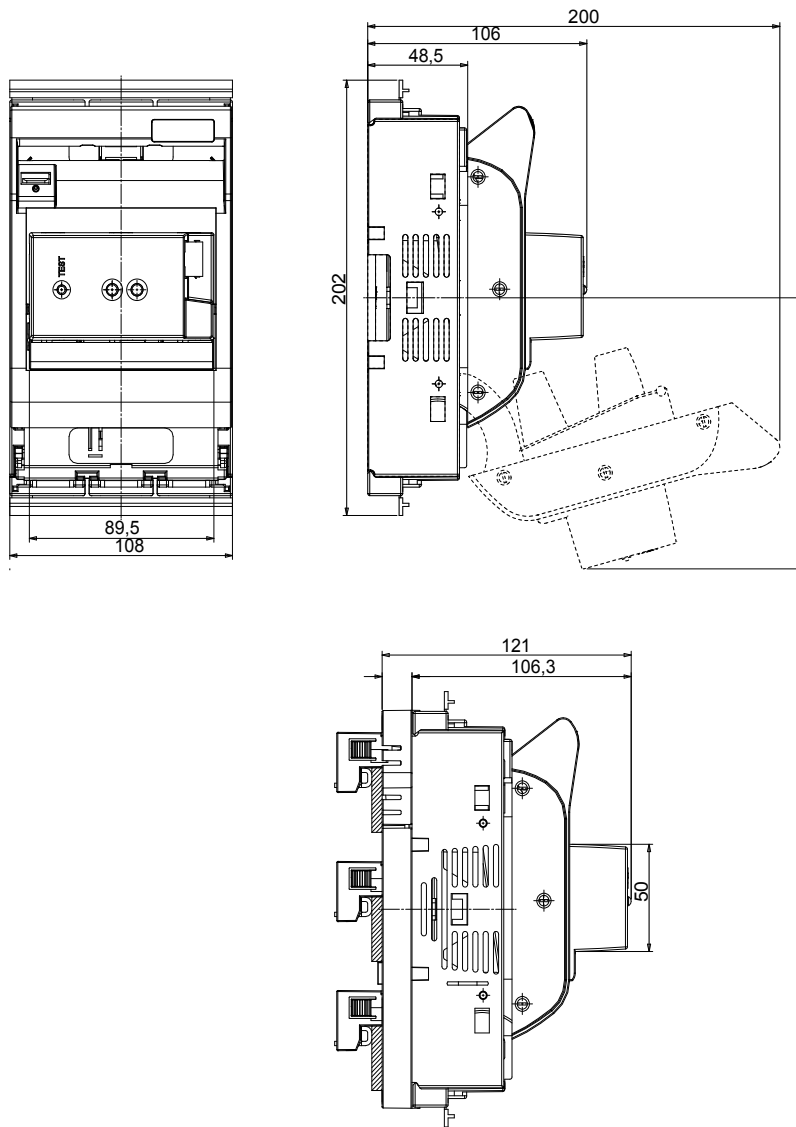
# MULTIBLOC® 00.ST9

Size 00, 160A, 690VAC, Design for Bottom Fitting, Triple Pole



## Dimensions

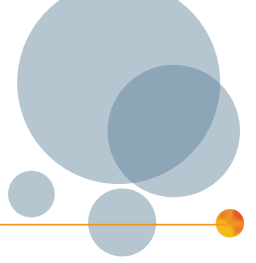
MULTIBLOC® 00.ST9 and 00.RST9 triple pole with electronic fuse monitoring ESÜ (M 01172)



Dimensions in mm

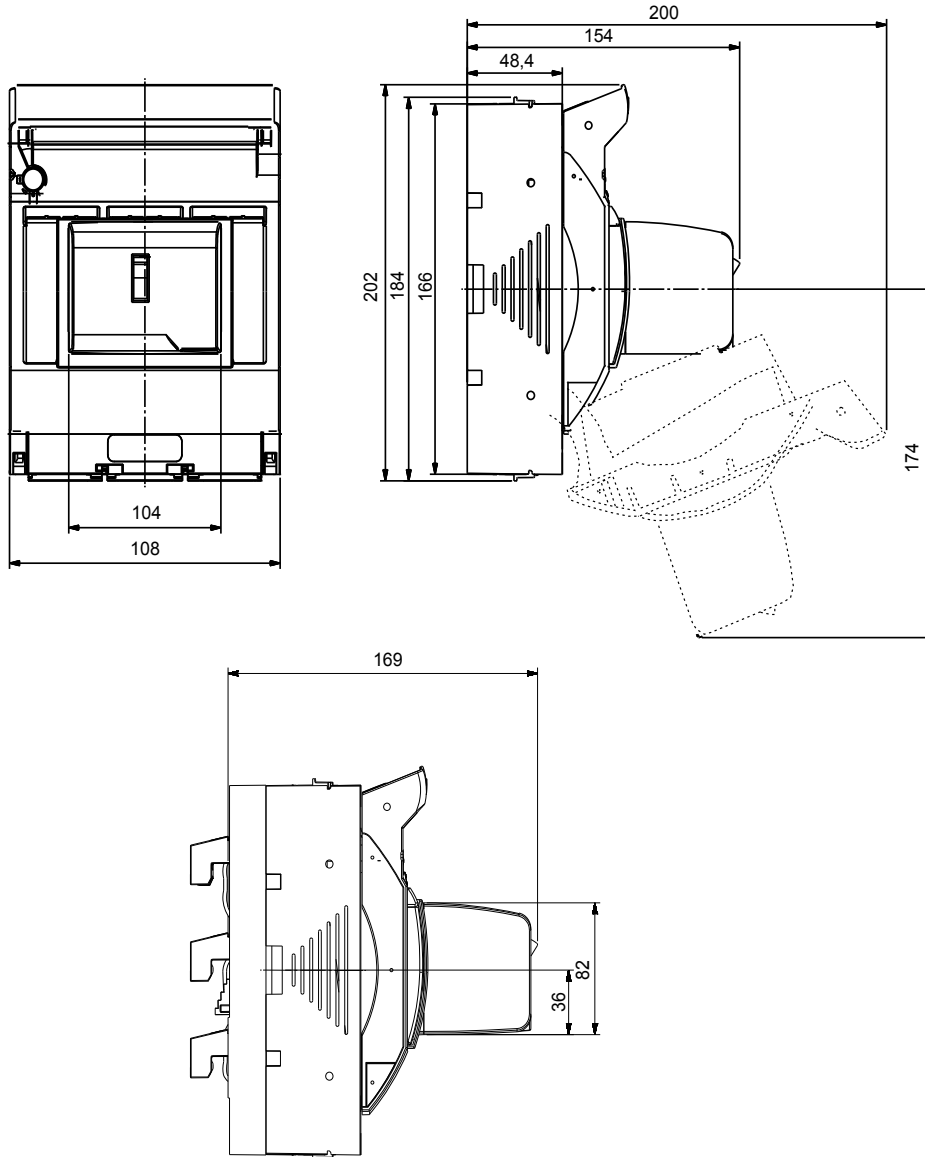
# MULTIBLOC® 00.ST9

Size 00, 160A, 690VAC, Design for Bottom Fitting, Triple Pole



## Dimensions

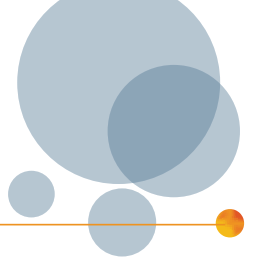
MULTIBLOC® 00.ST9 and 00.RST9 triple pole with electro-mechanic fuse monitoring MZS (M 01135c-00)



Dimensions in mm

# MULTIBLOC® 00.ST9

Size 00, 160A, 690VAC, Design for Bottom Fitting, Triple Pole



## Dimensions

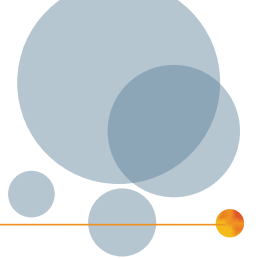
Cable termination size 00 (MA 120c)

type	N	S	A	R
terminal	screw	clamp strap	Al/Cu clamp	frame clamp
	Cu 16-70	Cu 4-70	Cu 1,5-70	Cu 2,5-70
cross section mm <sup>2</sup>	Al 16-95	Al ---	Al 1,5-70 sectoral stranded Al 1,5-95 sectoral solid	Al ---
M(an) (Nm)	10	3-4	3-4	6

Dimensions in mm

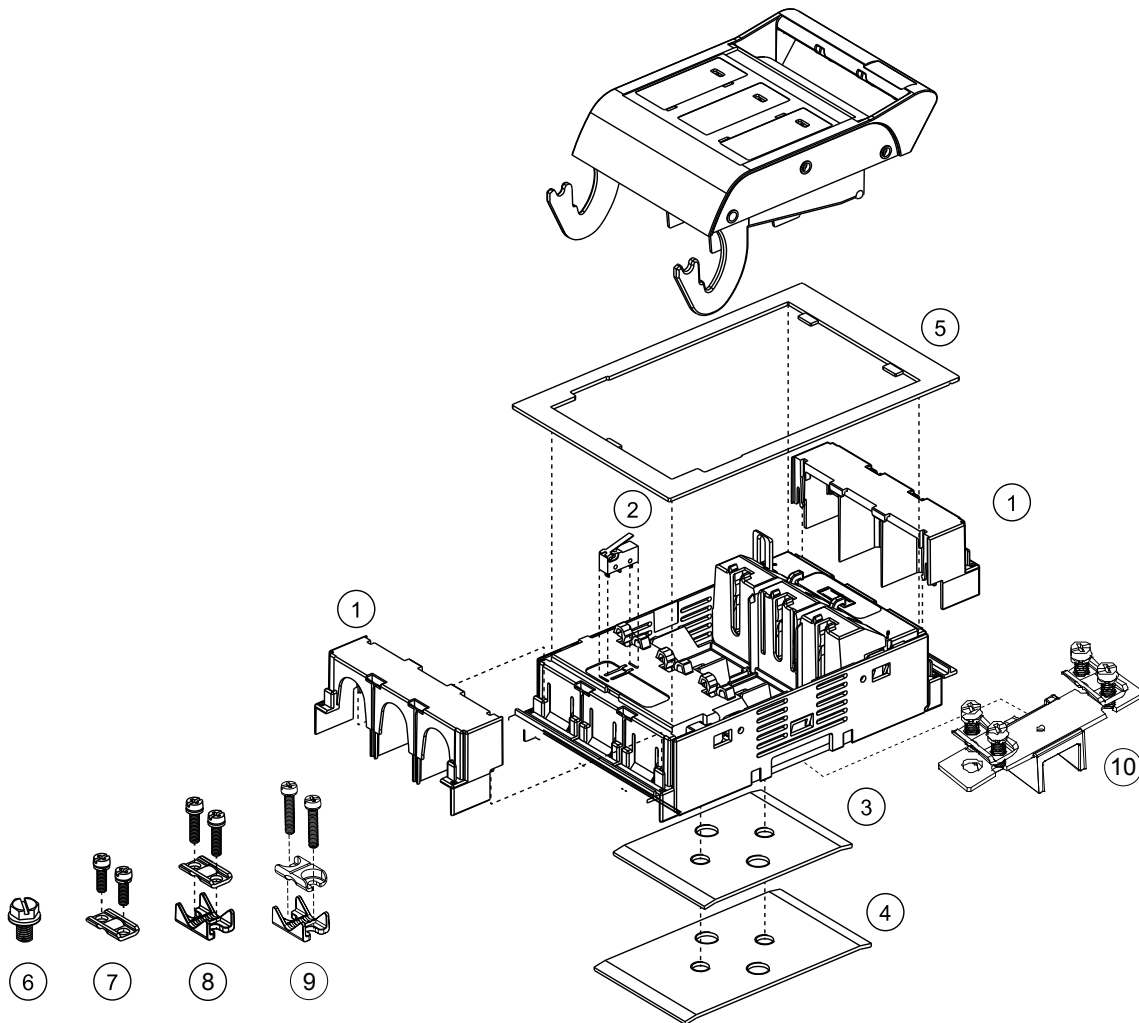
# MULTIBLOC® 00.ST9

Size 00, 160A, 690VAC, Design for Bottom Fitting, Triple Pole



## Exploded sketch

MULTIBLOC® 00.ST9 NH- fuse switch disconnecter triple pole design for bottom fitting (E 1.002.784)

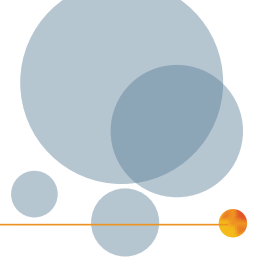


no.	articlenumber	short description
1	1.000.148	Cover for cable termination, triple pole
2	1.000.852	indicator for switch door position
3	1.000.153	Set for mounting on DIN rails 125mm
4	1.000.154	Set for mounting on DIN rails 150mm
5	1.000.126	Cover shield for one switch
6	00SZS	M8 terminal screw screw, 1 Set = 3 pieces
7	00SZESK	Clamp strap 4 - 70mm², set = 3 pieces
8	00SZA70	Al/Cu clamp 1.5 - 70mm², set = 3 pieces
9	1.003.571	Al/Cu clamp 50 - 95 mm², set = 3 pieces
10	00SZNS	Neutral cond. support with clamp strap



# MULTIBLOC® 00.ST9

Size 00, 160A, 690VAC, Design for Bottom Fitting, Triple Pole



## Accessories



1.000.126

1.003.431



1.002.874



1.000.127



1.000.128



1.002.870



1.000.148



1.000.153

1.000.154

### Cover shields

Catalog number	Reference number	Design	Weight kg <sup>1)</sup>	Package
1.000.126	Y229285	cover shield for installation in distribution units size (width x height): 123 x 190 mm for one 00.ST9/00.RST9	0.02	1 piece
1.003.431	N1022960	cover shield for installation in distribution units size (width x height): 123 x 210 mm for one 00.ST9/00.RST9	-	1 piece
1.002.874	S1022964	cover shield for installation in distribution units size (width x height): 231 x 210 mm for two 00.ST9/00.RST9	0.05	1 piece
1.000.127	Z229286	cover shield for installation in distribution units size (width x height): 231 x 190 mm for two 00.ST9/00.RST9	0.05	1 piece
1.000.128	A229287	cover shield for installation in distribution units size (width x height): 339 x 190 mm for three 00.ST9/00.RST9	0.07	1 piece
1.002.870	R1022963	cover shield for installation in distribution units size (width x height): 231 x 210 mm for one 00.ST9/00.RST9 + lateral spare way cover right side	0.09	1 piece

### Cover/shrouds for cable termination

Catalog number	Reference number	Design	Weight kg <sup>1)</sup>	Package
1.000.148	W229283	cover for cable terminal connection for 00.ST9 triple pole, 1 set = 2 pieces	0.04	1 set

### Installation devices

Catalog number	Reference number	Design	Weight kg <sup>1)</sup>	Package
1.000.153	C229887	adapter for installation on to DIN-rails in accordance with EN 60 715-125 mm for 00.ST9 triple pole	0.14	1 piece
1.000.154	D229888	adapter for installation on to DIN-rails in accordance with EN 60 715-150 mm for 00.ST9 triple pole	0.16	1 piece

1) weight in kg per piece or set including package

# MULTIBLOC® 00.ST9

Size 00, 160A, 690VAC, Design for Bottom Fitting, Triple Pole

## Accessories



1.000.852

### Indication facilities

Catalog number	Reference number	Design	Weight kg <sup>1)</sup>	Package
1.000.852	Q1002285	indicator for switch door position micro switch, 1 change-over contact 5 A, 250 V	0.00	1 piece



00SZS



00SZESK



00SA70



1.003.571



1.003.433



00SZSV6

### Varieties of cable termination

Catalog number	Reference number	Design	Weight kg <sup>1)</sup>	Package
00SZS	M229298	M8 terminal screw for switch gear size 00 1 set = 3 pieces	0.03	1 set
00SZESK	E214594	clamp strap Cu 4-70 mm <sup>2</sup> for switch gear size 00 1 set = 3 pieces	0.04	1 set
00SA70	R211523	Al/Cu clamp 1,5-70 mm <sup>2</sup> for switch gear size 00 1 set = 3 pieces	0.08	1 set
1.003.571	V1033684	Al/Cu clamp 50 -95 mm <sup>2</sup> round stranded for switch gear size 00 1 set = 3 pieces	0.10	1 set
1.003.433	L1022958	triple clamp per pole 1.5 up to 16 mm <sup>2</sup> 1 set = 3 pieces	-	1 piece
00SZSV6	K1022957	V-shaped lug size 00, M8, for V-terminal clamp size 00 for switch gear size 00 with screw terminal supplementary set for V-terminal with V-terminal clamps 1 set = 3 pieces	0.13	1 set

### Insulated bus bars

Catalog number	Reference number	Design	Weight kg <sup>1)</sup>	Package
1.000.885	C1022973	insulated bus bar for two MULTIBLOC® 00.ST9 35 mm <sup>2</sup>	0.28	1 piece
1.000.886	E1022975	insulated bus bar for three MULTIBLOC® 00.ST9 35 mm <sup>2</sup>	0.45	1 piece
1.000.887	H1022978	insulated bus bar for five MULTIBLOC® 00.ST9 35 mm <sup>2</sup>	0.82	1 piece



1.000.885



1.000.886



1.000.887

### Neutral conductor

Catalog number	Reference number	Design	Weight kg <sup>1)</sup>	Package
00SZNS	A1023086	neutral conductor support for lateral installation either left or right side of MULTIBLOC® size 00 cable termination clamp strap Cu 4-70 mm <sup>2</sup> round stranded/round solid	0.07	1 piece



00SZNS

1) weight in kg per piece or set including package