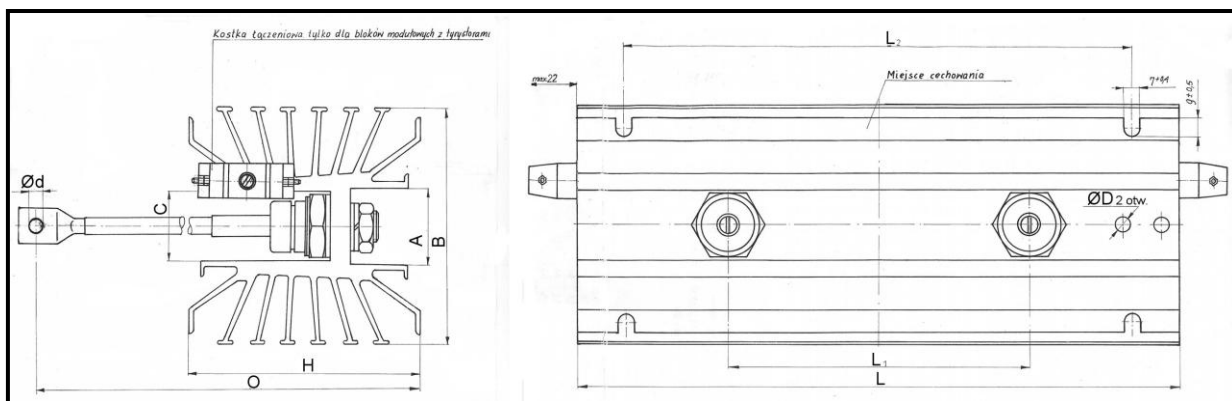




Assemblies type RP254 are design

Package details



A	B _{max}	C	ød	øD	H	L ^{±1}	L ₁ ^{±1}	L ₂ ^{±1}	O
mm									
32	102	30	6,6	7	102	254	127	214	191,5

For further package information, please contact Sales & Marketing Department.
Do not scale.