


# KT-302H Series

## Features

- HART protocol
- 330° rotatable display for environment conditions
- Backlight helps to read easily in the darkness
- Standard and high accuracy sensor
- Self stability and filter device
- High electrical compatibility
- Realizes high accuracy(±0.2%) measurement by stainless steel diaphragm of pressure sensing part for various measured subjects
- 4-20 mA analog output (2-wire)
- Explosion class : Ex d IIC T6 IP67



 Please read "Caution for your safety" in operation manual before using this unit.

## Ordering information

KT-302H
S
—
01
0
0

①
②
③
④
⑤

Item	Description		
①Item	KT-302H	Pressure Transmitter	
②Measurement pressure	S	Gauge pressure	
	A	Absolute pressure	
③Pressure range		Gauge pressure	Absolute pressure
	01	0 to 0.35kgf/cm <sup>2</sup>	0 to 0.35kgf/cm <sup>2</sup>
	02	0 to 1kgf/cm <sup>2</sup>	0 to 1kgf/cm <sup>2</sup>
	03	0 to 2kgf/cm <sup>2</sup>	0 to 2kgf/cm <sup>2</sup>
	04	0 to 7kgf/cm <sup>2</sup>	0 to 7kgf/cm <sup>2</sup>
	05	0 to 20kgf/cm <sup>2</sup>	0 to 20kgf/cm <sup>2</sup>
	06	0 to 35kgf/cm <sup>2</sup>	0 to 35kgf/cm <sup>2</sup>
	07	0 to 70kgf/cm <sup>2</sup>	—
	08	0 to 210kgf/cm <sup>2</sup>	—
	09	0 to 350kgf/cm <sup>2</sup>	—
	14	-760mmHg to 0kgf/cm <sup>2</sup>	—
	15	-760mmHg to 2kgf/cm <sup>2</sup>	—
	16	-760mmHg to 7kgf/cm <sup>2</sup>	—
	17	-760mmHg to 20kgf/cm <sup>2</sup>	—
	18	-760mmHg to 35kgf/cm <sup>2</sup>	—
	Z	Others	
④Mounting bracket	0	Without bracket	
	1	With bracket	
⑤Pressure port	0	PF 3/8"(Standard)	
	1	Others	

# Smart Pressure Transmitter

## Specifications

Series	KT-302H	
Measured materials	Vapor, Liquid, Fluid (except corrosive environment of SUS316)	
Power supply	9-45VDC	
Display method	PV display part : 7 Segment 5 digit, Parameter display part: 16 Segment 8 digit, Bar LED : 52EA	
Display range	-9999 to 99999	
Output	4-20mA (2-wire) Low-limit 3.8mA, High-limit 22.8mA	
Accuracy	±0.2% of Span	
Setting method	Setting by front push keys and HART-protocol	
Sampling cycle	200ms	
Environment	Ambient temperature	-20 to 70 °C, storage: -40 to 85 °C
	Ambient humidity	0 to 85%RH, storage: 0 to 85%RH
Material	Body : Aluminum(AIDc.8S), Cover O-Ring : Buna N, Diaphragm : SUS316, Connections : SUS316	
Explosion class <sup>※1</sup>	Ex d IIC T6 IP67	
Unit weight <sup>※2</sup>	Approx. 1.7kg(Approx. 1.4kg)	

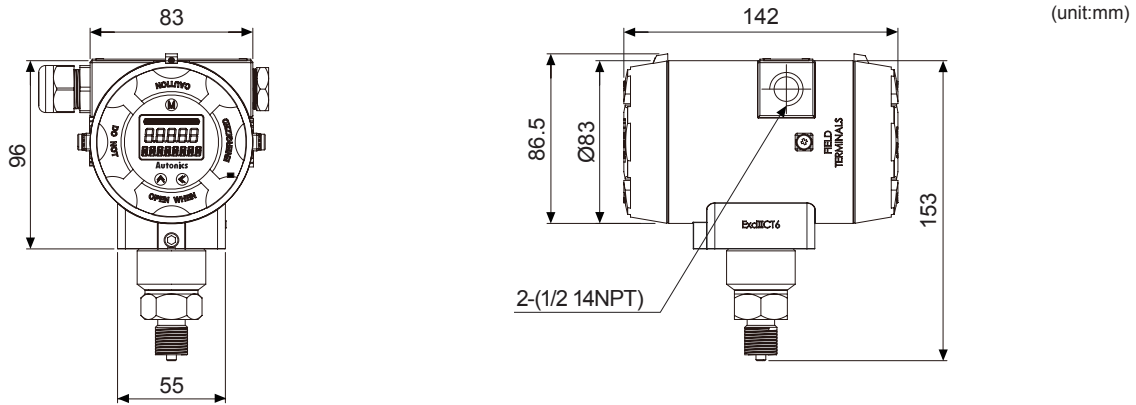
※1: This Explosion class is acquired and managed by Konics Co., Ltd.

※2: The weight is with packaging and the weight in parentheses is only unit weight.

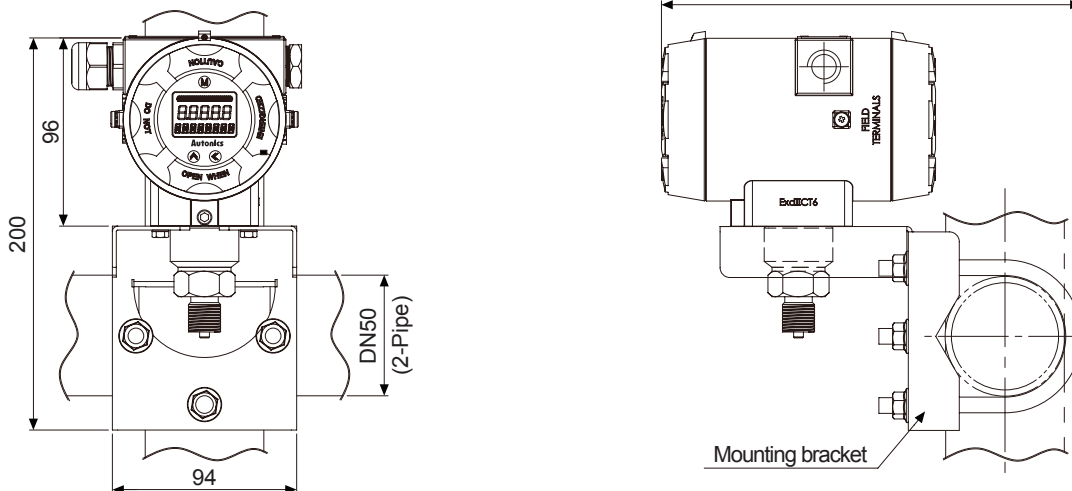
※ Environment resistance is rated at no freezing or condensation.

A. Recorder  
B. Indicator  
C. Converter  
D. Controller  
E. Thyristor unit  
F. Pressure transmitter  
G. Temp. transmitter  
H. Accessories

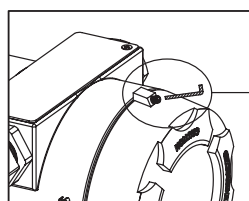
## Dimensions



### • Mounting bracket



### • Opening cover

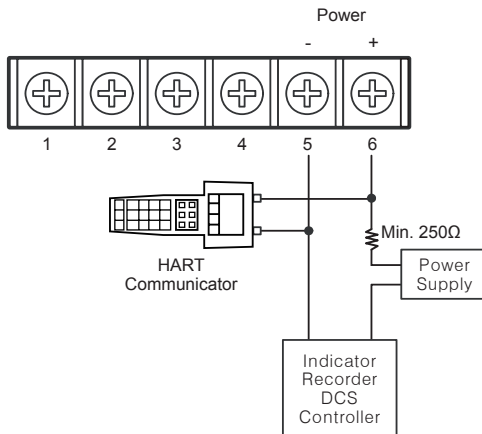


To open the cover, unscrew the M3 X 6L headless bolt using a 1.5 hexagon wrench and rotate the cover.

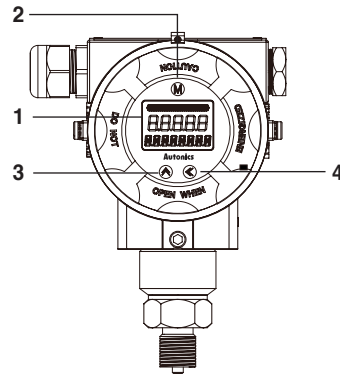
TPS20  
KT-302H  
PTF30

# KT-302H Series

## Connections



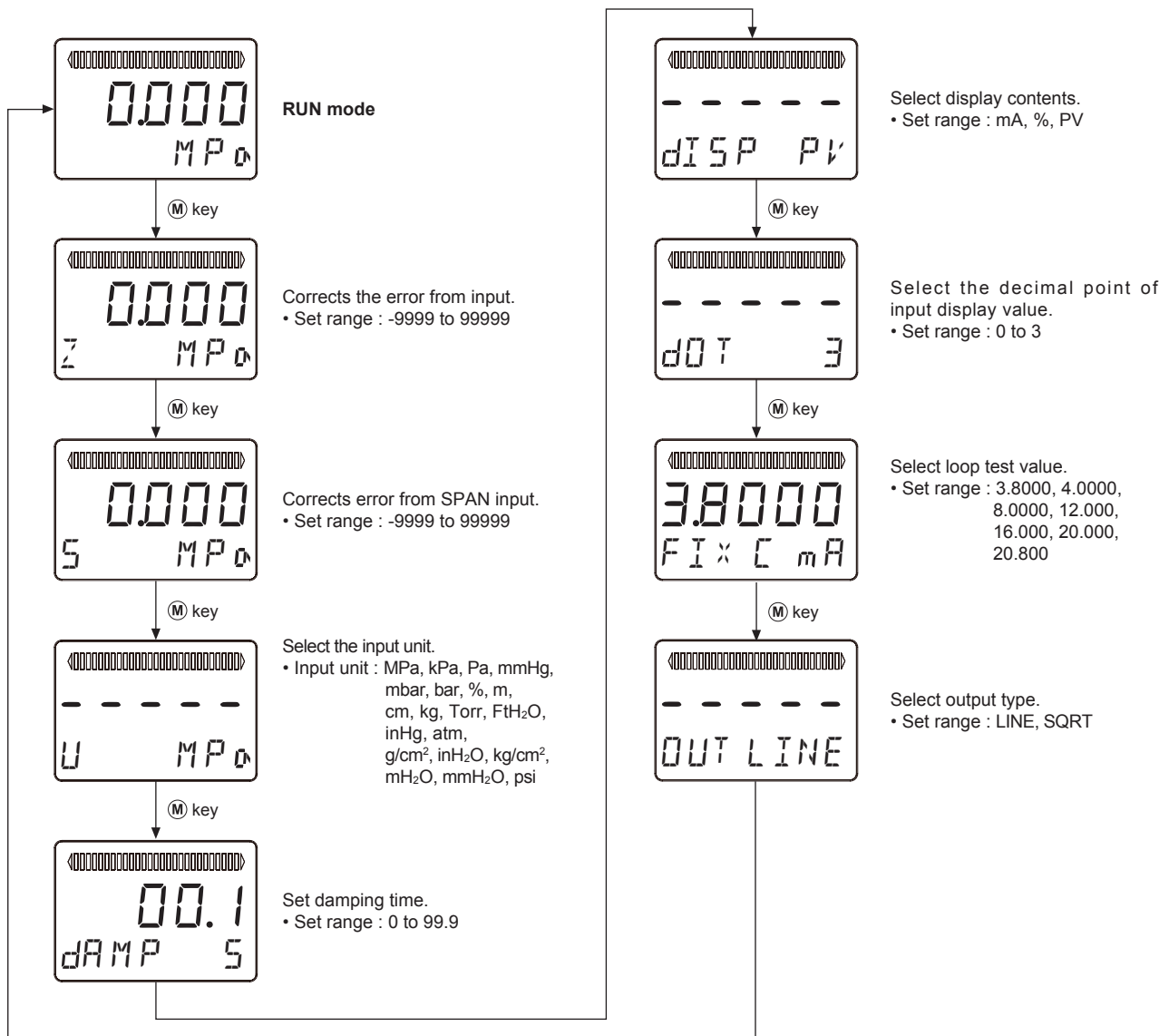
## Part descriptions



1. **Display part** : Displays measured value and unit messages.
2. **M key** : Enters set mode and saves the set values.
3. **→ key** : Changes the set values of data.
4. **← key** : Changes the set position of data.

## Parameters

- ※ **Do not press the → and ← keys at the same time, or the product is initialized and does not operate.**
- ※ ← : Moves digits / → : Changes set value
- ※ Press the M key after checking/changing the set value and it saves and moves to the next parameter.
- ※ Factory default depends on the pressure range of model.
- ※ Below displays for parameters are different by models.



## Proper usage

### ■ Caution for using

- For connecting the power, use a crimp terminal (M3.5, min. 7.2mm).
- The connection of this unit should be separated from the power line and high voltage line in order to prevent inductive noise.
- Install a power switch or a circuit breaker to supply or cut off the power.
- Switch or circuit breaker should be installed nearby users for convenient control.
- Do not use this unit near the high frequency instruments (high frequency welding machine & sewing machine, large capacity SCR controller).
- Installation environment.
  - ① Indoor / Outdoor
  - ② Altitude max. 2,000m
  - ③ Pollution degree 2
  - ④ Installation category II
- Use the verified explosion-proof electric connection (cable gland or sealing fitting) (over Ex d IIC T6 IP67).
- Use the dedicated external terminal for earth. For connecting earth, use a spring washer(earth cable) which is over 4mm<sup>2</sup>.
- **We are not responsible for any damages and claims for careless. Must read the cautions for your safety and using.**
- **This explosion-proof unit is certified and the same specifications which is reported to Korea Gas Safety Corporation.**
- **If there are any problems with the unit, contact the sales office.**
- **It may cause malfunction if above instructions are not followed.**

A. Recorder

B. Indicator

C. Converter

D. Controller

E. Thyristor unit

F. Pressure transmitter

G. Temp. transmitter

H. Accessories

TPS20

KT-302H

PTF30