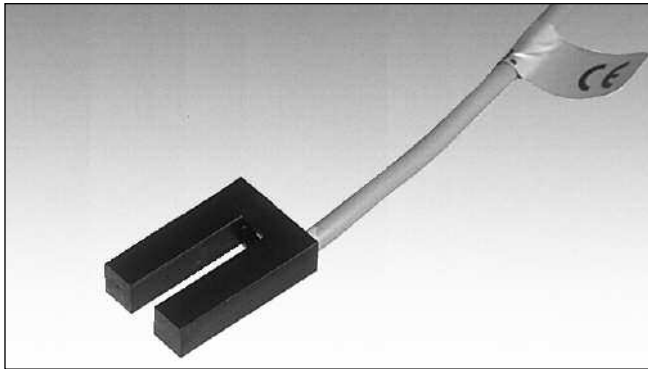


Proximity Magnetic Sensors Slot Sensors IM Series



- Slot plastic housing
- NC or CO output functions
- Small dimensions

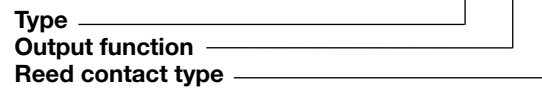
Product Description

In IM series the minimum air gap from ferromagnetic parts is 10 millimeters; the minimum distance between the fixing holes of two contiguous switches is 7 cm.

The optimum dimensions concerning soft iron actuators is 15 x 40 x 1.

Ordering Key

IM S 1



Type Selection

Housing dimensions	Connection	Output function	Reference
28 x 18.5 x 7	PVC cable L= 0.5m	NC	IM C 3
28 x 18.5 x 7	PVC cable L= 0.5m	CO	IM S 1

Dimensions are specified in millimeters (mm)

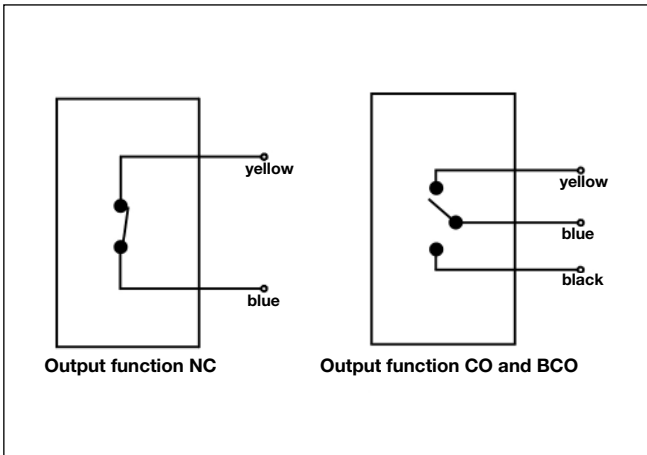
Output Specifications

Output	
IMC3	NC
IMS1	Change-over
Contact ratings	
Max Switching Voltage	
IMC3	500 VAC
IMS1	100 VAC
Max Switching Current	
IMC3	0.5 A
IMS1	0.25 A
Max Switching Power	
IMC3	10 VA
IMS1	5 VA

General Specifications

Ambient temperature	
Operating	-25 to +75 °C
Environment	
Degree of protection	IP 67
Housing	
Dimensions	28 x 18.5 x 7 mm
Material	Plastic
CE-marking	Yes

Wiring Diagrams



Dimensions

