

# Proximity Magnetic Sensors Cylindrical Housing FM Series



- Cylindrical and plastic, brass or nickel plated brass housing
- M10, M12, Ø 9.3 diameter
- NO, NC or CO output functions
- Front side switching

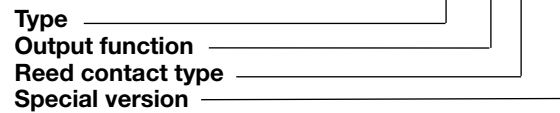
## Product Description

The cylindrical proximity magnetic sensors of the FM series are available in different versions with plastic or brass housing, different dimensions and output contacts. The models can be

mounted directly on ferromagnetic supports as well; in this situation a reduction in the operating distance may occur due to a loss of magnetic field.

## Ordering Key

**FM C 3 S1**



## Type Selection

Housing diameter	Connection	Output function	Reference
Ø 9.3	PVC cable L= 0.5m	NO	<b>FM A 3</b>
M10	PVC cable L= 2m	NO	<b>FM A 3 S5</b>
M10	PVC cable L= 2m	NO	<b>FM A 6</b>
Ø 9.3	PVC cable L= 0.5m	NC	<b>FM C 3</b>
M12	PVC cable L= 2m	NC	<b>FM C 3 S1</b>
Ø 9.3	PVC cable L= 0.5m	CO	<b>FM S 1</b>

Diameters are specified in millimeters (mm)

## Output Specifications

<b>Output</b> FMA3, FMA3S5, FMA6 FMC3, FMC3S1 FMS1	NO NC Change-over
<b>Contact ratings</b> Max Switching Voltage FMA3, FMA3S5, FMC3, FMC3S1 FMS1 FMA6	500 VAC 100 VAC 100 VAC
Max Switching Current FMA3, FMA3S5, FMC3, FMC3S1 FMS1 FMA6	0.5 A 0.25 A 0.5 A
Max Switching Power FMA3, FMA3S5, FMC3, FMC3S1 FMS1 FMA6	5 VA 100 VA 100 VA

## General Specifications

<b>Operating distance</b>	See Operating Distance table
<b>Suitable magnetic unit</b>	See Operating Distance table
<b>Ambient temperature</b> Operating	-25 to +70 °C
<b>Environment</b> Degree of protection	IP 67
<b>Housing</b> Diameter FMA3, FMC3, FMS1 FMC3S1 FMA3S5, FMA6 Material FMA3, FMC3, FMS1 FMA6 FMA3S5, FMC3S1	Ø 9.3 mm M12 x 1 mm M10 x 0.75 mm Plastic Nickel plated brass Brass
<b>CE-marking</b>	Yes

## Operating Distance

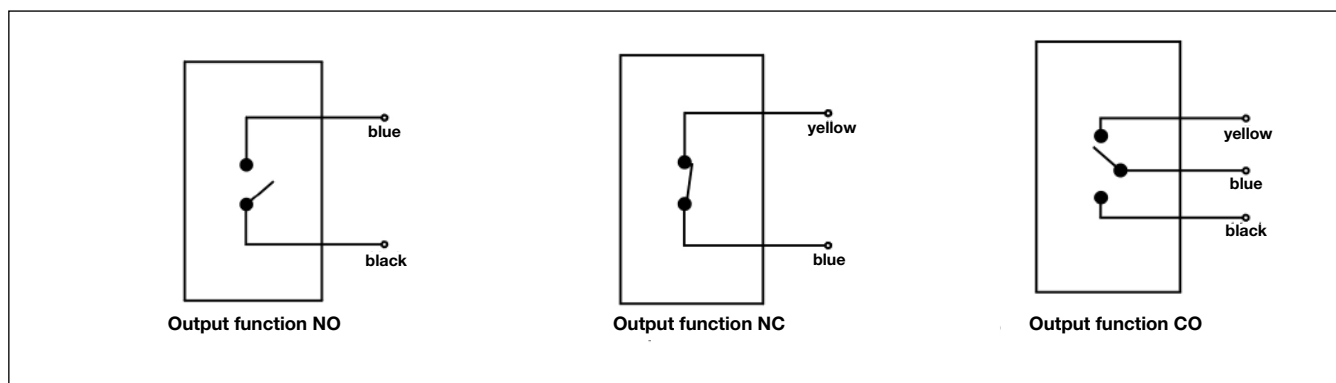
Magnetic Units	CL10	CL11	CL18	CL20S1	CL20S3	CL23	CL31
FMA3, FMS1	11	25	9	20	19	15	25
FMA6	16	36	15	30	28	23	33
FMC3	8	20/4*	7	17/2*	16/1*	12/0.5*	20/4*
FMA3S5	9	23	7	18	17	13	23
FMC3S1	6	18/2*	5	15/2*	14/1*	10/1*	18/2*

Distances are specified in millimeters (mm)

xx/xx: operating distance (for all Output functions); xx/xx\*: reswitching contact distance.

Outside the above mentioned range, the sensor maintains the initial state.

## Wiring Diagrams



## Dimensions

