

SAFEASY™ ACCESSORIES

The accessory range for the **SAFEasy™** SE and SF2 safety light curtain series includes a complete offer of complementary parts for the installation and use of safety devices in plants and machinery. The deviating mirrors of the **SE-DM** series, useful to protect different sides of a machine, are available in different heights ranging from 150 mm to 1800 mm. The column and floor stands of safety light curtains and deviating mirrors of the **SE-S** series are available with heights ranging from 800 mm to 1800 mm. The protective stands of the **SE-P** series, ideal to guarantee device protection against shocks, also available in different heights ranging from 273 mm to 1743 mm. The laser pointer of the **SE-LP** series represents a valid support for the alignment and installation of the SE safety light curtain series, in particular for applications with long operating distances and / or using deviating mirrors. The **SE-SR2** safety relay guarantees the correct connection of the **SAFEasy™** safety light curtain series to machine stopping circuits. The series also includes Muting accessories: Muting signalling lamps of the **LMS** series and **SE-SRT** Muting connection box. The shielded cables of the **CV** series are available both in the standard axial version as well as in the 90° version; the latter particularly useful in applications that have reduced space. The fixing brackets, orientable, anti-vibration and anti-scratch supports of the **ST-K** series and the **TP** test pieces complete the offer.

HIGHLIGHTS

- Complete range of accessories for SAFEasy™ safety light curtains
- Deviating mirrors, fixing brackets and supports, protective stands
- Muting accessories: signalling lamps and Muting connection box
- Type 4 safety relays



SAFETY

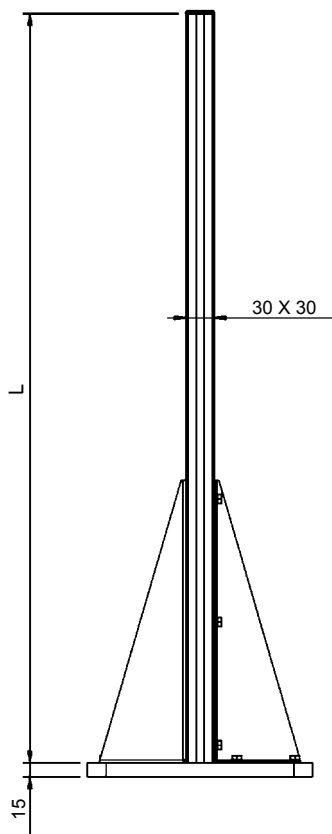
APPLICATIONS

Safety accessories series are suitable for all the application where Datalogic Automation safety light curtains are used to protect dangerous part of automatic machine.

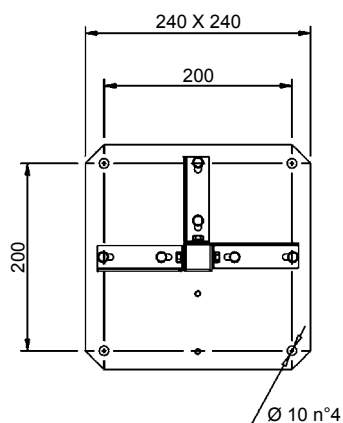


DEVIATING MIRRORS - SE-DM SERIES

The column and floor stands of the **SE-S** series, as well as being suitable for the **SAFEasy™** - SE safety light curtain series, can be used also with the SF2 safety light curtain series and deviating mirrors of the SE-DM series.



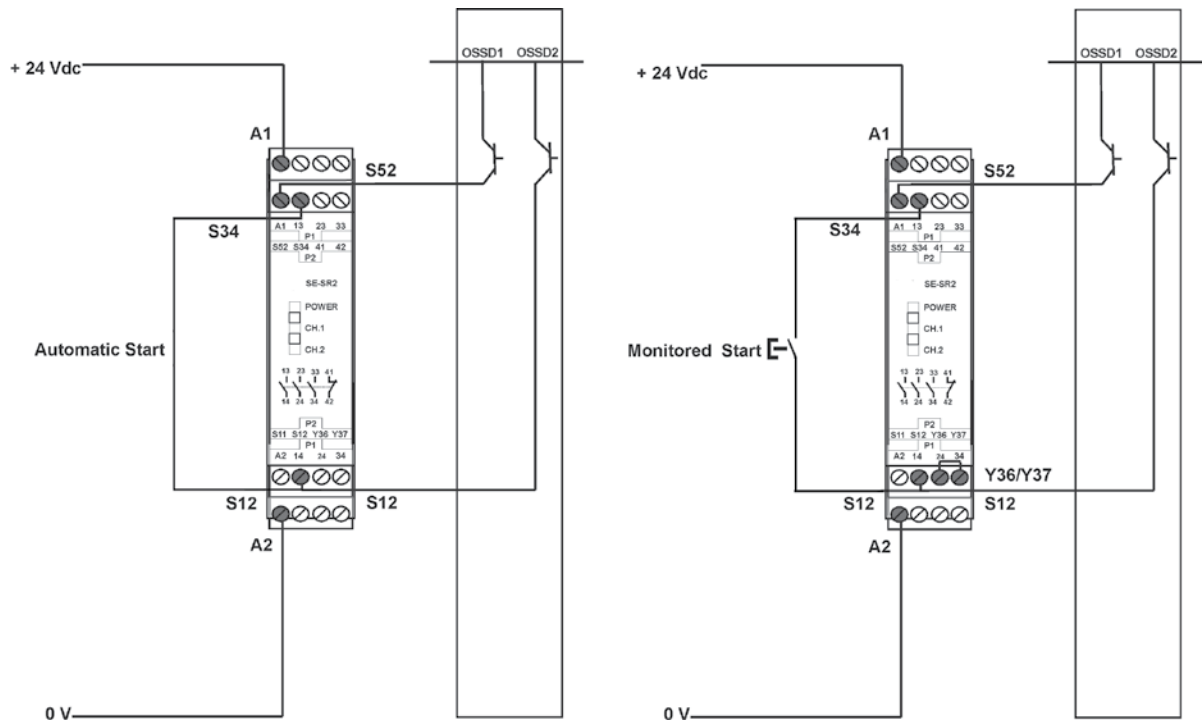
VERSION	L (mm)
SE-S 800	800
SE-S 1000	1000
SE-S 1200	1200
SE-S 1500	1500
SE-S 1800	1800



mm

* 30 x 30 mm profile dimensions for 800, 1000 and 1200 mm
 45 x 45 mm profile dimensions for 1500 and 1800 mm

SAFETY RELAYS - SE-SR2 SERIES



The drawings show the connection between SAFEasy™ safety light curtains and the type 4 safety relay of the SE-SR2 series operating in Automatic Start (left side) and Manual Start with monitoring (right side).

TEST PIECES - TP SERIES



The test pieces of the TP series allow to verify if the resolution of the SAFEasy™ safety light curtains is guaranteed inside the entire detection field. Models with Ø 14, 20, 30, 35, 40, 50 and 90 mm are available.

FIXING BRACKETS - ST-K SERIES

The **ST-KSTD** model represents the spare part kit composed of 4 standard fixing brackets for SE safety light curtains.

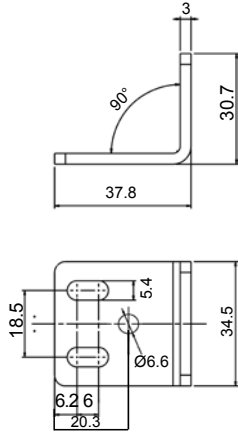
The **ST-K*OR** supports allow the orientation of the SE safety light curtains of $\pm 5^\circ$.

The **ST-K*AV** supports allow the absorption of the vibrations caused by the machinery where the SE safety light curtains are installed.

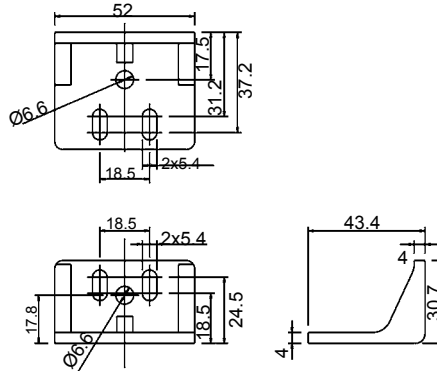
The **ST-KSF2STD** model represents the spare part kit composed of 12 standard fixing brackets for SF2 safety light curtains.

The **ST-KSF2** model represents the anti-scratch brackets (kit composed of 4 brackets) for SF2 safety light curtains.

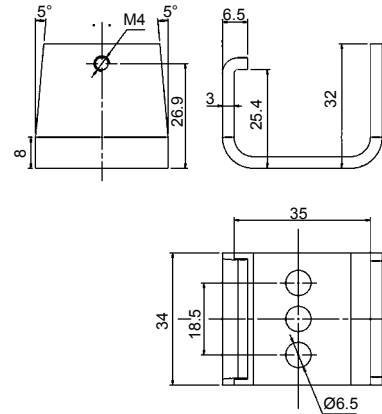
The **ST-KP*MP** model represents the plastic fixing brackets for the SE safety light curtains.



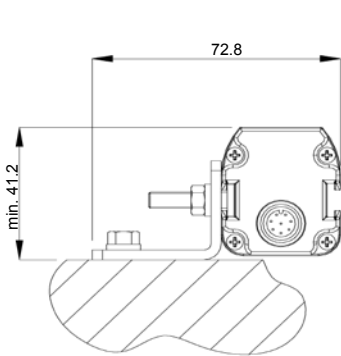
SE series: standard fixing bracket.



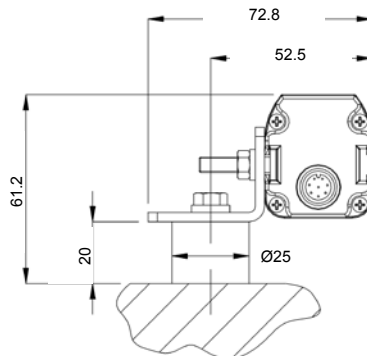
SE series: plastic fixing bracket.



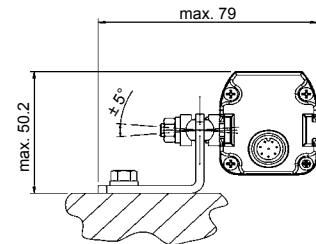
SF2 series: standard fixing bracket.



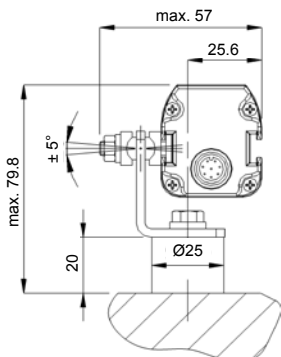
SE series: application with standard fixing bracket.



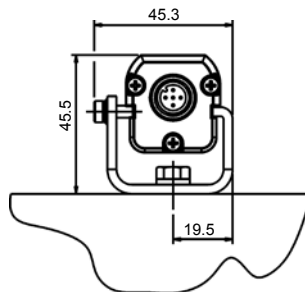
SE series: application with standard fixing bracket and ST-K*AV anti-vibration support.



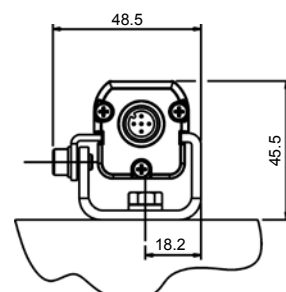
SE series: application with standard fixing bracket and ST-K*OR orientable support.



SE series: application with standard fixing bracket, ST-K*AV anti-vibration support and ST-K*OR orientable support.



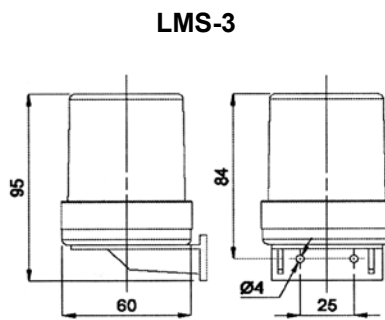
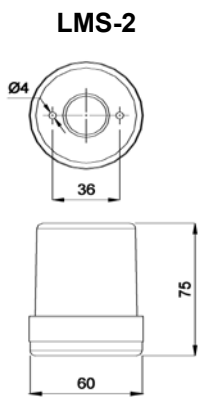
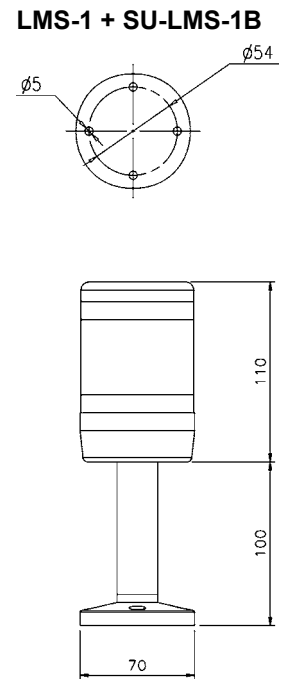
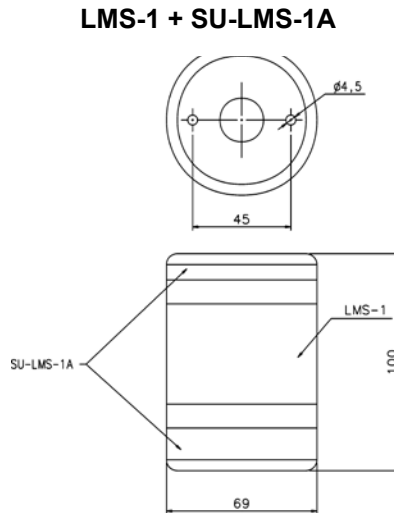
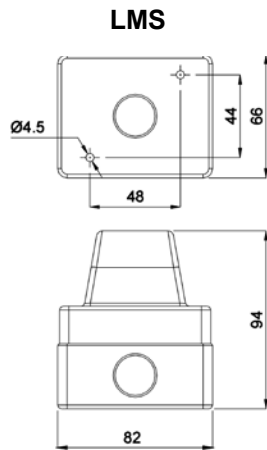
SF2 series: application with standard fixing bracket. The standard fixing bracket is compatible with the SE standard fixing bracket, ST-K*AV anti-vibration support.



SF2 series: application with ST-KSF2 anti-scratch bracket.

mm

MUTING SIGNALLING DEVICES - LMS SERIES

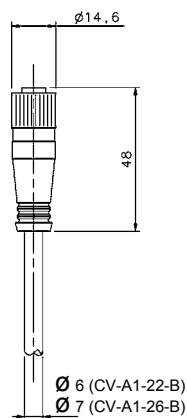


Use 24 V lamps
3 W min (125 mA)
7 W max. (300 mA)

mm

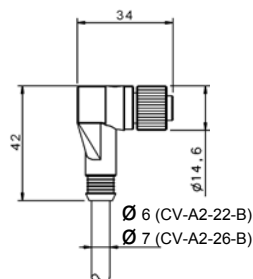
SHIELDED CABLES - CV SERIES

**CV-A1-22-B
CV-A1-26-B**



axial versions

**CV-A2-22-B
CV-A2-26-B**



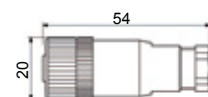
radial versions

mm

CONNECTORS - CS SERIES

CS-A1-06-B-NC

AXIAL M12 8-POLE
FEMALE CONNECTOR



accepts conductors with
0.25 ... 0.75mm² sections

mm

MODEL SELECTION AND ORDER INFORMATION

MODEL	DESCRIPTION	CODE N°
CS-A1-06-B-NC	axial M12-8 pole	95ACC2550
CV-A1-22-B-03	axial shielded 4-pin 3 m cable	95ACC1480
CV-A1-22-B-05	axial shielded 4-pin 5 m cable	95ACC1490
CV-A1-22-B-10	axial shielded 4-pin 10 m cable	95ACC1500
CV-A1-22-B-15	axial shielded 4-pin 15 m cable	95ACC2070
CV-A1-22-B-25	axial shielded 4-pin 25 m cable	95ACC2090
CV-A1-26-B-03	axial shielded 8-pin 3 m cable	95ACC1510
CV-A1-26-B-05	axial shielded 8-pin 5 m cable	95ACC1520
CV-A1-26-B-10	axial shielded 8-pin 10 m cable	95ACC1530
CV-A1-26-B-15	axial shielded 8-pin 15 m cable	95ACC2080
CV-A1-26-B-25	axial shielded 8-pin 25 m cable	95ACC2100
CV-A2-22-B-03	radial shielded 4-pin 3 m cable	95ACC1540
CV-A2-22-B-05	radial shielded 4-pin 5 m cable	95ACC1550
CV-A2-22-B-10	radial shielded 4-pin 10 m cable	95ACC1560
CV-A2-26-B-03	radial shielded 8-pin 3 m cable	95ACC1600
CV-A2-26-B-05	radial shielded 8-pin 5 m cable	95ACC1610
CV-A2-26-B-10	radial shielded 8-pin 10 m cable	95ACC1620
LMS	muting lamp	95ASE1830
LMS-1	modular muting lamp	95ACC1990
LMS-2	muting lamp - horizontal mounting	95ACC2000
LMS-3	muting lamp - vertical mounting	95ACC2010
SU-LMS-1A	basic module for LMS-1	95ACC2020
SU-LMS-1B	tower module for LMS-1	95ACC2030
SE-S 800	column and floor stand H=800 mm	95ACC1730
SE-S 1000	column and floor stand H=1000 mm	95ACC1740
SE-S 1200	column and floor stand H=1200 mm	95ACC1750
SE-S 1500	column and floor stand H=1500 mm	95ACC1760
SE-S 1800	ground support H=1800 mm	95ACC1770
SE-SR2	type 4 safety relay - 3 NO 1NC	95ACC6170
ST-KSF2	anti-scratch fixing bracket - 4 pcs kit	95ACC2320
ST-KSF2STD	SF2 fixing bracket - 12 pcs kit	95ASE1020
ST-KSF2-40R	SF2 orientable supports - 4 pcs kit	95ACC2580
ST-KSF2-60R	SF2 orientable supports - 6 pcs kit	95ACC2590
ST-KSTD	SE fixing bracket - 4 pcs kit	95ACC1670
ST-KP4MP	SE plastic fixing bracket - 4 pcs kit	95ASE1100
ST-KP6MP	SE plastic fixing bracket - 6 pcs kit	95ASE1110
ST-K4AV	anti-vibration supports - 4 pcs kit	95ACC1700
ST-K6AV	anti-vibration supports - 6 pcs kit	95ACC1710
ST-K4OR	orientable supports - 4 pcs kit	95ACC1680
ST-K6OR	orientable supports - 6 pcs kit	95ACC1690
TP-14	test piece Ø 14 mm	95ACC1630
TP-20	test piece Ø 20 mm	95ACC1640
TP-30	test piece Ø 30 mm	95ACC1650
TP-35	test piece Ø 35 mm	95ACC1660
TP-40	test piece Ø 40 mm	95ASE1820
TP-50	test piece Ø 50 mm	95ASE1790
TP-90	test piece Ø 90 mm	95ASE1800



The company endeavours to continuously improve and renew its products; for this reason the technical data and contents of this catalogue may undergo variations without prior notice. For correct installation and use, the company can guarantee only the data indicated in the instruction manual supplied with the products.