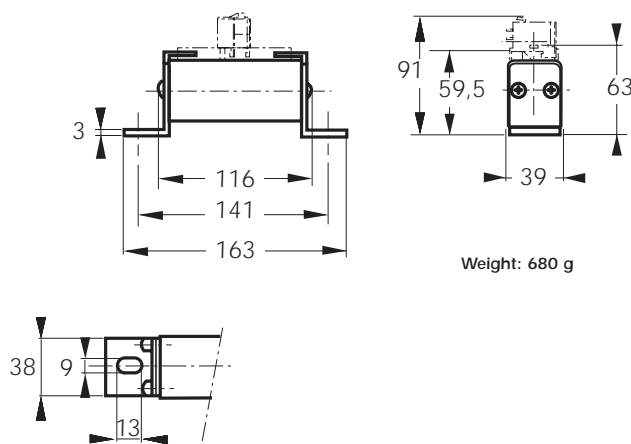


DC Square-body Fuses Sizes 70- 72 - 2x72 SR 1200V DC

Size 70
SRF from 20 to 215 A

Dimensions



Main Characteristics

Size	Current rating I_N (A)	Breaking Capacity	Watts loss		Max. I^2t @ 1000 V		Designation	Ref. Number	Catalog Number
			$0.8 I_N$ (W)	I_N (W)	L/R = 15 ms (A ² S)	L/R = 45 ms (A ² S)			
70	20	@ 1200 V DC 100 kA L/R = 15 ms	4.5	10	180	310	CC 12 SRF 70 QF 0020	C076638	D70SF120V20QF
	25		7	15.5	180	310	CC 12 SRF 70 QF 0025	S079435	D70SF120V25QF
	32		8.5	18.5	350	610	CC 12 SRF 70 QF 0032	T079436	D70SF120V32QF
	40		10	22	580	1000	CC 12 SRF 70 QF 0040	V079437	D70SF120V40QF
	50		12	26	1030	1800	CC 12 SRF 70 QF 0050	W079438	D70SF120V50QF
	63		15	33	1600	2800	CC 12 SRF 70 QF 0063	X079439	D70SF120V63QF
	80		18.5	37.5	3100	5400	CC 12 SRF 70 QF 0080	Y079440	D70SF120V80QF
	100		21.5	44.5	5800	10000	CC 12 SRF 70 QF 0100	Z079441	D70SF120V100QF
	125		28	54	9200	16000	CC 12 SRF 70 QF 0125	A079442	D70SF120V125QF
	160		34	64	19200	33200	CC 12 SRF 70 QF 0160	B079443	D70SF120V160QF
	200		35	65.5	45000	78500	CC 12 SRF 70 QF 0200	C079444	D70SF120V200QF
215	46	89	55000	95000	CC 12 SRF 70 QF 0215	D079445	D70SF120V215QF		

Microswitch: MC 3E 1-5N Ref. Number : D310020

Pack: 1 piece

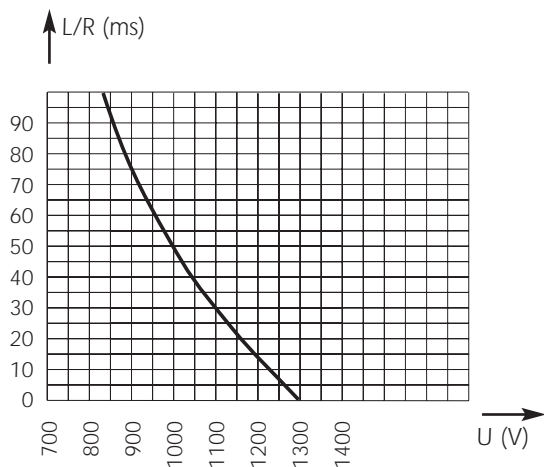


DC Square-body Fuses Sizes 70- 72 - 2x72 SR 1200V DC

Size 70
SRF from 20 to 215 A

Electrical characteristics

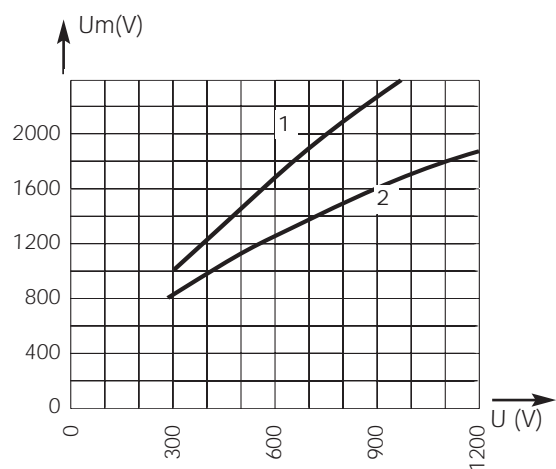
DC applications data



Above: Curve indicates maximum permissible value of time constant L/R as a function of DC working voltage

Max. AC voltage (50/60 Hz):
900 V with breaking capacity of 100 kA

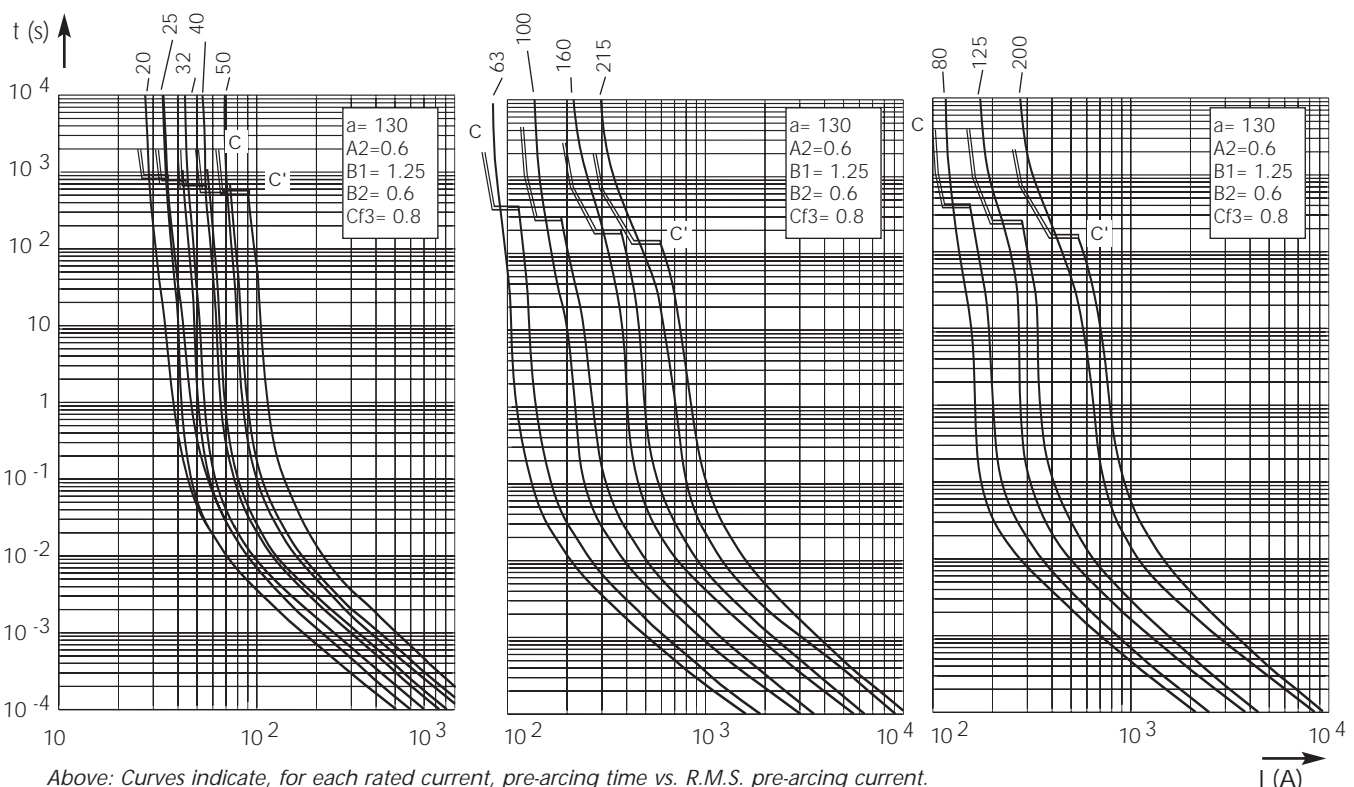
Peak arc voltage vs. working voltage



1 : L/R = 45 ms
2 : L/R = 15 ms

Above: Curves indicate for various time constants L/R the peak arc voltage, which may appear across fuse terminals, vs. DC working voltage

Time vs. current characteristics

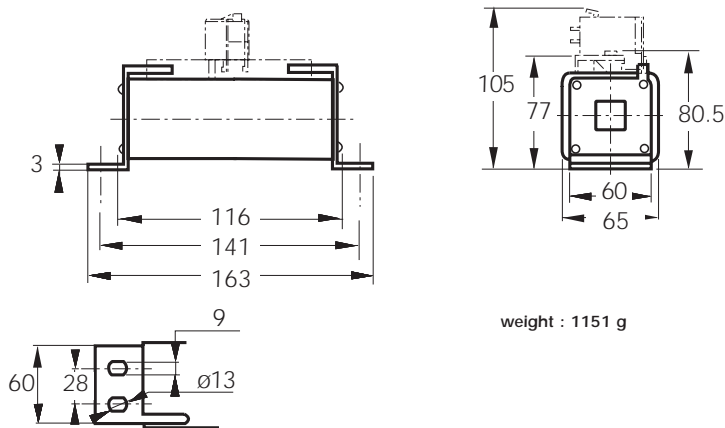


Above: Curves indicate, for each rated current, pre-arcing time vs. R.M.S. pre-arcing current.

DC Square-body Fuses Sizes 70- 72 - 2x72 SR 1200V DC

Size 72
SRG from 160 to 420 A

Dimensions



weight : 1151 g



Main Characteristics

Size	Current rating I_N (A)	Breaking Capacity	Watts loss		Max. I^2t @ 1000 V		Designation	Ref. Number	Catalog Number
			0.8 I_N (W)	I_N (W)	L/R = 15 ms (A ² S)	L/R = 45 ms (A ² S)			
72	160	@ 1200 V DC 100 kA L/R = 15 ms	41	77.5	12000	20000	CC 12 SRG 72 QF 0160	K079428	D72SG120V160QF
	200		48	88	21000	36000	CC 12 SRG 72 QF 0200	L079429	D72SG120V200QF
	250		57	96	45500	78500	CC 12 SRG 72 QF 0250	M079430	D72SG120V250QF
	315		60	110	90000	154000	CC 12 SRG 72 QF 0315	N079431	D72SG120V315QF
	400		66	129	182000	314000	CC 12 SRG 72 QF 0400	P079432	D72SG120V400QF
	420		67	131	220000	380000	CC 12 SRG 72 QF 0420	Q079433	D72SG120V420QF

Microswitch: MC 3E 1-5N Ref. Number: D310020

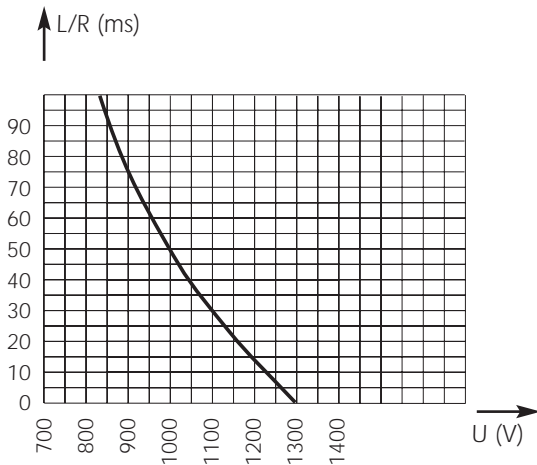
Pack: 1 piece



DC Square-body Fuses Sizes 70- 72 - 2x72 SR 1200V DC

Size 72
SRG from 160 to 420 A

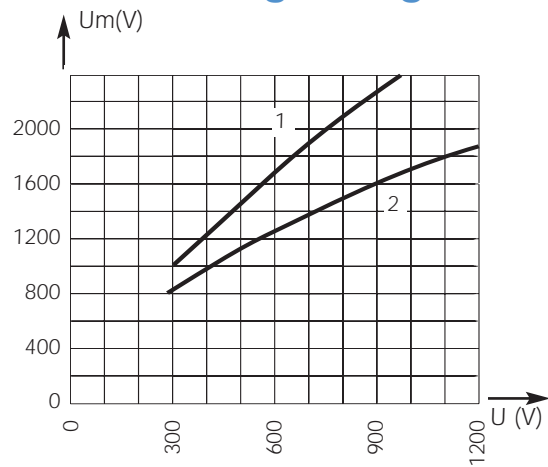
Electrical characteristics DC applications data



Above: Curve indicates maximum permissible value of time constant L/R as a function of DC working voltage

Max. AC voltage (50/60 Hz):
900 V with breaking capacity of 100 kA

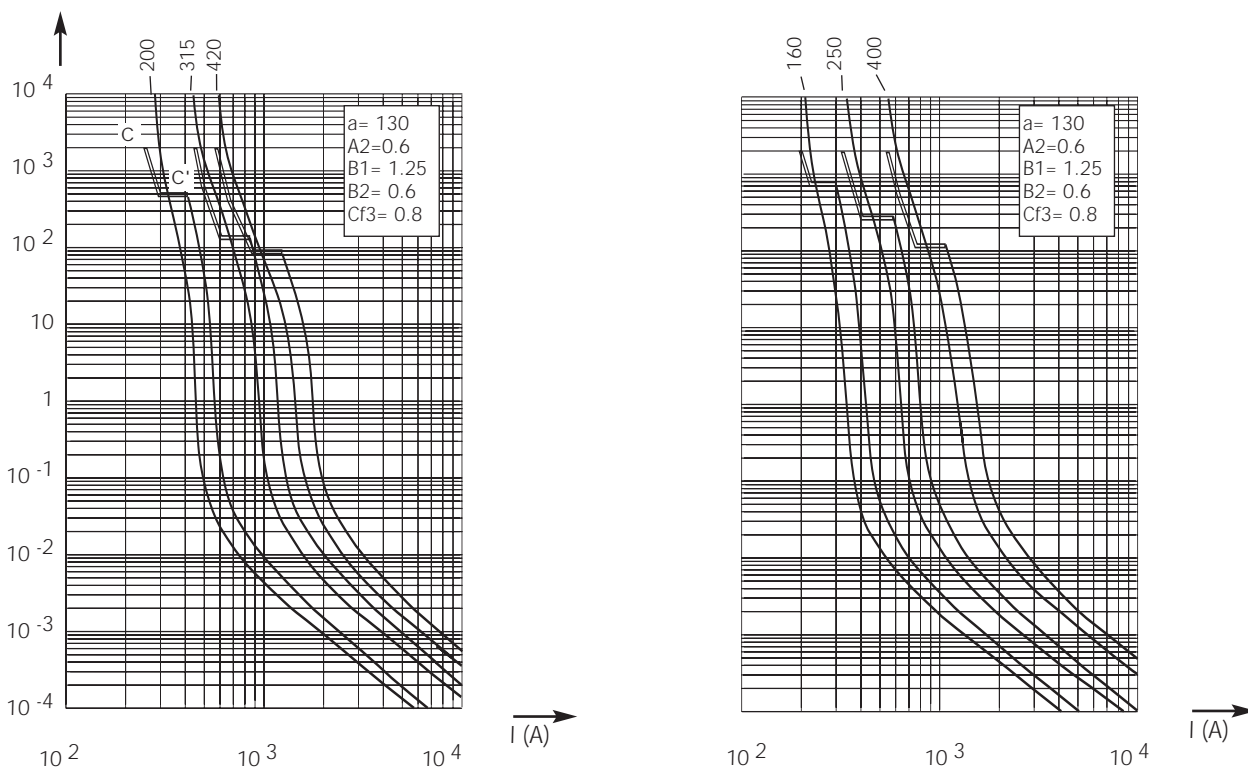
Peak arc voltage vs. working voltage



1 : L/R = 45 ms
2 : L/R = 15 ms

Above: Curves indicate for various time constants L/R the peak arc voltage which may appear across the fuse terminals, vs. DC working voltage

Time vs. current characteristics

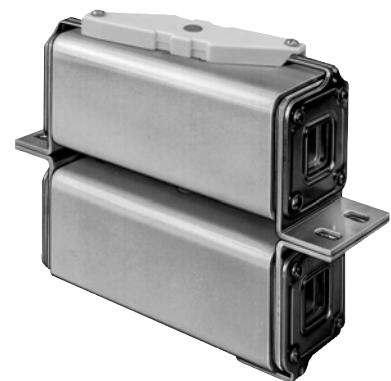
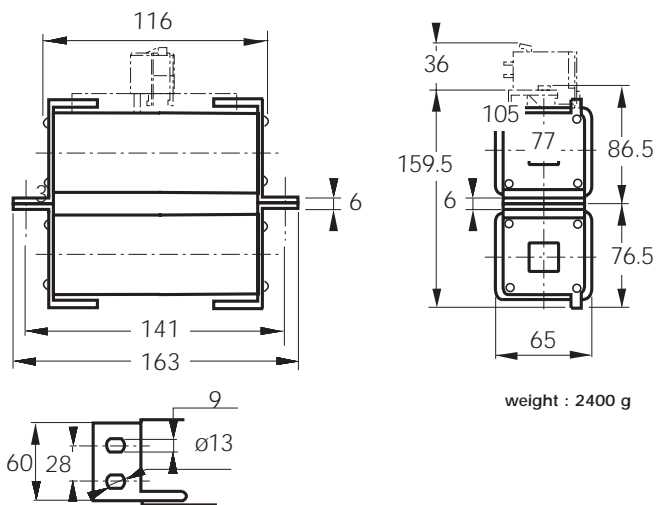


Above, left and right: These curves indicate, for each rated current, pre-arcing time vs. R.M.S. pre-arcing current.

DC Square-body Fuses Sizes 70- 72 - 2x72 SR 1200V DC

Size 2x72
SRG from 500 to 840 A

Dimensions



Main Characteristics

Size	Current rating I_N (A)	Breaking Capacity	Watts loss		Max. I^2t @ 1000 V		Designation	Ref. Number	Catalog Number
			$0.8 I_N$ (W)	I_N (W)	L/R = 15 ms (A ² S)	L/R = 45 ms (A ² S)			
2x72	500	@ 1200 V DC 100 kA L/R = 15 ms	120	202	182000	314000	CC 12 SRG 272 QF 500	P077983	D 272 SG 120V 500 QF
	630		126	230	360000	616000	CC 12 SRG 272 QF 630	F079447	D 272 SG 120V 630 QF
	800		139	270	728000	1.25 10 ⁶	CC 12 SRG 272 QF 800	G079448	D 272 SG 120V 800 QF
	840		142	275	880000	1.53 10 ⁶	CC 12 SRG 272 QF 840	H079449	D 272 SG 120V 840 QF

Microswitch: MC 3E 1-5N Ref. Number: D310020

Pack: 1 piece

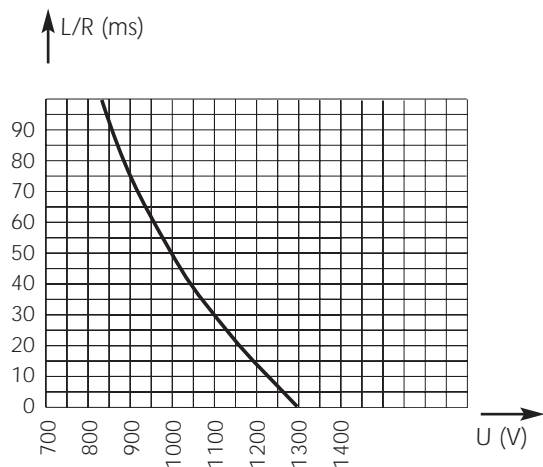


DC Square-body Fuses Sizes 70- 72 - 2x72 SR 1200V DC

Size 2x72
SRG from 500 to 840 A

Electrical characteristics

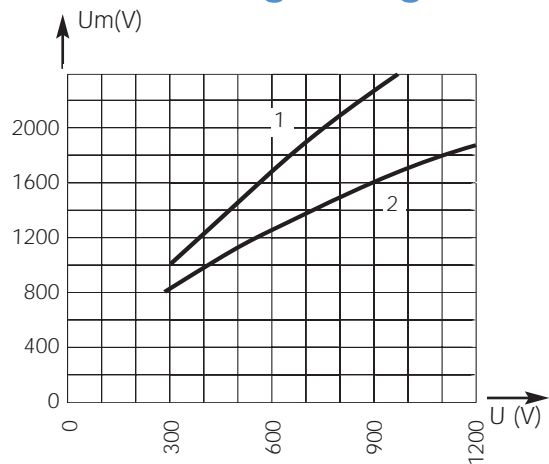
DC applications data



Above: Curve indicates maximum permissible value of time constant L/R as a function of DC working voltage

Max. AC voltage (50/60 Hz):
900 V with breaking capacity of 100 kA

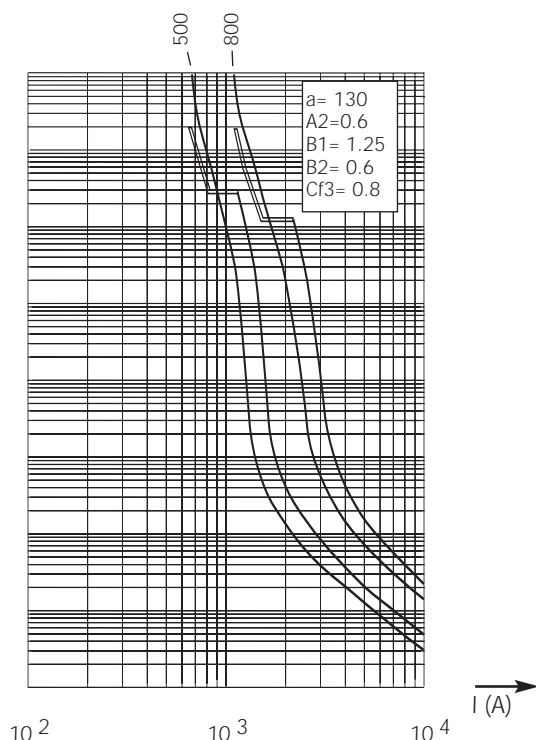
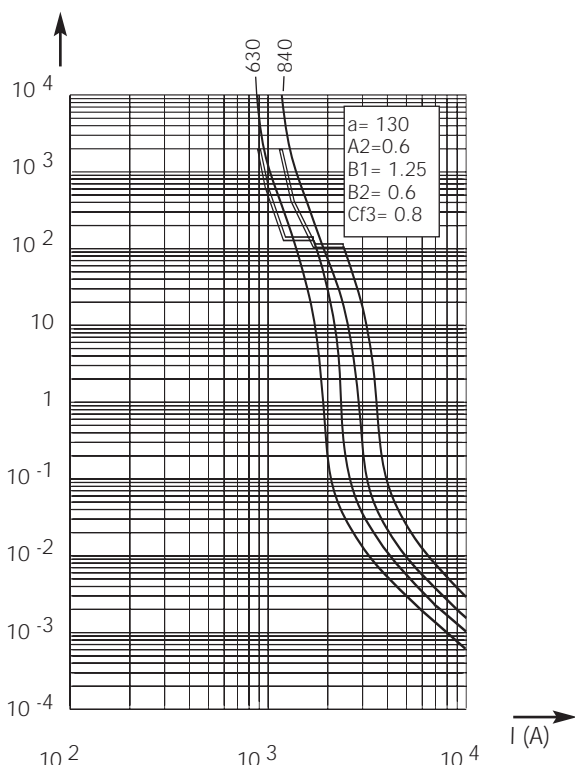
Peak arc voltage vs. working voltage



1 : L/R = 45 ms
2 : L/R = 15 ms

Above: Curves indicate for various time constants L/R the peak arc voltage which may appear across the fuse terminals, vs. DC working voltage

Time vs. current characteristics

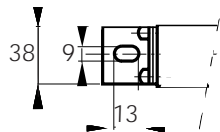
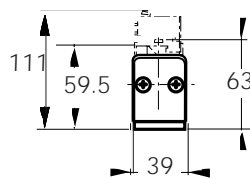
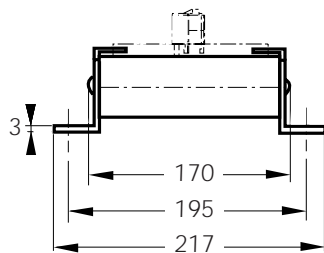


Above, left and right: These curves indicate, for each rated current, pre-arcing time vs. R.M.S. pre-arcing current.

DC Square-body Fuses Sizes 120- 122 - 2x122 SR 2000V DC

Size 120
SRC from 20 to 215 A

Dimensions



Weight : 900 g



Main Characteristics

Size	Current rating I_N (A)	Breaking Capacity	Watts loss		Max. I^2t @ 1600 V		Designation	Ref. Number	Catalog Number
			0.8 I_N (W)	I_N (W)	L/R = 15 ms (A ² S)	L/R = 45 ms (A ² S)			
120	20	@ 2000 V= 100 kA L/R = 15 ms	8	16	180	310	CC 20 SRC 120 QF 0020	J079450	D120SC20C20QF
	25		12.5	25	180	310	CC 20 SRC 120 QF 0025	K079451	D120SC20C25QF
	32		14.5	29.5	350	610	CC 20 SRC 120 QF 0032	L079452	D120SC20C32QF
	40		17.5	36	580	1000	CC 20 SRC 120 QF 0040	M079453	D120SC20C40QF
	50		20.5	42	1030	1800	CC 20 SRC 120 QF 0050	N079454	D120SC20C50QF
	63		26	53.5	1600	2800	CC 20 SRC 120 QF 0063	P079455	D120SC20C63QF
	80		30	61.5	3100	5400	CC 20 SRC 120 QF 0080	Q079456	D120SC20C80QF
	100		35	70.5	5800	10000	CC 20 SRC 120 QF 0100	R079457	D120SC20C100QF
	125		43	87.5	9200	16000	CC 20 SRC 120 QF 0125	S079458	D120SC20C125QF
	160		49	99	19200	33200	CC 20 SRC 120 QF 0160	T079459	D120SC20C160QF
	200		49.5	101	45000	78500	CC 20 SRC 120 QF 0200	V079460	D120SC20C200QF
215	52	106	55000	95000	CC 20 SRC 120 QF 0215	W079461	D120SC20C215QF		

Microswitch: MCR 3E 1-5N BS Ref. Number : G310023

Pack: 1 piece

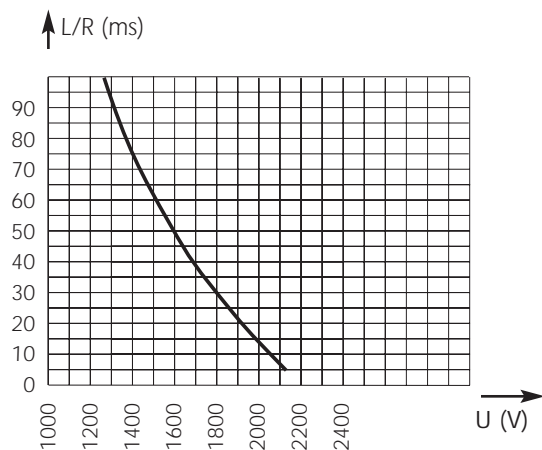


DC Square-body Fuses Sizes 120- 122 - 2x122 SR 2000V DC

Size 120
 SRC from 20 to 215 A

Electrical characteristics

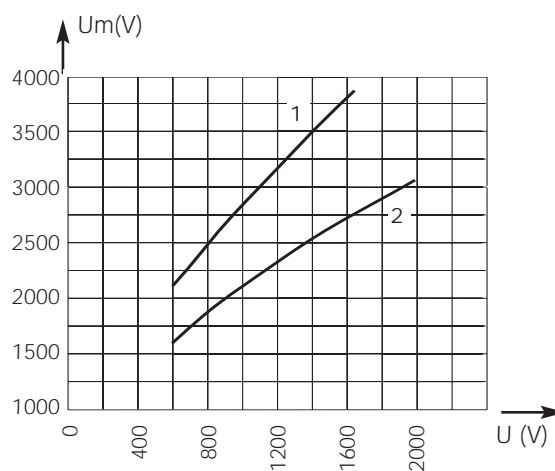
DC applications data



Above: Curve indicates the maximum permissible value of time constant L/R as a function of the DC working voltage

Max. AC voltage (50/60 Hz):
 1500 V with breaking capacity of 100 kA

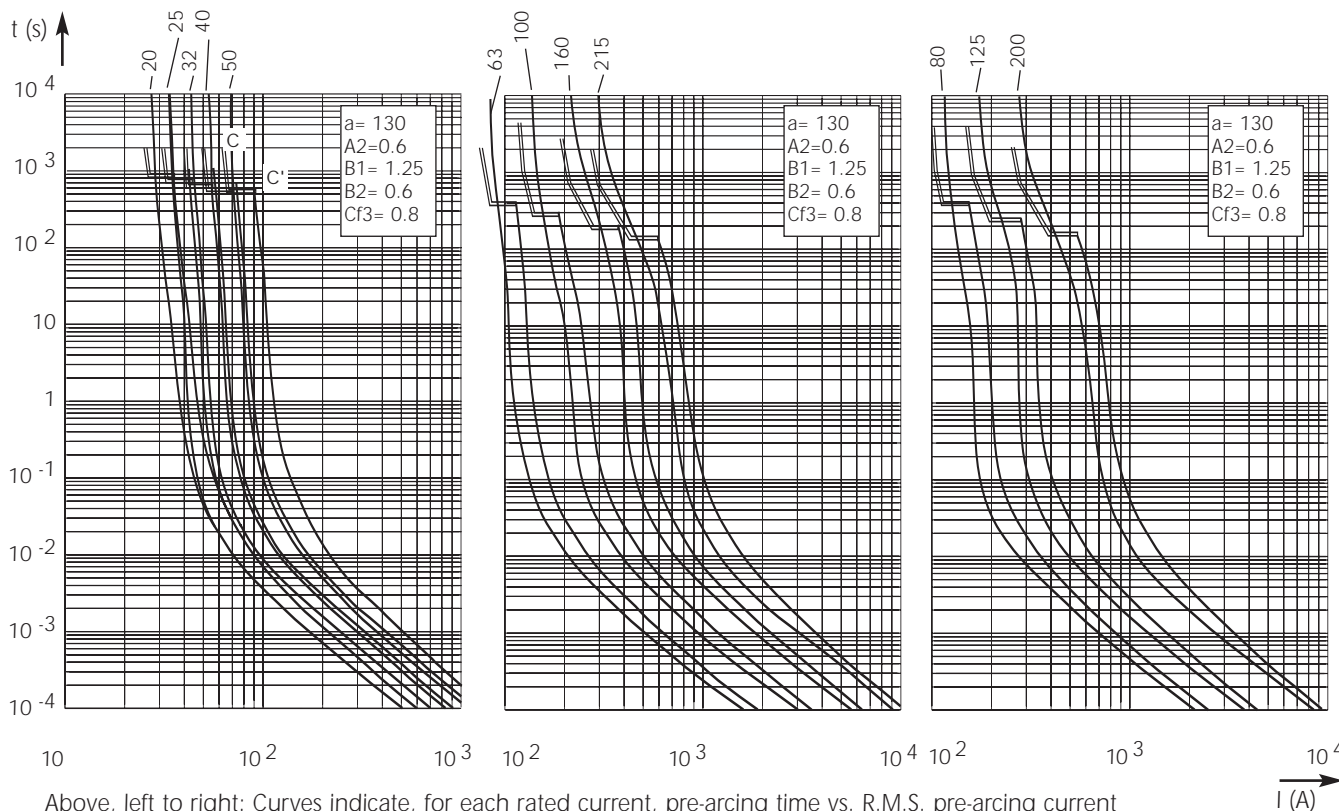
Peak arc voltage vs. working voltage



1 : L/R = 45 ms
 2 : L/R = 15 ms

Above: Curves indicate for various time constants L/R the peak arc voltage which may appear across the fuse terminals, vs. DC working voltage

Time vs. current characteristics



Above, left to right: Curves indicate, for each rated current, pre-arcing time vs. R.M.S. pre-arcing current