

**ebm-papst St. Georgen GmbH & Co. KG**

Hermann-Papst-Str. 1

D-78112 St. Georgen

Phone +49 (0) 7724 81-0

Fax +49 (0) 7724 81-1309

info2@de.ebmpapst.com

www.ebmpapst.com

**Nominal data**

| Type                     | 3850              |      |
|--------------------------|-------------------|------|
| Phase                    |                   | 1~   |
| Nominal voltage          | VAC               | 230  |
| Frequency                | Hz                | 50   |
| Speed (rpm)              | min <sup>-1</sup> | 1750 |
| Power consumption        | W                 | 9.0  |
| Min. ambient temperature | °C                | -10  |
| Max. ambient temperature | °C                | 75   |
| Air flow                 | m <sup>3</sup> /h | 49   |
| Sound power level        | B                 | 3.7  |
| Sound pressure level     | dB(A)             | 24   |

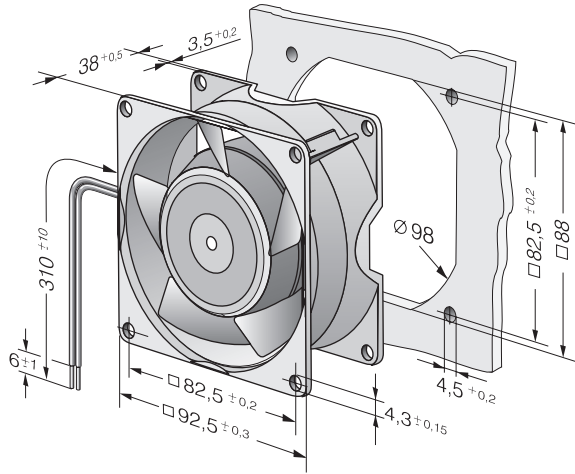
ml = Max. load · me = Max. efficiency · fa = Free air · cs = Customer specification · ce = Customer equipment  
Subject to change



**Technical description**

|  |  |
|--|--|
| <b>Weight</b>                                  | 0.420 kg   |
| <b>Dimensions</b>                              | 92 x 92 x 38 mm                                    |
| <b>Impeller material</b>                       | Sheet steel, painted black                         |
| <b>Housing material</b>                        | Die-cast aluminum                                  |
| <b>Part no.</b>                                | 9244014707   |
| <b>Airflow direction</b>                       | Exhaust over struts                                |
| <b>Direction of rotation</b>                   | Clockwise, viewed toward rotor                     |
| <b>Bearing</b>                                 | Sintec sleeve bearing                              |
| <b>Service life L10 at 40 °C</b>               | 60000 h  |
| <b>Service life L10 at maximum temperature</b> | 27500 h  |
| <b>Cable</b>                                   | With 2 leads AWG 18, TR 64<br>Grounding lug M4 x 8 |
| <b>Motor protection</b>                        | Protected from overload by impedance protection    |
| <b>Approval</b>                                | VDE, CSA, UL, CE                                   |

## Product drawing



## Curves: Air performance

