

MS86M Series LED Multi Color D86mm LED 3 Colors in 1 Signal Strob Lights

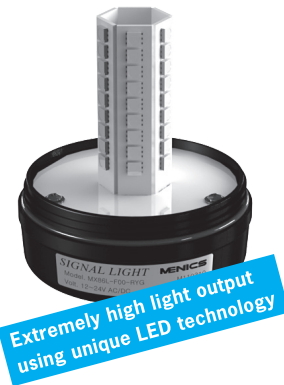


With high-brightness LED as its light source, the flashing light has a high effect of radiating signal light to ensure an accurate signal transmission even under worse conditions such as permanent fog and dust.



Min10 -Max 100dB at 1m (Adjustable volume)

- 3 colors in 1 LED modular components
- High Brightness LED light distribution through prism-cut lenses
- DC multi-voltage version (DC 12~24V)
- Shockproof and vibration resistant
- The streamlined warning light is suitable for patrol cycles, emergency, vehicles and ambulance cars.
- Extremely high light intensity



Ordering Information

MS86M - F 00 - RYG

① ② ③

1. Light Style

F	LED Steady + Flashing
B	LED Steady + Flashing + Buzzer

2. Power Supply

00	12~24V DC
FF	90~240V AC

3. LED Colors

RYG	Red, Yellow, Green
RGB	Red, Green, Blue

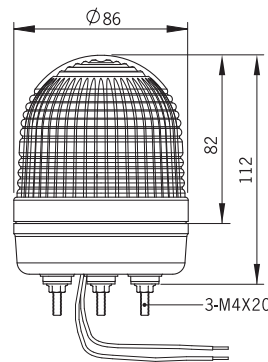


■ Steady light ■ Flashing light-1 ■ Flashing light-2

General Specifications

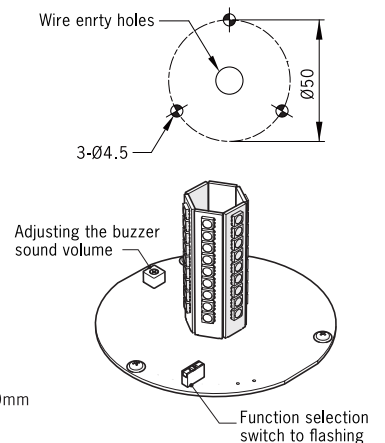
Operation/Function	LED Steady , Flashing , Buzzer	
Power Supply	AC/DC 12~24V , AC 90~240V	
Buzzer Sound Level	10 ~ 100 ±5 dB (at 1M) volume adjustable	
Lens Diameter	86 mm	Lens Color: Clear
Body Materials	ABS	Cap Materials: PC
Flashing Rate	F1: 80 ±5 flashes per minute F3: Continuous 4 flashes - 80 ±5 flashes per minute (Emergency Signal lights)	
Feature set	Lead wire Connection	
Insulation Resistance	100 MΩ minimum (500V DC megger)	
Vibration	0.75mm at 10~55Hz	
Ambient Temperature	-20°C~40°C	
Storage Temperature	-40°C ~ 70°C	
Ambient Humidity	45~85% RH	
Degree of Protection	IP65	
Approvals	RoHS	
Recommended Wire Size	1007 UL / 22AWG	
Weight	Approx. 150g	

Dimensions (unit: mm)



Power supply wire From wire exit 800mm

▶ Base Hole Mounting

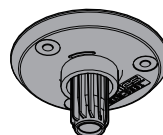


Current Draw (Steady standards and current value)

Volt.	LED	Red , Yellow , Green , Blue LED	Buzzer
12V DC		Max. 400 mA	150mA (Instantaneous inrush current: 300mA)
24V DC		Max. 250 mA	
90~240V AC		30~50 mA	

Optional Orders

1. Pole mount adaptor



MAM-DS31
ABS resin

2. Wall Mount Brackets



MAP-DS30
ABS resin



MAM-DS26
Steel

See Page 34 ~ 36
for Mounting Options and Accessories.

