

anyfeed™ SXM50

Universal, programmable parts supply systems



- › Innovative, highly flexible feeder technology for all robots
- › Maximum availability thanks to automatic error correction
- › Minimal changeover times when changing products
- › Automatic parts emptying at the touch of a button
- › Minimal footprint– anyfeed replaces several conventional feeders
- › Exceptionally gentle parts handling
- › Standardized communication with all models
- › Simple serving thanks to the use of identical servo-electric drives in all models

Application area

Assembly, Inspection technology, Packing/Counting, Maschine loading

Ideal for parts:



≤ 15 mm

≤ 0.1 mm

≤ 2 g

5-45 °C

Dry

System requirements: In addition to the selected anyfeed model, the following components are required for a flexible feeding solution: robots with grippers, vision system (we recommend feedWare CX / Cognex In-Sight from flexfactory), lighting, base plate for the construction of all components, robot application for the movement sequence and the data exchange. Robot vision feeder.

anyfeed™ feeder systems for robots

anyfeed flexible bulk parts feeders singulate and deliver bulk parts into the pick up zone of an industrial robot. Part flow and reorientation of parts in the feeder is controlled by feedWare CX - a Cognex In-Sight-based vision solution specifically developed and optimized by flexfactory for flexible part feeding applications. The universal bulk parts feeding solution is in operation with over 18 commercially available robot brands.



feedware™ CX-Software solution

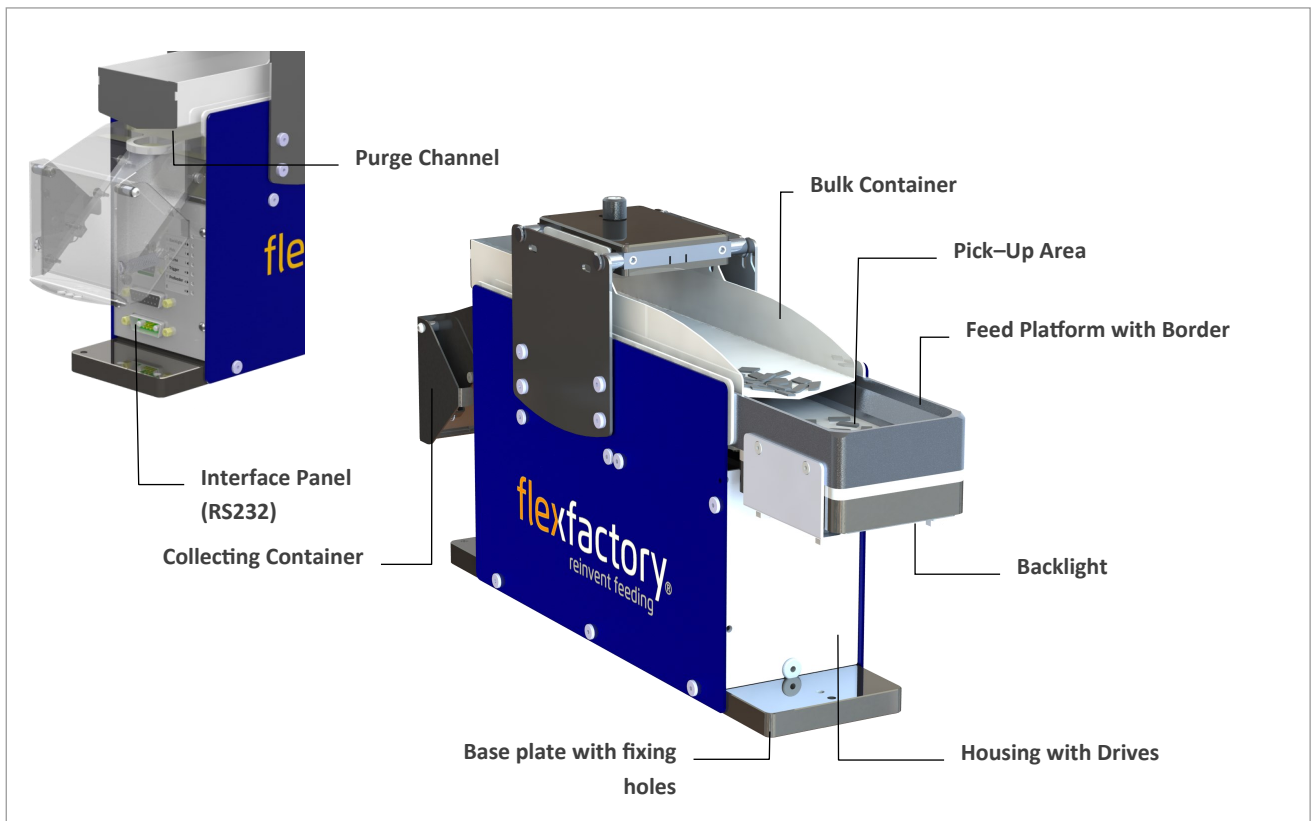
It is the ideal and proven solution for turning any anyfeed model and any robot into a complete parts supply system – in next to no time and with the greatest of ease. The Cognex In-Sight camera installed above the window identifies correctly oriented parts and transfers the picking coordinates to the robot's control system.

feedware CX continuously monitors the parts in the pick window and sends action commands to the anyfeed telling it to make more parts available for the robot. feedware CX is also responsible for teaching the system to handle new parts, parameterizing feed characteristics, calibrating robot-to-vision coordinates, and defining pick-points and clear-grip zones.

flexfactory supplies the full package, including a Cognex In-Sight camera with feedware CX preloaded. The company also provides the appropriate lighting and optics and helps customers get the entire solution up and running.

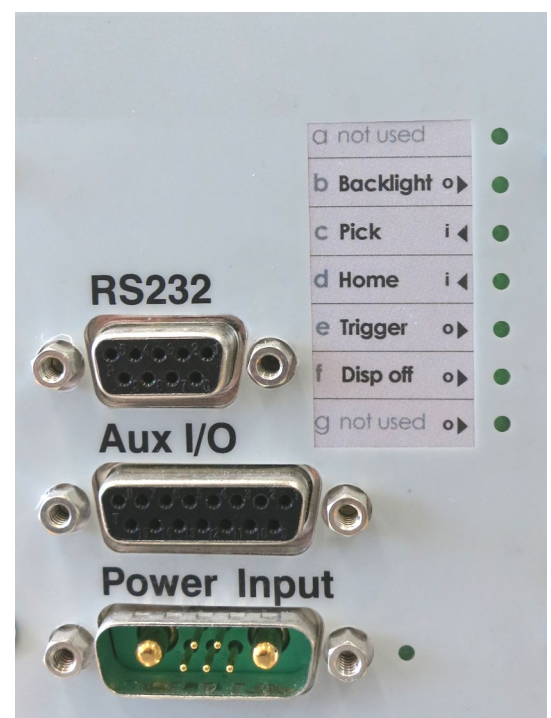


Part description



Electrical Connections - anyfeed SXM50

Function	Connec-tingtyp	Pin	Allocation	Cabel
Motor Power	D-Sub-M 2+5,	A1	24VDC in	Nr.1 (red)
	Male	A2	GND	Nr.2 (blue) Shield
RS232	D-Sub 9, Female	2	Tx	D-Sub 9, Male - Female
		3	Rx	
		5	GND	
Aux I/O	D-Sub 15, Female	1	Trigger out	
		4	GND	
		5	GND	
		6	24VDC out	
		7	24VDC out	
		8	Pick in	
		9	Flash in	


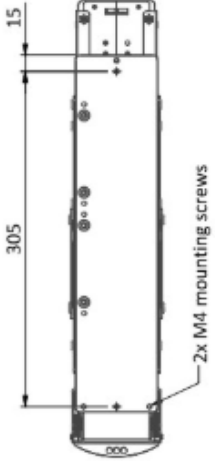
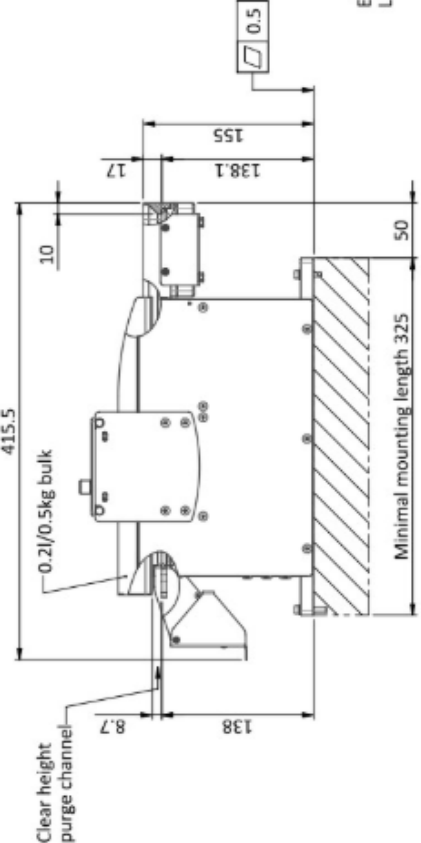
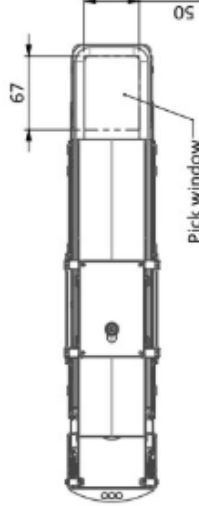
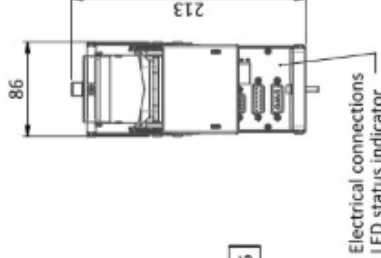


Technical Specifications

Capacity Bulk Container	0.3 dm ³
Field of Vision (FOV)	50x67 mm
Pick-Up Area	34 cm ² (5x6.7cm)
Unevenness Pick-Up Area	0.1 mm
Repeat-precision Feederplatform in z	± 0.05 mm
Max. weight on surface (FOV)	50 g
Plate level (parts)	138 mm
Border height	17 mm
Light height of Purge Channel	9.7 mm
Power Requirements	24 V/ 10 A
Typical consumption	50 W (depeding on operating mode)
Compressed Air	-
Eccentricity Feed Surface	± 1.5 mm
Eccentricity Bulk Container	± 0.5 mm
Interface	RS232 (DSUB9 Female)
Drive	2 brushless servo dirves
Temperature	5-45 °C
Humidity	95 % non-condensing
Weight	7 kg

Standard Materials

Housing with Drives	WN 1.4301 / aluminium painted / anodized
Feeder Platform	Aluminium chemically nickel-plated
Border Feeder Platform	WN 1.4301
Bulk Container	WN 1.4301
Feed Surface	POM-C Natur (Standard)

    	<p>Item Nr.</p> <p>900-000-207</p>	<p>Description</p> <p>anyfeed™SXM50</p>
---	---	--

All dimensions in

