

MULTIBLOC® 4a.ST8

Size 4a, 690VAC, 1250A, 690VAC, Design for Bottom Fitting, 1-, 3-pole

NH Fuse Switch Disconnecter

The production programme of MULTIBLOC® series 4a.ST8 - 1250 A comprises NH fuse switch disconnectors for 1250A.

They are designed for bottom fitting/panel installation and are available in single pole and triple pole units.

MULTIBLOC® size 4a are designed for NH fuse-links in accordance with IEC/EN 60269-2, VDE 0636-2, size 4a, 1250A.

MULTIBLOC® offers the user the possibility of fast and easy installation as well as a high degree of security during installation and maintenance.

Features Benefits

- Touch protection IP 20

Applications

- Panel boards for industrial use
- Feeder pillars for industrial use
- Meter distribution units
- Measuring transformer cabinets
- Transmitting stations for telecommunications

Technical data overview

Volt (VAC)	690 VAC
Volt (VDC)	440 VDC
Amper (A)	1200 A
Size per Standard	4a
Mounting	bottom fitting/panel
SCCR	Ue = AC 400 V; Ie = 1250 A 50kA Ue = AC 500 V; Ie = 1250 A 50kA Ue = AC 690 V; Ie = 1250 A 50kA
Switchability	1-,4-pole switching



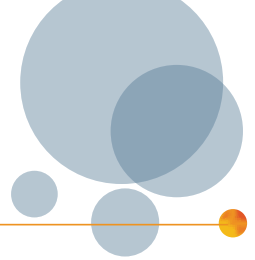
Standards

IEC/EN 60 947-3
For NH-fuse links size 4a in accordance with IEC/EN 60 269-2, VDE 0636-2



MULTIBLOC® 4a.ST8

Size 4a, 690VAC, 1250A, 690VAC, Design for Bottom Fitting, 1-, 3-pole



Product range



1.000.083

MULTIBLOC® 4a.ST8 size 4a 1250 A, 690 V AC bottom fitting, single pole

Catalog number	Reference number	Poles	Cable termination components	Weight kg ¹⁾	Package
1.000.083	T1023080	1	M16 terminal screws	4.10	1 piece



1.000.089

MULTIBLOC® 4a.ST8 size 4a 1250 A, 690 V AC bottom fitting, triple pole

Catalog number	Reference number	Poles	Cable termination components	Design	Weight kg ¹⁾	Package
1.000.089	V1023081	3	M16 terminal screws	single pole switching	12.50	1 piece
1.000.090	W1023082	3	M16 terminal screws	triple pole switching	12.50	1 piece



1.000.090

Technical data in accordance with EN / IEC 60947

	4a.ST8 single pole	4a.ST8 triple pole
Installation mode	bottom fitting	bottom fitting
Size	4a	4a
Number of poles/phases	1	3
Conventional free air thermal current with NH-fuse links I_{th}	1250 A	1250 A
Max. power dissipation of fuse links P_n	115 W	115 W
Conventional free air thermal current with solid links I_{th}	1500 A	1500 A
Max. power dissipation of solid links P_n	42 W	42 W
Utilization category to IEC/EN 60947-3 $U_e = AC 400 V; I_e = 1250 A$ $U_e = AC 500 V; I_e = 1250 A$ $U_e = AC 690 V; I_e = 1250 A$ $U_e = DC 440 V; I_e = 1250 A$	AC 22 B AC 22 B AC 21 B DC 21 B	AC 22 B AC 22 B - DC 21 B
Rated operational voltage U_e	690 V	690 V
Rated insulation voltage U_i	800 V	800 V
Rated impulse withstand voltage U_{imp}	8 kV	8 kV
Rated frequency	50 ... 60 Hz	50 ... 60 Hz
Degree of protection	IP 20	IP 20
Degree of pollution	3	3
Rated duty	uninterrupted duty	uninterrupted duty
Rated short circuit making capacity with solid links I_{cm}	100 kAsw	100 kAsw
Rated short circuit making capacity with fuse links $U_e = AC 400 V; I_e = 1250 A$ $U_e = AC 500 V; I_e = 1250 A$ $U_e = AC 690 V; I_e = 1250 A$	50 kA 50 kA 50 kA	50 kA 50 kA 50 kA
Rated short circuit withstand current I_{cw}	50 kA / 1 s	50 kA / 1 s
Power dissipation by I_{th} without NH-fuse links	55 W	180 W
Power dissipation by I_{th} without solid links	55 W	180 W

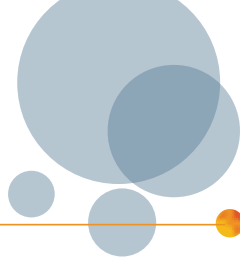
Cable terminal connection

	4a.ST8 single pole	4a.ST8 triple pole
Standard cable terminal	M16	M16
for copper bars with max. dimensions	50 x 10 mm	50 x 10 mm

1) weight in kg per piece or set including package

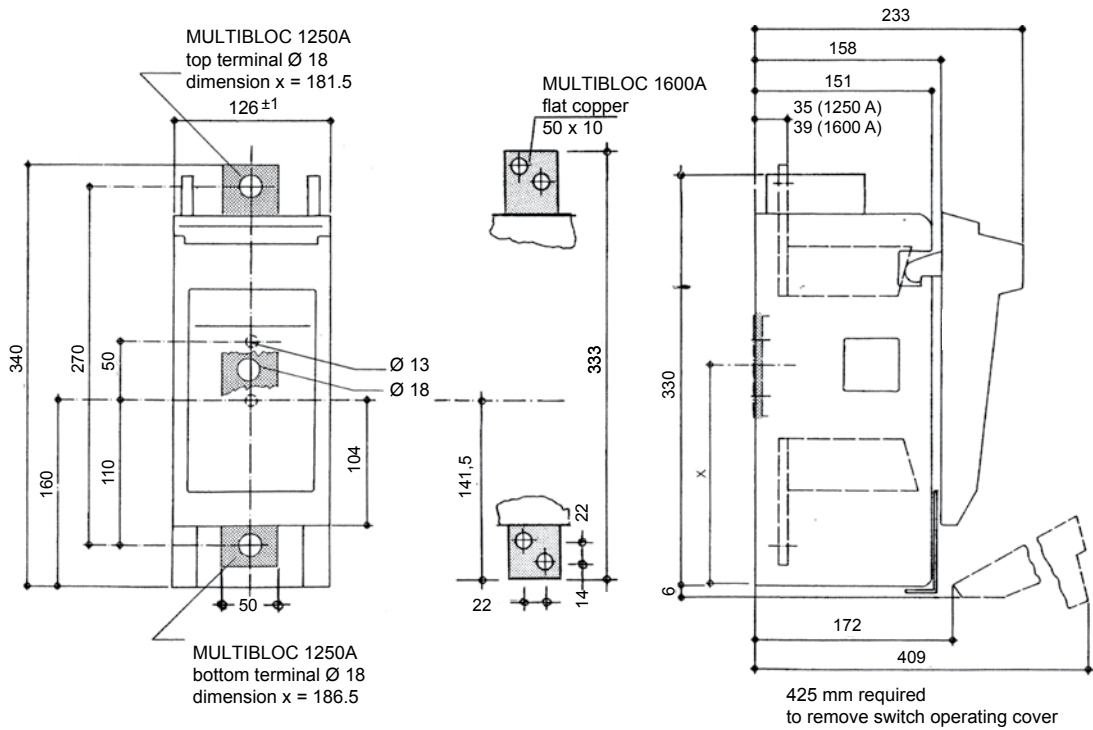
MULTIBLOC® 4a.ST8

Size 4a, 690VAC, 1250A, 690VAC, Design for Bottom Fitting, 1-, 3-pole



Dimensions

MULTIBLOC® 4a.ST8 NH-fuse switch disconnecter single pole design for bottom fitting (M02002)



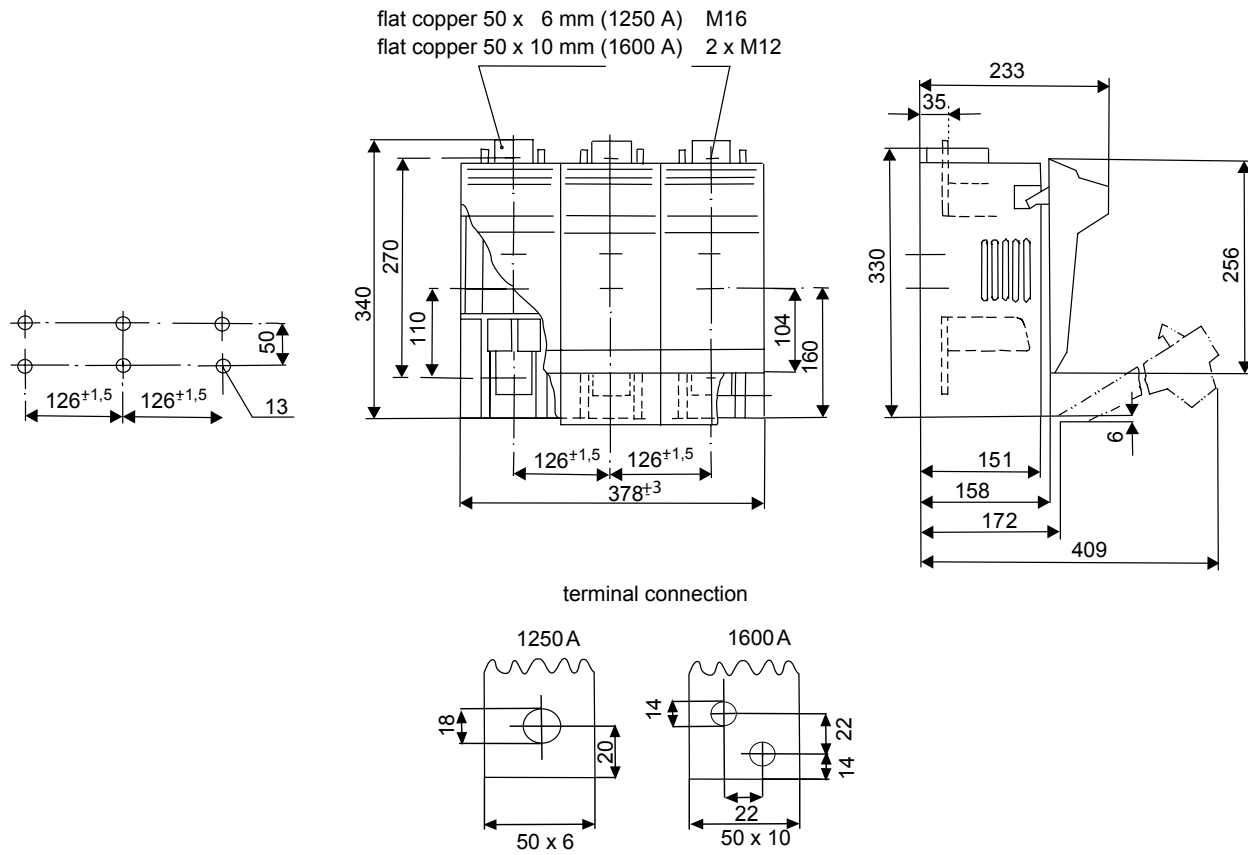
Dimensions in mm

MULTIBLOC® 4a.ST8

Size 4a, 690VAC, 1250A, 690VAC, Design for Bottom Fitting, 1-, 3-pole

Dimensions

MULTIBLOC® 4a.ST8 NH-fuse switch disconnecter triple pole design for bottom fitting (M02003a)



Dimensions in mm