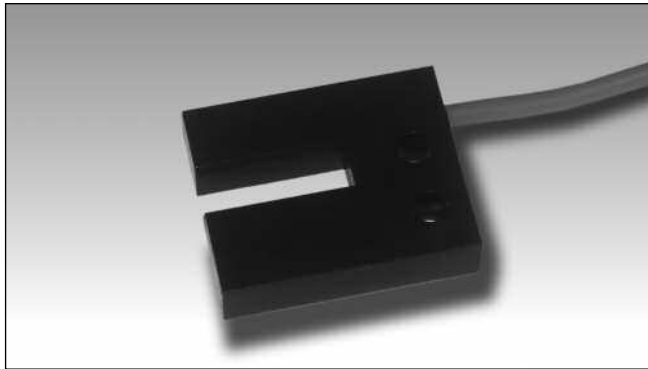


Proximity Magnetic Sensors Slot Sensors ISY Series



- Slot plastic housing
- NC or CO output functions
- Minimum air gap from ferromagnetic parts 10 mm

Product Description

In ISY series the minimum air gap from ferromagnetic parts is 10 mm; the minimum distance between the fixing holes of two contiguous switches is 10 cm.

The optimum dimensions concerning soft iron actuators is 20 x 50 x 1 for ISY models.

Ordering Key

ISY C 3

Type _____
 Output function _____
 Reed contact type _____

Type Selection

Housing dimensions	Connection	Output function	Reference
45 x 37 x 10	PVC cable L= 0.5m	NC	ISY C 3
45 x 37 x 10	PVC cable L= 0.5m	CO	ISY S 1

Dimensions are specified in millimeters (mm)

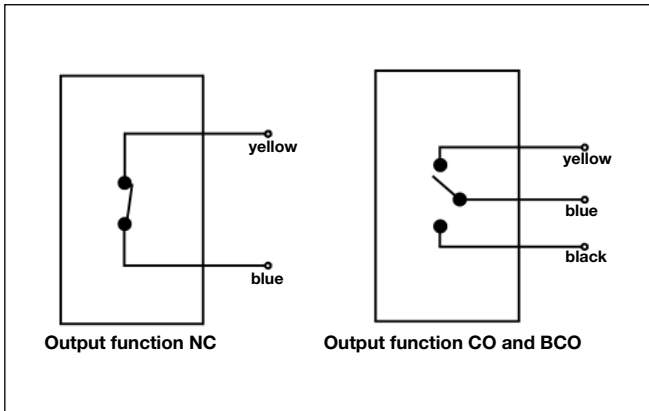
Output Specifications

Output	NC
ISYC3	Change-over
ISYS1	
Contact ratings	
Max Switching Voltage	
ISYC3	500 VAC
ISYS1	100 VAC
Max Switching Current	
ISYC3	0.5 A
ISYS1	0.25 A
Max Switching Power	
ISYC3	10 VA
ISYS1	5 VA

General Specifications

Ambient temperature	
Operating	-25 to +75 °C
Environment	
Degree of protection	IP 67
Housing	
Dimensions	45 x 37 x 10 mm
Material	Plastic
CE-marking	Yes

Wiring Diagrams



Dimensions

