

UL Low Voltage General Purpose Protection

Modular fuse-holders

UltraSafe™ US10

The Innovative and comprehensive UltraSafe™ range of Mersen fuse-holders. Modular fuse-holders are finger-safe under IEC standards to an IP20 grade of protection, including fuse changing (with the flick of a finger). Modular fuse-holders are available in 1, 2, 3 or 4 poles, with or without visual blown fuse indicators, in UL + IEC version. Multi-pole units can also be field assembled by ordering pin-ties assembly kit. In size 14 or 22, the range also offers the possibility to use microswitches (supplied with the holders or ordered separately) to allow remote indication. UltraSafe™ range is made of tough and durable thermoplastic or thermoset material.



Benefits

- Finger safe
- Optional visual blown fuse indicator & microswitch
- Din rail mounting
- Modular design
- Lockable
- Multi-pole assembly kit available
- Sealable in closed and open position

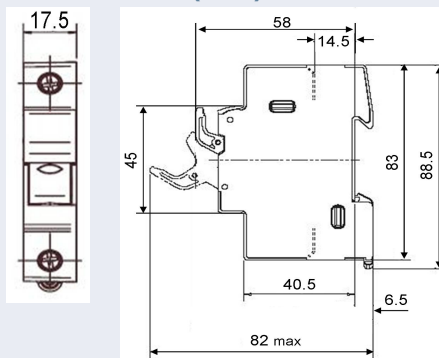
Applications

- All circuits up to 690V for protection of motors, transformers, low voltage distribution, control circuits, drive protection.
- Non-load operation.

UltraSafe™ fuse-holders for 10.3x38.1 fuse-links

No of Poles	Catalog Number w/o blown fuse indicator	Reference Number w/o blown fuse indicator	Catalog Number with blown fuse indicator	Reference Number with blown fuse indicator	No of Mod. (17.5mm)	Pack.
N	US10N	H305056	-	-	1	12
1	US101	B305050	US101I	J305057	1	12
1+N	US101N	C305051	US101NI	K305058	2	6
2	US102	D305052	US102I	L305059	2	6
3	US103	E305053	US103I	M305060	3	4
3+N	US103N	F305054	US103NI	N305061	4	3
4	US104	G305055	US104I	P305062	4	3

Dimensions (mm)



Recommended fuse usage

- 10x38 aM, gG fuse-links with and w/o striker
- 10x38 gR w/o striker
- 10x38 HP6M fuse-links
- 10x38 ATQ, ATM, OTM, TRM, DCT fuse-links

Ratings

- $U_i = 690V$ AC/DC
- $I_{th} = 32A$, $I_e < / = 32A$
- Max. fuse power loss = 3W
- Utilization category: AC20B/DC20B
- $U_{imp} = 6kV$
- Protection: IP20
- Voltage limit for blown fuse indicator: 230 to 690V AC/DC

Approvals

- UL Recognized Component, UL4248, guide IZLT2, file E52283
- CSA Certified C22.2, class 6225, file 32169
- IEC 60269-2 and IEC 60947-3 Compliance
- RoHS Compliant
- Plastic material: NF 16101 & 16102 Requirement 2 Compliant
- Shock and vibration tested for marine and railway applications



UL Low Voltage General Purpose Protection

Modular fuse-holders

UltraSafe™ US10



Technical characteristics

Shock and vibration

Vibration withstand on the 3 main axis*:

- Sinusoidal vibration testing according to IEC 60068-2-6
2 to 13Hz x= 1 mm peak according to french marine application
13 to 100Hz y= 0.7g peak
- Random vibration testing according to IEC 61373
Category Class B

Shock withstand on the 3 main axis*:

- Shock testing according to IEC 61373 Category 1 Class B
- Shock testing according to IEC 60068-2-27 15g/11ms/18 shocks

*For specific usage please contact us

Connection

Max. tightening torque: 2.2Nm (19lb-in)

Wire range

- Rigid wire = 1-16mm² (16-6AWG)
- Multistrand wire = 0.75-10mm² (18-8AWG)

PZ2 or flat 5.5x1mm screw drivers recommended
(max. diameter 6mm)

Plastic material

Plastic material UL94V2 mini

Flame retardant materials with glow wire
flammability index to 960°C

Operating temperature: -25°C +60°C (1)

Storage temperature: -25°C +80°C

(1) See derating table

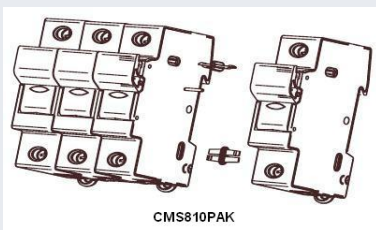
Specific usage conditions

Ambient temperature	>20°C	30°C	40°C	50°C	60°C
Derating factor (Ie)	1	0.95	0.9	0.8	0.7

No of poles	1 to 3	>= 4
Derating factor of current (Ith)	1	0.9

Nominal Current (A) of fuse-link gR	Max. operational current in fuse-holder (A)	Cable wire section (mm ²)
20	19	2.5
25	22	4
30	25	6
32	27	6

Accessories



Description	Catalog Number	Reference Number	Max. rms current (A)	No of Mod. (17.5mm)	No of Poles	Pack.
Kit for Multi-Phase connection links	US810PAK	Z233725	-	-	-	12
Lock	LOCK	M223525	-	-	-	1
Tag and lockout	TAGLOCKCMS810	A235773	-	-	-	1
Wiring bars 1 phase size 8/10 *	CMS810BB1F13	T210306	63	13	1	10
Wiring bars 2 phases size 8/10 *	CMS810BB2F6	V210307	63	6	2	10
Wiring bars 3 phases size 8/10 *	CMS810BB3F4	W210308	100	4	3	10
Wiring bars 4 phases size 8/10 *	CMS810BB4F3	X210309	100	3	4	10
1 phase lateral incoming power supply	TBB1C	E210316	90	-	-	50
2 & 3 phases lateral incoming power supply	TBB23C	G210318	90	-	-	50
1 phase axial incoming power supply	TBB1A	D210315	90	-	-	50
2 & 3 phases axial incoming power supply	TBB23A	F210317	90	-	-	50

*It is possible to use a rigid cable 16mm² with a wiring bar 1.5mm thick