

Datalogic ADC, Inc.
959 Terry Street
Eugene, Oregon 97402
USA
Telephone: (541) 683-5700
Fax: (541) 345-7140

©2007-2014 Datalogic, Inc.
An Unpublished Work - All rights reserved. No part of the contents of this documentation or the procedures described therein may be reproduced or transmitted in any form or by any means without prior written permission of Datalogic ADC, Inc. or its subsidiaries or affiliates ("Datalogic" or "Datalogic ADC"). Owners of Datalogic products are hereby granted a non-exclusive, revocable license to reproduce and transmit this documentation for the purchaser's own internal business purposes. Purchaser shall not remove or alter any proprietary notices, including copyright notices, contained in this documentation and shall ensure that all notices appear on any reproductions of the documentation. Should future revisions of this manual be published, you can acquire printed versions by contacting your Datalogic representative. Electronic versions may either be downloadable from the Datalogic website (www.datalogic.com) or provided on appropriate media. If you visit our website and would like to make comments or suggestions about this or other Datalogic publications, please let us know via the "Contact Datalogic" page.

DISCLAIMER

Datalogic has taken reasonable measures to provide information in this manual that is complete and accurate, however, Datalogic reserves the right to change any specification at any time without prior notice. Datalogic and the Datalogic logo are registered trademarks of Datalogic S.p.A. in many countries, including the U.S.A. and the E.U. All other brand and product names may be trademarks of their respective owners.

PATENTS

This product may be covered by one or more of the following patents.

Design Pat. AU 310201; AU 310202; CN 693980; CN735959; HK 0602013.5M001; HK 0602013.5M002; JP 1305693; KR 30-0460940; US D570,843 S; USD588,596 S.

US Pat. 5,992,740; 6,305,606 B1; 6,517,003; 6,808,114 B1; 6,997,385 B2; 7,387,246 B2; 5,367,151; 5,449,893; 5,545,889; 6,098,877; 6,220,514 B1; 6,412,698 B2; 6,607,132 B1; 6,817,529 B2; 6,834,805 B2; 7,948,214 B2.

European Pat. 789,315 B1; 895,175 B1; 1,128,314 B1; 1,128,315 B1; 1,396,811 B1; 1,413,971 B1; 1,816,585 B1; 1,942,442 B1.

Additional patents pending.

SERVICE AND SUPPORT

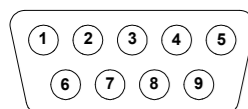
Datalogic provides several services as well as technical support through its website. Log on to www.datalogic.com and click on the links indicated for further information including:

- PRODUCTS**
Search through the links to arrive at your product page where you can download specific **Manuals** and **Software & Utilities** including:
 - Datalogic Aladdin™**, a multi-platform utility program that allows device configuration using a PC. It provides RS-232 interface configuration as well as configuration barcode printing.
- SERVICE & SUPPORT**
 - Technical Support** - Product documentation and programming guides and Technical Support Department in the world
 - Service Programs** - Warranty Extensions and Maintenance Agreements
 - Repair Services** - Flat Rate Repairs and Return Material Authorization (RMA) Repairs.
 - Downloads** - Manuals & Documentation, Data Sheets, Product Catalogues, etc.
- CONTACT US** [Information Request Form](#) and [Sales & Service Network](#)

ELECTRICAL CONNECTIONS

The PowerScan™ D8340/D8340 AR scanner can be used with CAB 468 (coiled cable and 9-pin male connector) for direct connection to the DATAPLUS and DLD series decoders.

CAB 468



- 1 - Not connected
- 2 - SCAN
- 3 - Not connected
- 4 - GND
- 5 - TRIGGER
- 6 - BEEPER/LED
- 7 - VIDEO
- 8 - LASER ON
- 9 - +VCC

9-pin male connector

DATALOGIC

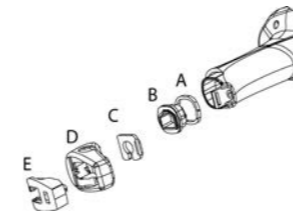
PowerScan™ D8340

READERS

QUICK REFERENCE GUIDE

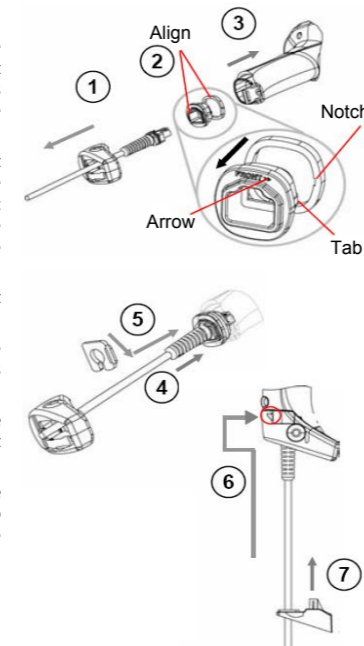


CONNECTIONS CONNECTING THE CABLE



- A. Rubber gasket
- B. Plastic boot
- C. Cable spacer
- D. Cover
- E. Strain relief

- Slip the cover over the cable.
- Push the plastic boot into the rubber gasket. Take care that the tab on the plastic boot is aligned with the notch in the rubber gasket.
- Push the plastic boot and gasket into the handle. Ensure that the "Front" marking on the plastic boot is facing out, with the arrow pointing towards the front of the scanner.
- Insert the cable into the socket of the plastic boot.
- Insert the cable spacer into the cable wire and slide it towards the handle.
- Push the cover along the cable towards the reader, and hook it over the yellow "tooth".
- Insert the strain relief into the cover and tighten the screw to fix the whole assembly to the reader handle.



TECHNICAL FEATURES POWERSCAN™ D8340/ D8340 AR

Electrical Features	PowerScan™ D8330	PowerScan™ D8330 AR
Power Supply	4 to 30 VDC	
Max. Consumption:	0.076 mm (3 mils)	0.25 mm (10 mils)
@ 4V	420 mA	500 mA
@ 5V	310 mA	370 mA
@ 30V	62 mA	70 mA
Sleep mode	4 mA	4 mA
Scan Rate	35 ± 5 scans/sec	
Reading Indicators	Good Read LED (green) Good Read Spot (green), Beeper	
Optical Features		
Reading Field (Typical performance at 20°C / 68°F on high quality barcodes)	97.8 cm (38.5 in) @ 40 mils	12.5 m (41.0 ft) @ 100 mils reflective
Max. Resolution	0.076 mm (3 mils)	0.178 (7,5 mils)
PCS (Datalogic Test Chart)	15%	25%
Laser Features		
Power (max)	0.9 mW	1.3 mW
Scan Angle	42°	13.5° ± 0.7
Laser Safety Class	Class 2 EN 60825-1/CDRH	
Environmental Features		
Working Temperature	-30 °C to +50 °C / -22° to +122 °F	
Stora perature	-30 °C to +70 °C / -22° to +158 °F	
Humidity	90% non condensing	
Drop Resistance	IEC 68-2-32 Test ED 2 m	
Protection Class	IP65	
Mechanical Features		
Weight (without cable)	about 295 g (10.4 oz)	
Cable Length	2 m (6 ft 6 in)	

CHINA ROHS STATEMENT

China RoHS	Polybrominated diphenyl ethers (PBDE)	Polybrominated biphenyls (PBB)	Hexavalent Chromium (Cr(VI))	Cadmium (Cd)	Mercury (Hg)	Lead (Pb)
多溴二苯醚	多溴联苯	六价铬	镉	汞	铅	X
○	○	○	○	○	○	X

PART 部件名称
Printed Circuit Board Assembly 电路板组件
Assy, Module 光学组件

O: 代表此种部件的所有均质材料中所含的该种有毒有害物质的含量均低于中华人民共和国信息产业部所颁布的《电子信息产品中有害物质的限量要求》(SJ/T 11363-2006) 规定的限量。
X: 代表此种部件中所含的该种有毒有害物质的含量高于中华人民共和国信息产业部所颁布的《电子信息产品中有害物质的限量要求》(SJ/T 11363-2006) 规定的限量。

COMPLIANCE

LASER SAFETY COMPLIANCE

The laser scanner conforms to the applicable requirements of both CDRH 21 CFR 1040 and EN60825-1 at the date of manufacture.

The laser light is visible to the human eye and is emitted from the output window (1).

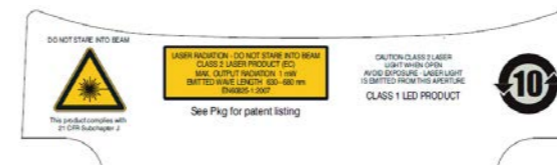
Laser warning and classification label (2).

CAUTION:

Use of controls or adjustments or performance of procedures other than those specified herein may result in exposure to hazardous visible laser light.

The laser scanner utilizes a low-power laser diode. Although staring directly at the laser beam momentarily causes no known biological damage, avoid staring at the beam as one would with any very strong light source, such as the sun. Avoid that the laser beam hits the eye of an observer, even through reflective surfaces such as mirrors, etc.

The following information is shown on the laser scanner device class label:



ITALIANO
LUCE LASER
NON FISSARE IL RAGGIO
APPARECCHIO LASER DI CLASSE 2

FRANÇAIS
RAYON LASER
ÉVITER DE REGARDER LE RAYON
APPAREIL LASER DE CLASSE 2

DEUTSCH
LASERSTRAHLUNG
NICHT IN DEN STRAHL BLICKEN
PRODUKT DER LASERKLASSE 2

ESPAÑOL
RAYO LÁSER
NO MIRAR FLUJO EL RAYO
APARATO LÁSER DE CLASE 2

LED CLASS

Class 1 LED product.

This product conforms to EN60825-1:2007.

CE COMPLIANCE

Warning: This is a Class A product. In a domestic environment this product may cause radio interference in which case the user may be required to take adequate measures.

FCC COMPLIANCE

Modifications or changes to this equipment without the expressed written approval of Datalogic could void the authority to use the equipment.

This device complies with PART 15 of the FCC Rules. Operation is subject to the following two conditions: (1) This device may not cause harmful interference, and (2) this device must accept any interference received, including interference which may cause undesired operation.

This equipment has been tested and found to comply with the limits for a Class A digital device, pursuant to part 15 of the FCC Rules. These limits are designed to provide reasonable protection against harmful interference when the equipment is operated in a commercial environment. This equipment generates, uses, and can radiate radio frequency energy and, if not installed and used in accordance with the instruction manual, may cause harmful interference to radio communications. Operation of this equipment in a residential area is likely to cause harmful interference in which case the user will be required to correct the interference at his own expense.

POWER SUPPLY

This device is intended to be connected to a UL Listed/CSA Certified computer which supplies power directly to the reader or else be supplied by a UL Listed/CSA Certified Power Unit marked "Class 2" or LPS power source rated 4 - 30 V, minimum 420 mA, which supplies power directly to the reader via the power connector of the cable.

WEEE COMPLIANCE



For information about the disposal of Waste Electrical and Electronic Equipment (WEEE), please refer to the website at www.datalogic.com.

USING POWERSCAN™ D8340 SERIES READERS

PowerScan™ D8340 readers automatically scan barcodes **at a distance**. Simply aim and pull the trigger. Code scanning is performed along the scan line emitted from the reading window. This line must cross the entire code. The best reading angles are indicated in the figure below.:

