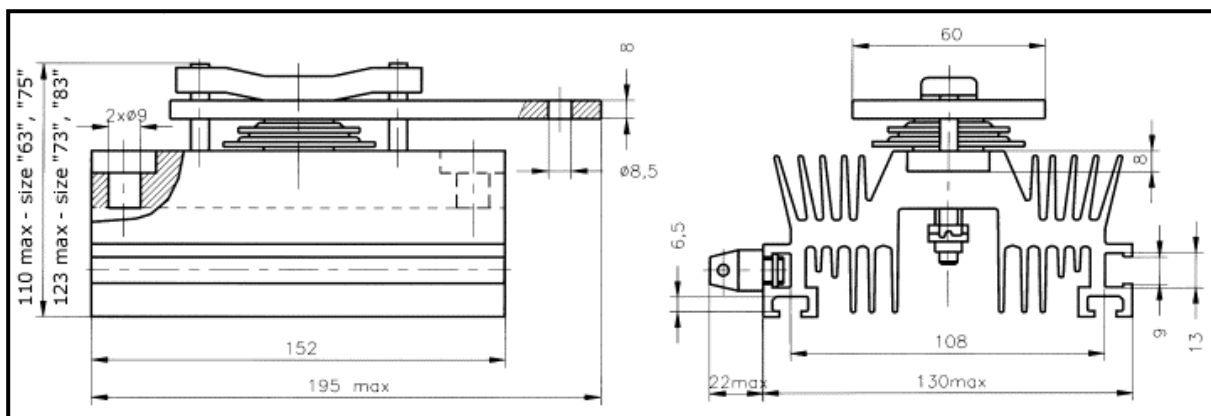




Assemblies type “N” – type with RU152 are design

Package details



For further package information, please contact Sales & Marketing Department.
Do not scale.