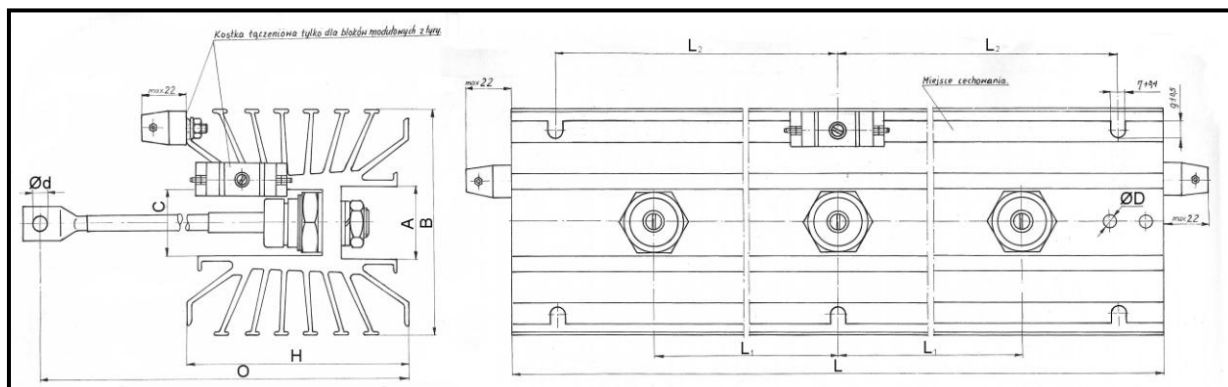




Assemblies type RT690 are design

**Package details**



A	B <sub>max</sub>	C	$\varnothing d$	$\varnothing D$	H	$L^{\pm 1}$	$L_1^{\pm 1}$	$L_2^{\pm 1}$	O
mm									
54	158,5	48,5	8,6	9	158,5	690	230	325	315

For further package information, please contact Sales & Marketing Department.  
Do not scale.