

ASG/APG Series D86mm Bulb Revolving Warning Signal Light

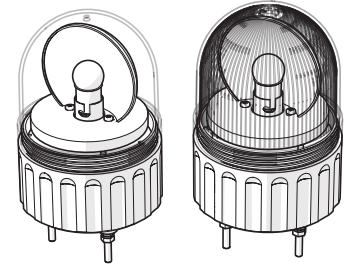


Compact Revolving Warning Light perfectly designed for small devices.



▼ Smooth lens ▼ Prism lens

- Incandescent or Xenon type
- Red, Yellow, Green and Blue lens available
- Smooth lens or Prism lens
- Stud mounted or Pole mounted
- Optional Wall Mounting Brackets available
- Wide range of power supply



Ordering Information

ASG B - 2 0 - R

① ② ③ ④

1. Lens Style

ASG	Ø86mm Dome top lens Signal Light (Stud mount)
APG	Ø86mm Flat top lens Signal Light (Stud mount)

2. Light Style

	Rotating Light (Smooth Lens)
F	Flashing Light (Prism Lens)
B	Rotating Light + Buzzer
S	Strobe Light + Xenon Lamp (110V AC or 220V AC only)

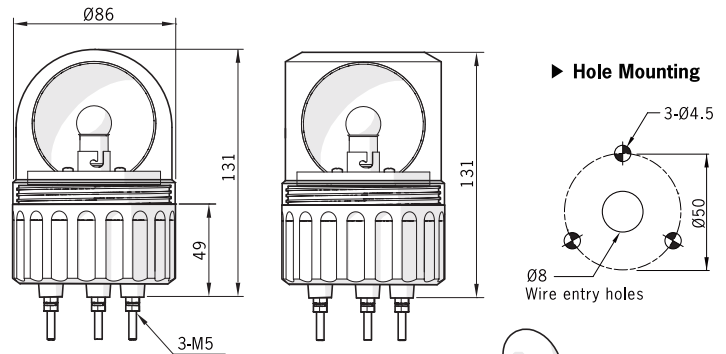
4. Power Supply

01	12V AC/DC
02	24V AC/DC
10	110V AC
20	220V AC
FF	110/220V AC * Except for Flashing type - F function

5. Lens Colors

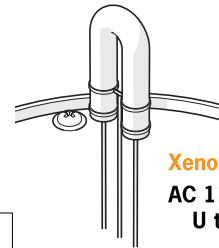
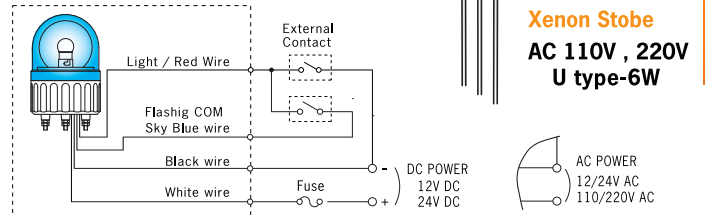
R	Red
Y	Yellow
G	Green
B	Blue

Dimensions (unit: mm)



Wiring Diagram

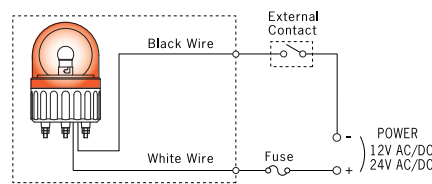
▶ Flashing Lights



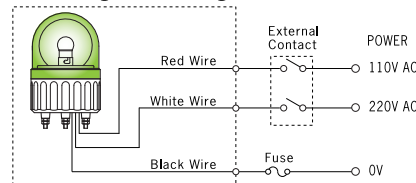
Xenon Strobe
AC 110V , 220V
U type-6W

AC POWER
12/24V AC
110/220V AC

▶ Rotating & Strobe Lights



▶ Rotating & Strobe Lights



Wall Mount Brackets



Specifications

Bulb Lights

Operation/Function	Rotating , Flashing , Buzzer
Power Supply	AC/DC 12V , AC/DC 24V 110V AC , 220V AC , 110/220V AC (50/60Hz)
Lens Diameter	86 mm
Lens Color	Red, Yellow, Green, Blue (Lens Type :Smooth)
Rotation Rate	130 times/ min
Flash Rate	80 times/ minute
Buzzer Sound Level	80dB
Ambient Temperature	-15°C~40°C
Storage Temperature	-40°C ~ 70°C
Ambient Humidity	45~85% RH
Degree of Protection	IP42
Approvals	CE , RoHS
Recommended Wire Size	VSF / 0.75mm ² (Power supply wire only)

Current Draw

Power Supply	12V DC	24V DC	110V AC	220V AC	110/220V AC
Current Draw	0.67A, 8W	0.33A, 8W	0.07A, 8W	0.03A, 8W	0.4A, 5W

Xenon Strobe Lights

Power Supply	AC 110V , AC 220V (50/60Hz)
Current	AC 110V : 0.22A , AC 220V : 0.11A
Lens Color	Red, Yellow, Green, Blue (Lens Type : Prism)
Strobe Pulse	80 times/ minute ±3%
Degree of Protection	IP42
Approvals	CE , RoHS
Recommended Wire Size	VSF / 0.75mm ² (Power supply wire only)
Lamp Wattage	6W

Replacement Parts

Rated Voltage	Bulb	Rated Voltage	Bulb
12V DC	12V 8W	110V AC	130V 8W
24V DC	24V 8W	220V AC	240V 8W
		110/220V AC	12V 5W

▶ See page 33 for Replacement Bulbs product

See Page 34 ~ 36
for Mounting Options and Accessories.

