

	RPD-60B	
OUTPUT NUMBER	CH1	CH2
	12V	24V
	2A	1.5A
	0.1 ~ 2.2A	0.1 ~ 1.65A
PEAK LOAD(10sec.) Note.4	53.5W	58.85W
RIPPLE & NOISE (max.) Note.2	80mVp-p	100mVp-p
VOLTAGE TOLERANCE Note.3	±6.0%	+3,-2%
LINE REGULATION	±1.0%	±0.5%
LOAD REGULATION	±2.0%	±1.5%

82%

Earth leakage current < 150 A/264VAC , Touch current < 100 A/264VAC

Protection type : Hiccup mode, recovers automatically after fault condition is removed

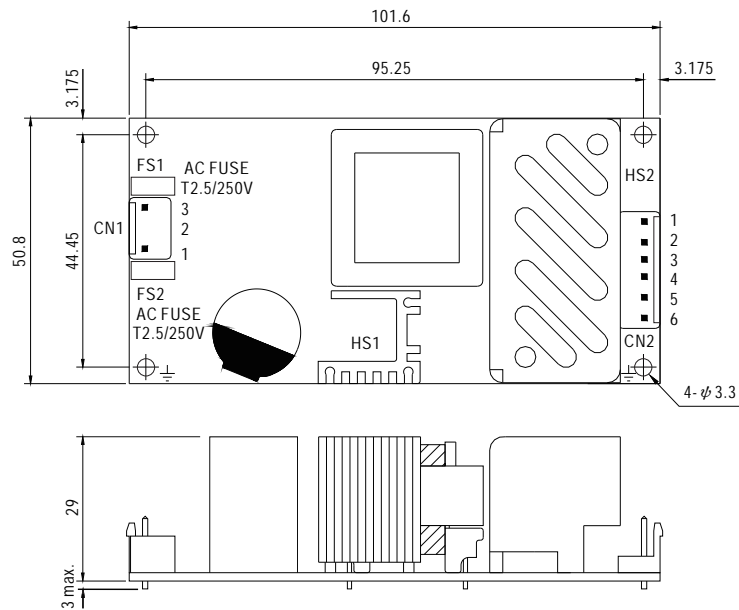
Protection type : Shut down o/p voltage, re-power on to recover

**ISOLATION LEVEL** UL60950-1, TUV EN60950-1, ANSI/AAMI ES60601-1, TUV EN60601-1, IEC60601-1 approved  
 Primary-Secondary: 2xMOPP, Primary-Earth:1xMOPP, Secondary-Earth:1xMOPP  
 I/P-O/P:4KVAC I/P-FG:2KVAC O/P-FG:1.5KVAC  
 I/P-O/P, I/P-FG, O/P-FG:100M Ohms / 500VDC / 25°C / 70% RH  
 Compliance to EN55011(CISPR11),EN55022 (CISPR22) Class B, EN61000-3-2,-3  
 Compliance to EN61000-4-2,3,4,5,6,8,11, EN55024, EN60601-1-2, EN61204-3, medical level, criteria A



**Mechanical Specification**

Unit:mm



AC Input Connector (CN1) : JST B3P-VH or equivalent

Pin No.	Assignment	Mating Housing	Terminal
1	AC/N	JST VHR or equivalent	JST SVH-21T-P1.1 or equivalent
2	No Pin		
3	AC/L		

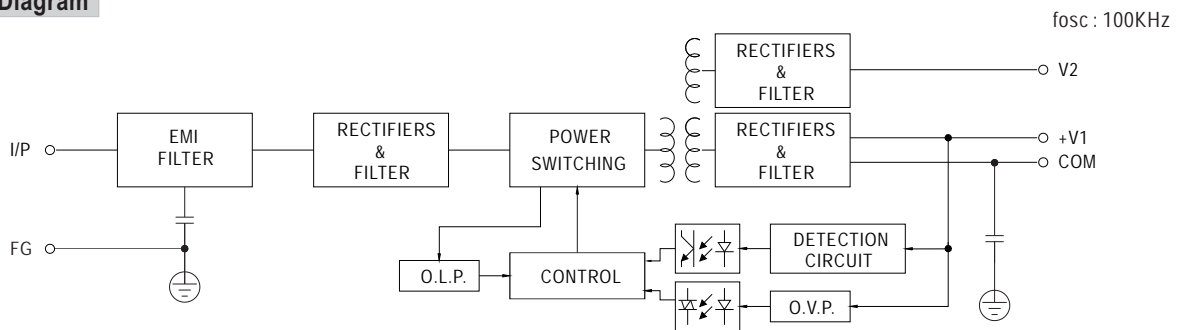
DC Output Connector (CN2) : JST B6P-VH or equivalent

Pin No.	Assignment	Mating Housing	Terminal
1,2	V1	JST VHR or equivalent	JST SVH-21T-P1.1 or equivalent
3,4	COM		
5	V2		
6	NC		

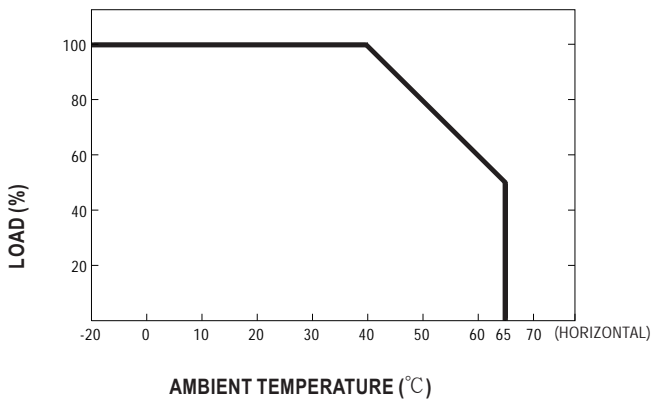
! \$= \$=

⊥ : Grounding required

**Block Diagram**



**Derating Curve**



**Output Derating VS Input Voltage**

