

MULTIBLOC® 3.ST8

Size 3, 630A, 690VAC, Design for Bottom Fitting, 3-,4-pole

NH Fuse Switch Disconnecter

The production programme of MULTIBLOC® series 3.ST8 comprises NH fuse switch disconnectors for 630A.

They are designed for bottom fitting/panel installation and are available in triple pole and quadruple pole units.

For installation of MULTIBLOC® NH fuse switch disconnectors in distribution units with central cover, respective covers are used to obtain a uniform profile in height and length.

MULTIBLOC® size 3 are designed for NH fuse-links in accordance with IEC/EN 60269-2, VDE 0636-2, size 3, 630A.

MULTIBLOC® offers the user the possibility of fast and easy installation as well as a high degree of security during installation and maintenance.

Features Benefits

- Touch protection IP 20 - when fuse link is in test mode IP rating is maintained
- Padlocking of switch door cover - optional
- Parking position of switch operating cover even with fuse-links inserted
- Indicating switch for switch door position - optional
- Electronic or electro-mechanic fuse monitoring - optional
- Modular system of cover - cover for cable termination area can be extended as required
- Varieties of cable termination: screw, bolt, clamp strap
- Installation on to 60 mm and 100 mm bus bar system with adapter

Applications

- Panel boards for industrial use
- Feeder pillars for industrial use
- Meter distribution units
- Measuring transformer cabinets
- Transmitting stations for telecommunications

Technical data overview

| | |
|-------------------|--|
| Volt (VAC) | 690 VAC |
| Amper (A) | 630 A |
| Size per Standard | 3 |
| Mounting | bottom fitting/panel |
| SCCR | Ue = AC 400 V; Ie = 630 A 80kA Ue = AC 500 V; Ie = 630 A 80kA Ue = AC 690 V; Ie = 500 A 50kA |
| Switchability | 3-,4-pole switching |



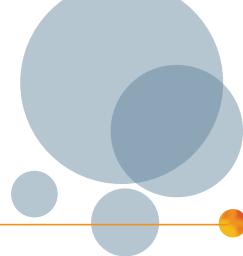
Standards

IEC/EN 60 947-3
For NH-fuse links size 3 in accordance with IEC/EN 60 269-2, VDE 0636-2



MULTIBLOC® 3.ST8

Size 3, 630A, 690VAC, Design for Bottom Fitting, 3-,4-pole



Product range



1.001.125



1.002.713



1.001.150

MULTIBLOC® 3.ST8 size 3 630 A, 690 V AC bottom fitting, triple pole

| Catalog number | Reference number | Poles | Cable termination components | Design | Weight kg ¹⁾ | Package |
|----------------|------------------|-------|---|--|-------------------------|---------|
| 1.001.125 | C1002135 | 3 | 6 M12 terminal screws | - | 4.94 | 1 piece |
| 1.001.241 | L1023073 | 3 | 3 clamp straps 150–300 mm ² 3 M12 terminal screws | - | 5.13 | 1 piece |
| 1.002.713 | M1023074 | 3 | 6 M12 terminal screws | with electronic fuse monitoring ESÜ installed | 5.50 | 1 piece |
| 1.001.150 | K1023072 | 3 | 6 M12 terminal screws | with electro-mechanic fuse monitoring MZS installed (galvanic isolation) | 5.74 | 1 piece |



1.001.904



1.002.661

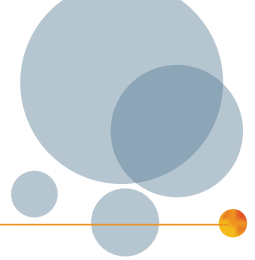
MULTIBLOC® 3.ST8 size 3 630 A, 690 V AC bottom fitting, quadruple pole

| Catalog number | Reference number | Poles | Cable termination components | Design | Weight kg ¹⁾ | Package |
|----------------|------------------|-------|------------------------------|---|-------------------------|---------|
| 1.001.904 | N1023075 | 4 | 8 M12 terminal screws | - | 7.44 | 1 piece |
| 1.002.661 | P1023076 | 4 | 8 M12 terminal screws | with ready fitted special solid link as neutral conductor in pole 4 for leading and lagging switching | 7.71 | 1 piece |

1) weight in kg per piece or set including package

MULTIBLOC® 3.ST8

Size 3, 630A, 690VAC, Design for Bottom Fitting, 3-,4-pole



Technical data in accordance with EN / IEC 60947

| | 3.ST8 triple pole | 3.ST8 quadruple pole |
|--|-------------------------------|-------------------------------|
| Installation mode | bottom fitting | bottom fitting |
| Size | 3 | 3 |
| Number of poles/phases | 3 | 4 |
| Conventional free air thermal current with NH-fuse links I_{th} | 630 A | 630 A |
| Max. power dissipation of fuse links P_n | 48 W | 48 W |
| Conventional free air thermal current with solid links I_{th} | 780 A | 780 A |
| Max. power dissipation of solid links P_n | 17,5 W | 17,5 W |
| Utilization category to IEC/EN 60947-3 $U_e = AC 400 V; I_e = 630 A$ $U_e = AC 500 V; I_e = 630 A$ $U_e = AC 690 V; I_e = 500 A$ | AC 23 B AC 22 B AC 21 B | AC 23 B AC 22 B AC 21 B |
| Rated operational voltage U_e | 690 V | 690 V |
| Rated insulation voltage U_i | 1000 V | 1000 V |
| Rated impulse withstand voltage U_{imp} | 12 kV | 12 kV |
| Rated frequency | 50 ... 60 Hz | 50 ... 60 Hz |
| Degree of protection | IP 20 | IP 20 |
| Degree of pollution | 3 | 3 |
| Rated duty | uninterrupted duty | uninterrupted duty |
| Rated short circuit making capacity with solid links I_{cm} | 18.6 kAsw | 18.6 kAsw |
| Rated short circuit making capacity with fuse links $U_e = AC 400 V; I_e = 630 A$ $U_e = AC 500 V; I_e = 630 A$ $U_e = AC 690 V; I_e = 500 A$ | 80 kA 80 kA 50 kA | 80 kA 80 kA 50 kA |
| Rated short circuit withstand current I_{cw} | 18 kA / 1 s | 18 kA / 1 s |
| Power dissipation by I_{th} without NH-fuse links | 40 W | 53 W |
| Power dissipation by I_{th} without solid links | 150 W | 200 W |

Cable terminal connection

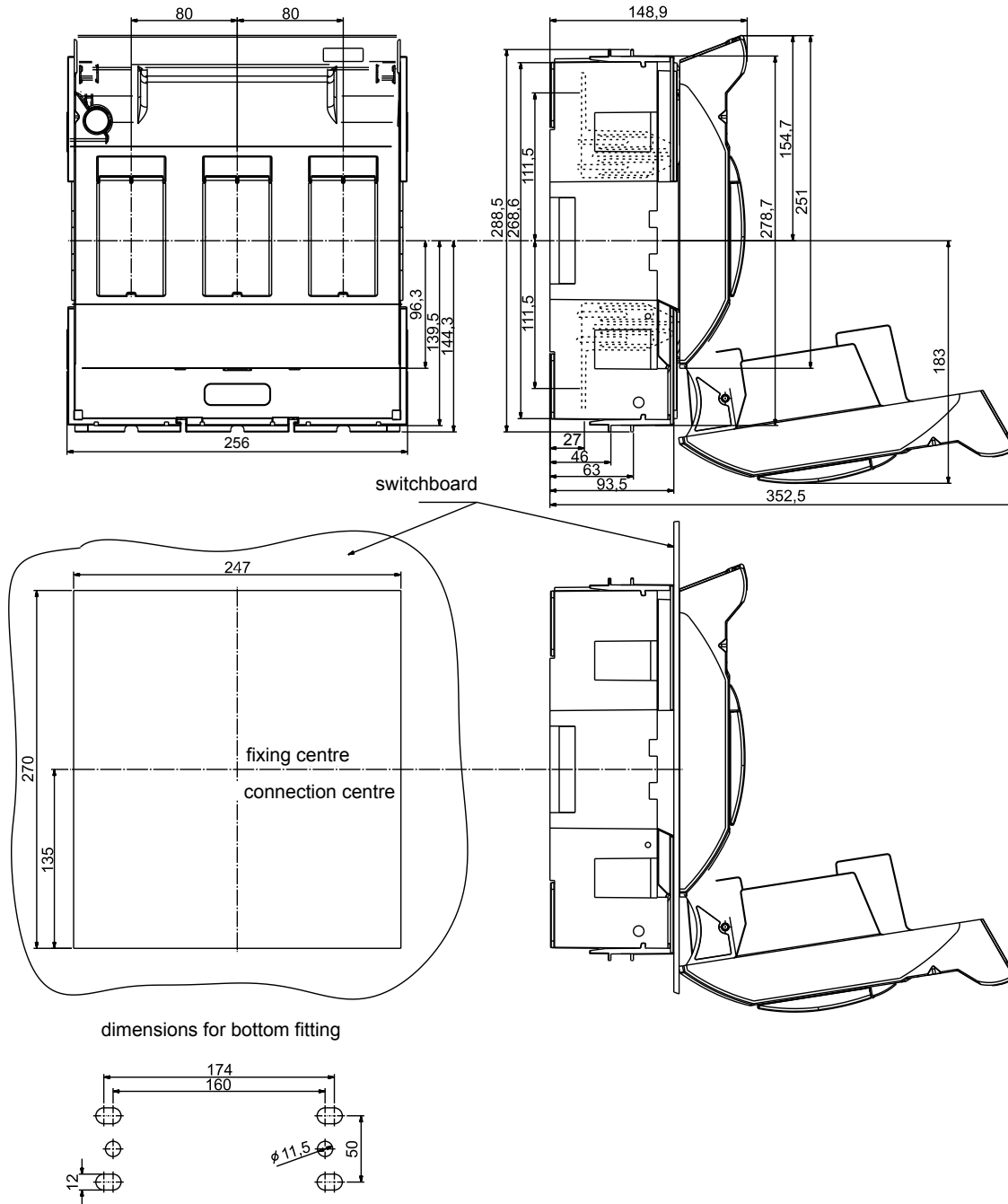
| | | |
|--------------------------------------|-------------------------|-------------------------|
| Standard cable terminal | M12 | M12 |
| for cable lugs Cu max. | 2 x 240 mm ² | 2 x 240 mm ² |
| for cable lugs Al max. | 2 x 300 mm ² | 2 x 300 mm ² |
| for copper bars with max. dimensions | 45 x 10 mm | 45 x 10 mm |

MULTIBLOC® 3.ST8

Size 3, 630A, 690VAC, Design for Bottom Fitting, 3-,4-pole

Dimensions

MULTIBLOC® 3.ST8 NH-fuse switch disconnecter triple pole design for bottom fitting (M01141)



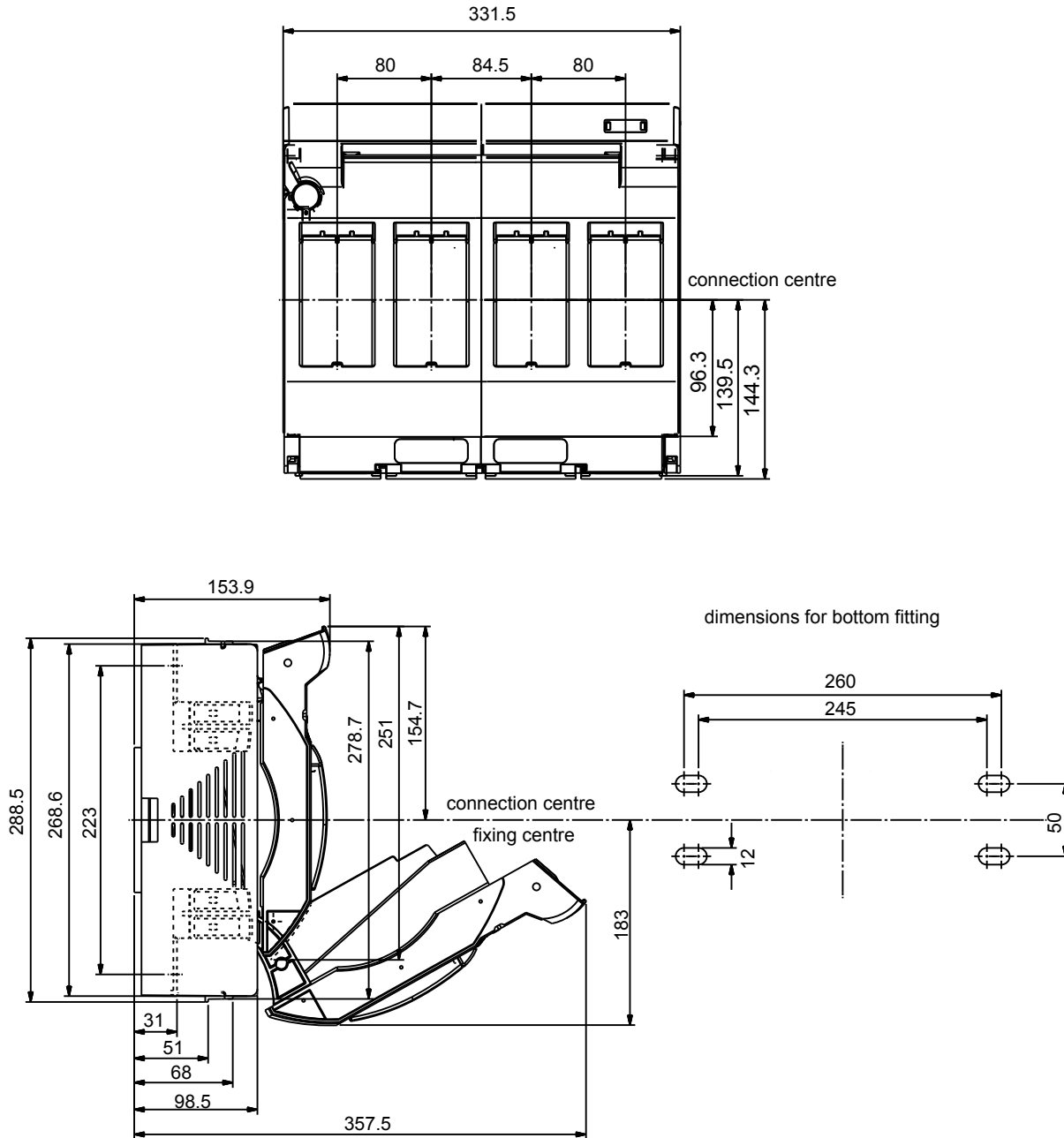
Dimensions in mm

MULTIBLOC® 3.ST8

Size 3, 630A, 690VAC, Design for Bottom Fitting, 3-,4-pole

Dimensions

MULTIBLOC® 3.ST8 NH-fuse switch disconnecter quadruple pole design for bottom fitting (M01157-3)



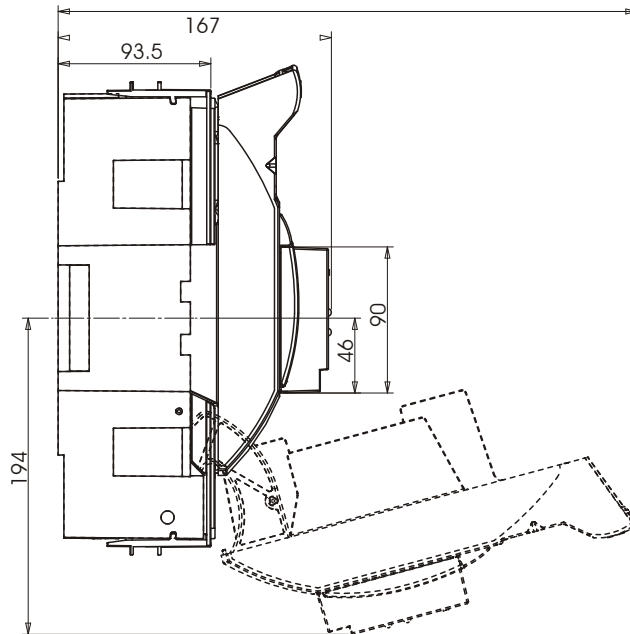
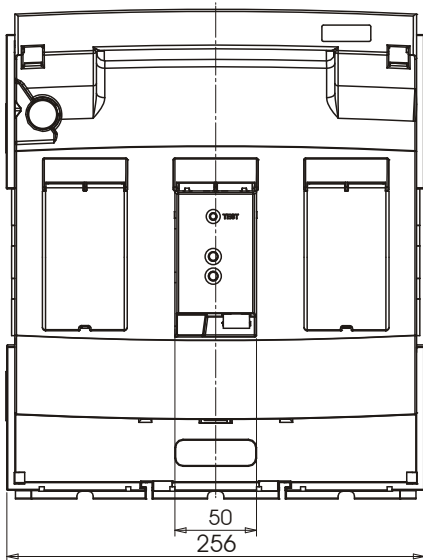
Dimensions in mm

MULTIBLOC® 3.ST8

Size 3, 630A, 690VAC, Design for Bottom Fitting, 3-,4-pole

Dimensions

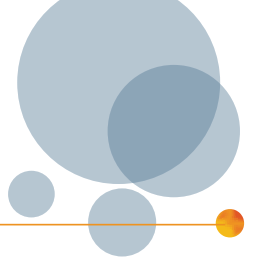
MULTIBLOC® 3.ST8 triple pole with electronic fuse monitoring ESÜ (M01174-3)



Dimensions in mm

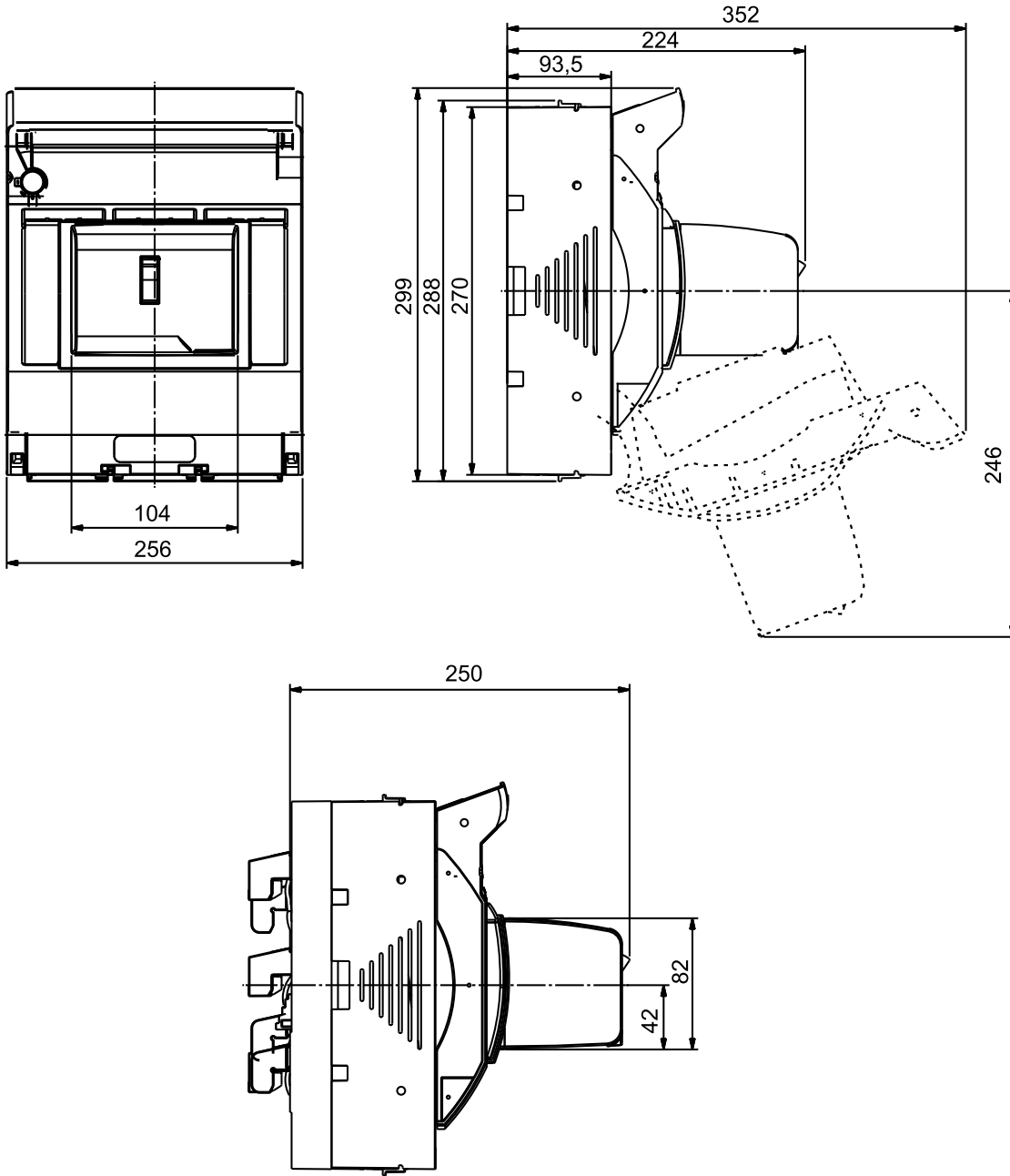
MULTIBLOC® 3.ST8

Size 3, 630A, 690VAC, Design for Bottom Fitting, 3-,4-pole



Dimensions

MULTIBLOC® 3.ST8 triple pole with electro-mechanic fuse monitoring MZS (M01135-3)



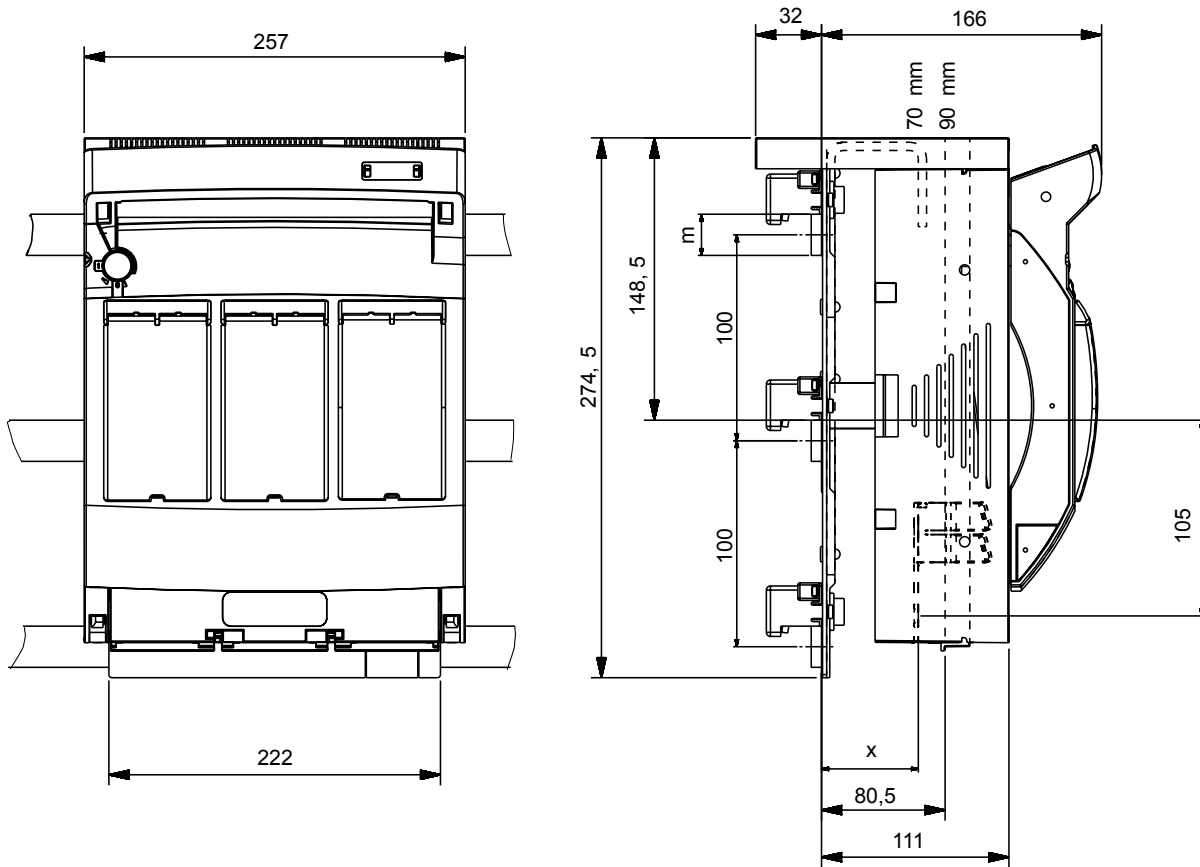
Dimensions in mm

MULTIBLOC® 3.ST8

Size 3, 630A, 690VAC, Design for Bottom Fitting, 3-,4-pole

Dimensions

MULTIBLOC® bus bar adapter with clamp terminal for 3.ST8 (M01151a-3)



m = max. 60 x 10

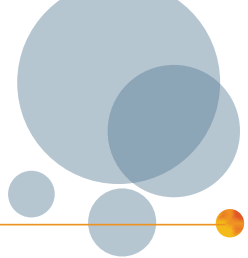
x = L1, L3 44.5
L2 39.5 (with accessory level adjustment art. no. 1.001.409 the same level as L1/L2 is reached)

tightening torque: M10: 25 Nm
M8: 15 Nm

Dimensions in mm

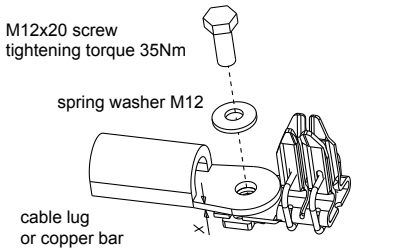
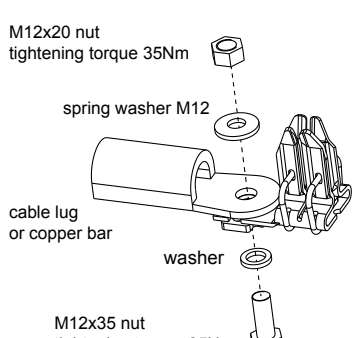
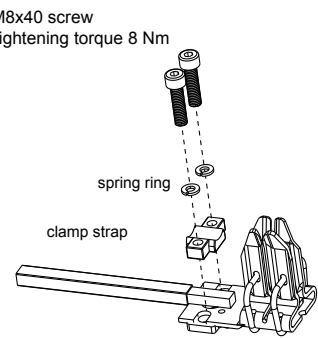
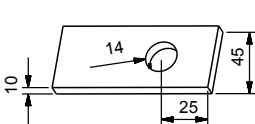
MULTIBLOC® 3.ST8

Size 3, 630A, 690VAC, Design for Bottom Fitting, 3-,4-pole



Dimensions

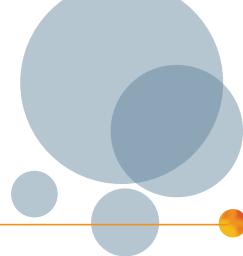
Cable termination size 3 (MA 108e)

| screw terminal: (standard) | bolt terminal: (standard) | terminal: clamp strap (option / accessory) |
|--|---|---|
|  <p>M12x20 screw tightening torque 35Nm</p> <p>spring washer M12</p> <p>cable lug or copper bar</p> <p>for values x larger than 10 mm use M 12x35 screw plus washer in addition</p> |  <p>M12x20 nut tightening torque 35Nm</p> <p>spring washer M12</p> <p>cable lug or copper bar</p> <p>washer</p> <p>M12x35 nut tightening torque 35Nm</p> |  <p>size 3: M8x40 screw tightening torque 8 Nm</p> <p>spring ring</p> <p>clamp strap</p> |
| <p>size: for cable lug in accordance with DIN 46234 max. 240 mm² DIN 46235 max. 240 mm² DIN 46329 max. 300 mm²</p>  | | <p>size 3: for round stranded conductors 150-300 mm² for bars or laminated copper 25 x 3 -14</p> |

Dimensions in mm

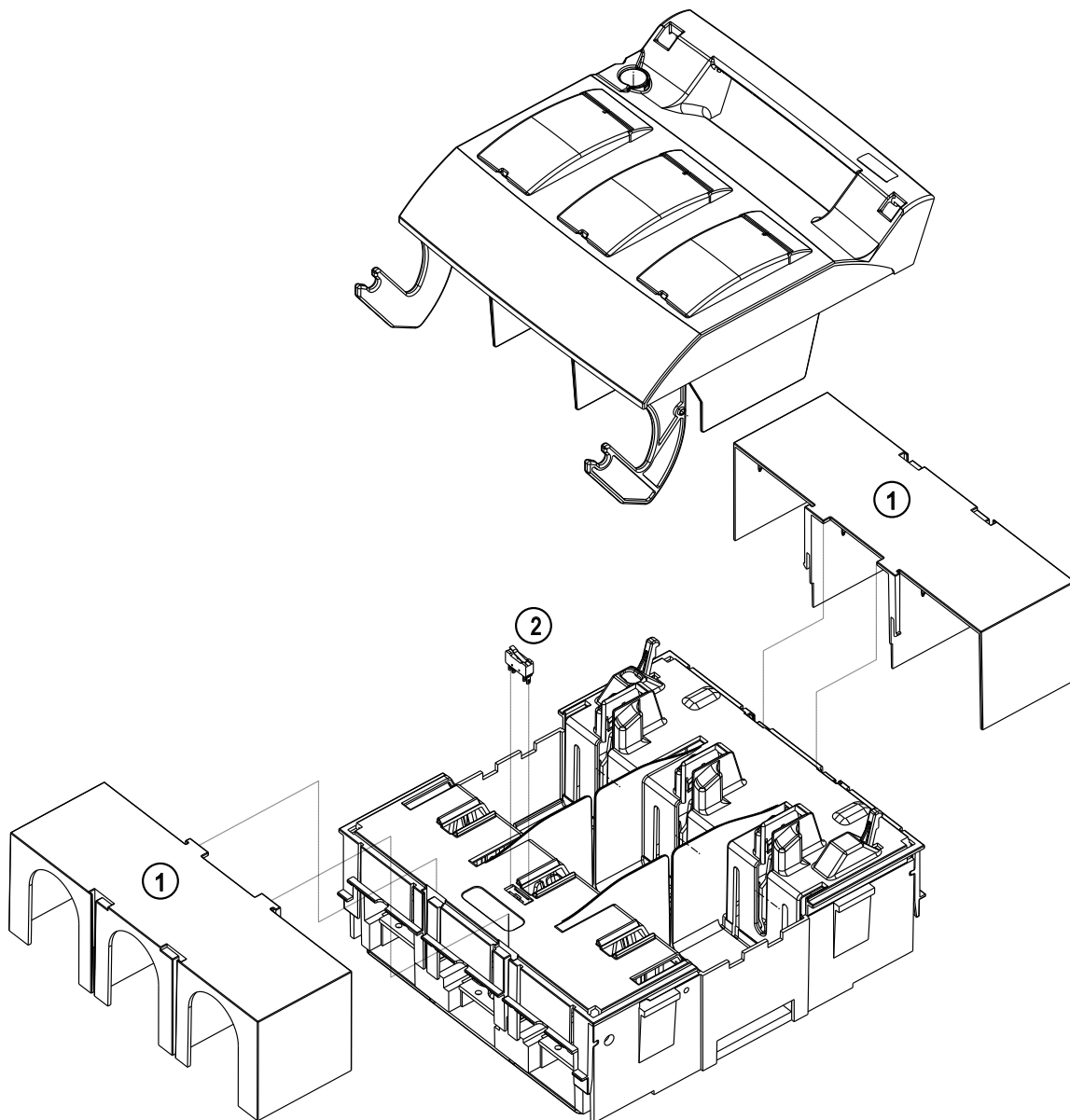
MULTIBLOC® 3.ST8

Size 3, 630A, 690VAC, Design for Bottom Fitting, 3-,4-pole



Exploded sketch

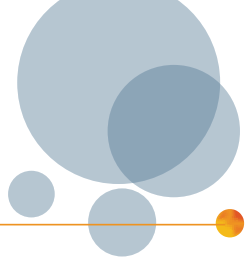
MULTIBLOC® 3.ST8 NH- fuse switch disconnecter triple pole design for bottom fitting (E 1.001.523)



| no. | articlenumber | short description |
|-----|---------------|--|
| 1 | 1.000.893 | cover for cable termination,1 set=2 pcs. |
| 2 | 1.000.852 | indicator for switch door position |

MULTIBLOC® 3.ST8

Size 3, 630A, 690VAC, Design for Bottom Fitting, 3-,4-pole



Accessories



1.002.353

Cover shields

| Catalog number | Reference number | Design | Weight kg ¹⁾ | Package |
|----------------|------------------|---|-------------------------|---------|
| 1.002.353 | W1002175 | cover shield for installation in distribution units size (width x height): 287 x 330 mm for one 3.ST8 triple pole | 1.13 | 1 piece |



1.000.893

Cover/shrouds for cable termination

| Catalog number | Reference number | Design | Weight kg ¹⁾ | Package |
|----------------|------------------|---|-------------------------|---------|
| 1.000.893 | P1002169 | cover for cable terminal connection for 3.ST8 triple pole, 1 set = 2 pieces | 0.51 | 1 set |
| 1.003.319 | L1022981 | cover for cable terminal connection for 3.ST8 quadruple pole | 0.16 | 1 piece |



1.003.319



1.002.490

Adapter für installation on to bus bars with clamp terminal

| Catalog number | Reference number | Design | Weight kg ¹⁾ | Package |
|----------------|------------------|---|-------------------------|---------|
| 1.002.490 | D1023112 | bus bar adapter size 3 with clamp terminal for MULTIBLOC® 3.ST8 triple pole for bus bar system 60 mm | 1.17 | 1 piece |
| 1.002.503 | E1023113 | bus bar adapter size 3 with clamp terminal for MULTIBLOC® 3.ST8 triple pole for bus bar system 100 mm | 1.28 | 1 piece |



1.002.503



1.000.852

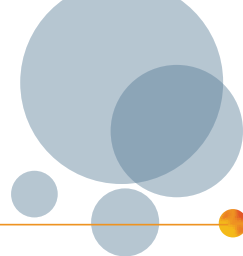
Indication facilities

| Catalog number | Reference number | Design | Weight kg ¹⁾ | Package |
|----------------|------------------|---|-------------------------|---------|
| 1.000.852 | Q1002285 | indicator for switch door position micro switch, 1 change-over contact 5 A, 250 V | 0.00 | 1 piece |

1) weight in kg per piece or set including package

MULTIBLOC® 3.ST8

Size 3, 630A, 690VAC, Design for Bottom Fitting, 3-,4-pole



Accessories



1.001.238



13SZAD6

Varieties of cable termination

| Catalog number | Reference number | Design | Weight kg ¹⁾ | Package |
|----------------|------------------|---|-------------------------|---------|
| 1.001.238 | C1002181 | clamp strap size 3 150–300 mm ² , 1 set = 3 pieces | 0.32 | 1 set |
| 13SZAD6 | A1022971 | M12 terminal lugs for M12 double terminal for MULTIBLOC® size 2 and 3 1 set = 3 pieces | 0.26 | 1 set |

1) weight in kg per piece or set including package