

NH fuse-links gG 690VAC

size 000, 00, 0, 1, 2, 3

IEC LV NH fuse links with blade contacts

The NH system is classified among plug-in fuse systems and is composed of:

- fuse-base, (possibly including terminal covers and phase barriers)
- fuse-link with blade contact
- fuse-link replacement device (LV HRC fuse puller)

Since the design of this system cannot guarantee non-interchangeability of rated current,

it must be handled by a qualified professional.

Features Benefits

- Dimensions according to DIN 43 620 Parts 1 to 4 standard
- Non-isolated gripping lugs
- Double indicator
- Lead free contact blades
- 0% cadmium

Applications

- gG: general purpose cable and line protection

Technical data overview

Volt (VAC)	690 VAC
Ampere Range (A)	2 ... 500 A
Size per Standard	Sizes 000, 00, 0, 1, 2, 3
Speed/Characteristic	gG
Body Material	ceramic
Materials Contact	copper, silver-plated



Standards

DIN 57636 Part 201

VDE 0636 Part 201

IEC 60269-1 and -2



NH fuse-links gG 690VAC

size 000, 00, 0, 1, 2, 3

Product range



NH000G-69V2

Size 000

Catalog number	Reference number	Rated voltage AC (IEC)	Rated current I _n	Power dissipation at I _n	Weight	Package
NH000GG69V2	E228440	690 V	2 A	1.9 W	130 g	3
NH000GG69V4	F228441	690 V	4 A	1.5 W	130 g	3
NH000GG69V6	G228442	690 V	6 A	1.6 W	130 g	3
NH000GG69V10	J228444	690 V	10 A	1.1 W	130 g	3
NH000GG69V16	K228445	690 V	16 A	1.8 W	130 g	3
NH000GG69V20	L228446	690 V	20 A	2.3 W	130 g	3
NH000GG69V25	M228447	690 V	25 A	2.4 W	130 g	3
NH000GG69V32	N228448	690 V	32 A	3.1 W	130 g	3
NH000GG69V35	P228449	690 V	35 A	3 W	130 g	3
NH000GG69V40	Q228450	690 V	40 A	3.7 W	130 g	3
NH000GG69V50	R228451	690 V	50 A	4.1 W	130 g	3
NH000GG69V63	S228452	690 V	63 A	5.4 W	130 g	3
NH000GG69V80	T228453	690 V	80 A	6.5 W	130 g	3



NH00G-69V32

Size 00

Catalog number	Reference number	Rated voltage AC (IEC)	Rated current I _n	Power dissipation at I _n	Weight	Package
NH00GG69V32	V228454	690 V	32 A	3.1 W	200 g	3
NH00GG69V35	W228455	690 V	35 A	3 W	200 g	3
NH00GG69V40	X228456	690 V	40 A	3.7 W	200 g	3
NH00GG69V50	Y228457	690 V	50 A	4.1 W	200 g	3
NH00GG69V63	Z228458	690 V	63 A	5.6 W	200 g	3
NH00GG69V80	A228459	690 V	80 A	6.8 W	200 g	3
NH00GG69V100	B228460	690 V	100 A	7.5 W	200 g	3
NH00GG69V125	C228461	690 V	125 A	10 W	200 g	3



NH0G-69V6

Size 0

Catalog number	Reference number	Rated voltage AC (IEC)	Rated current I _n	Power dissipation at I _n	Weight	Package
NH0GG69V6	D228462	690 V	6 A	1.6 W	270 g	3
NH0GG69V10	E228463	690 V	10 A	1.1 W	270 g	3
NH0GG69V16	F228464	690 V	16 A	1.8 W	270 g	3
NH0GG69V20	G228465	690 V	20 A	2.3 W	270 g	3
NH0GG69V25	H228466	690 V	25 A	2.4 W	270 g	3
NH0GG69V32	J228467	690 V	32 A	3.1 W	270 g	3
NH0GG69V35	K228468	690 V	35 A	3 W	270 g	3
NH0GG69V40	L228469	690 V	40 A	3.7 W	270 g	3
NH0GG69V50	M228470	690 V	50 A	4.1 W	270 g	3
NH0GG69V63	N228471	690 V	63 A	6.6 W	270 g	3
NH0GG69V80	P228472	690 V	80 A	8 W	270 g	3
NH0GG69V100	Q228473	690 V	100 A	9.4 W	270 g	3
NH0GG69V125	R228474	690 V	125 A	11.8 W	270 g	3
NH0GG69V160	S228475	690 V	160 A	14.6 W	270 g	3

NH fuse-links gG 690VAC

size 000, 00, 0, 1, 2, 3

Product range



NH1G-69V16

Size 1

Catalog number	Reference number	Rated voltage AC (IEC)	Rated current I_n	Power dissipation at I_n	Width	Weight	Package
NH1GG69V16	T228476	690 V	16 A	1.8 W	29.5 mm	260 g	3
NH1GG69V20	V228477	690 V	20 A	2.3 W	29.5 mm	260 g	3
NH1GG69V25	W228478	690 V	25 A	2.4 W	29.5 mm	260 g	3
NH1GG69V32	X228479	690 V	32 A	3.1 W	29.5 mm	260 g	3
NH1GG69V35	Y228480	690 V	35 A	3 W	29.5 mm	260 g	3
NH1GG69V40	Z228481	690 V	40 A	3.7 W	29.5 mm	260 g	3
NH1GG69V50	A228482	690 V	50 A	4.1 W	29.5 mm	260 g	3
NH1GG69V63	B228483	690 V	63 A	6.6 W	29.5 mm	260 g	3
NH1GG69V80	C228484	690 V	80 A	8 W	29.5 mm	260 g	3
NH1GG69V100	D228485	690 V	100 A	9.4 W	29.5 mm	260 g	3
NH1GG69V125	E228486	690 V	125 A	11.8 W	39.5 mm	420 g	3
NH1GG69V160	F228487	690 V	160 A	14.6 W	39.5 mm	420 g	3
NH1GG69V200	G228488	690 V	200 A	18 W	39.5 mm	420 g	3
NH1GG69V224	V233261	690 V	224 A	19 W	39.5 mm	420 g	3
NH1GG69V250	W233262	690 V	250 A	20 W	39.5 mm	420 g	3



NH2G-69V32

Size 2

Catalog number	Reference number	Rated voltage AC (IEC)	Rated current I_n	Power dissipation at I_n	Width	Weight	Package
NH2GG69V32	H228489	690 V	32 A	3.1 W	39.5 mm	420 g	3
NH2GG69V35	J228490	690 V	35 A	3 W	39.5 mm	420 g	3
NH2GG69V40	K228491	690 V	40 A	3.7 W	39.5 mm	420 g	3
NH2GG69V50	L228492	690 V	50 A	4.1 W	39.5 mm	420 g	3
NH2GG69V63	M228493	690 V	63 A	6.8 W	39.5 mm	420 g	3
NH2GG69V80	N228494	690 V	80 A	8.3 W	39.5 mm	420 g	3
NH2GG69V100	P228495	690 V	100 A	10.7 W	39.5 mm	420 g	3
NH2GG69V125	Q228496	690 V	125 A	12.2 W	39.5 mm	420 g	3
NH2GG69V160	R228497	690 V	160 A	15 W	39.5 mm	420 g	3
NH2GG69V200	S228498	690 V	200 A	18.5 W	39.5 mm	420 g	3
NH2GG69V224	T228499	690 V	224 A	19.2 W	39.5 mm	420 g	3
NH2GG69V250	V228500	690 V	250 A	20.6 W	39.5 mm	420 g	3
NH2GG69V300	W228501	690 V	300 A	21 W	51 mm	640 g	3
NH2GG69V315	X228502	690 V	315 A	25 W	51 mm	650 g	3
NH2GG69V355	Y228503	690 V	355 A	31.5 W	51 mm	650 g	3



NH3G-69V250

Size 3

Catalog number	Reference number	Rated voltage AC (IEC)	Rated current I_n	Power dissipation at I_n	Width	Weight	Package
NH3GG69V250	Z228504	690 V	250 A	21.1 W	51 mm	650 g	1
NH3GG69V300	A228505	690 V	300 A	22.6 W	51 mm	650 g	1
NH3GG69V315	B228506	690 V	315 A	25 W	51 mm	650 g	1
NH3GG69V355	C228507	690 V	355 A	32 W	51 mm	650 g	1
NH3GG69V400	D228508	690 V	400 A	34 W	70 mm	1050 g	1
NH3GG69V425	E228509	690 V	425 A	34 W	70 mm	1050 g	1
NH3GG69V500	F228510	690 V	500 A	43 W	70 mm	1050 g	1

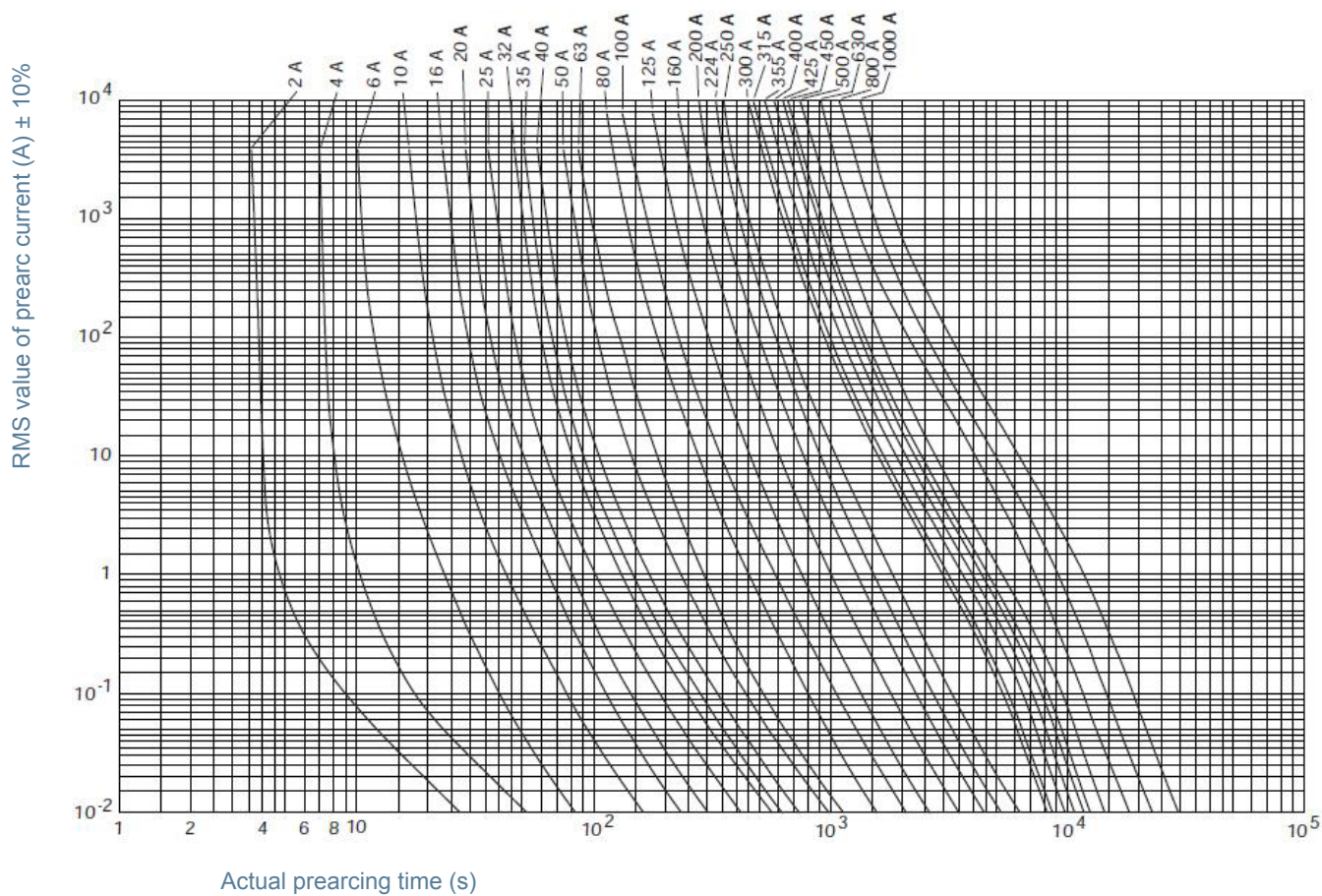
NH fuse-links gG 690VAC

size 000, 00, 0, 1, 2, 3

Technical Data

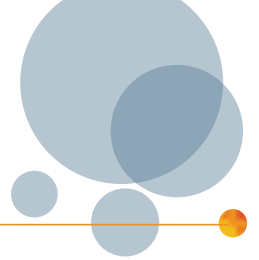
	Size 000	Size 00	Size 0	Size 1	Size 2	Size 3
Rated current	2 ... 80 A	32 ... 100 A	6 ... 160 A	16 ... 250 A	32 ... 335 A	250 ... 500 A
Rated breaking capacity AC	80 kA	80 kA	80 kA	80 kA	80 kA	80 kA
Rated voltage AC	690 V	690 V	690 V	690 V	690 V	690 V
Indication System	double indicator	double indicator	double indicator	double indicator	double indicator	double indicator
Width	20.8 mm	29.5 mm	29.5 mm	-	-	-

Time current characteristic curves

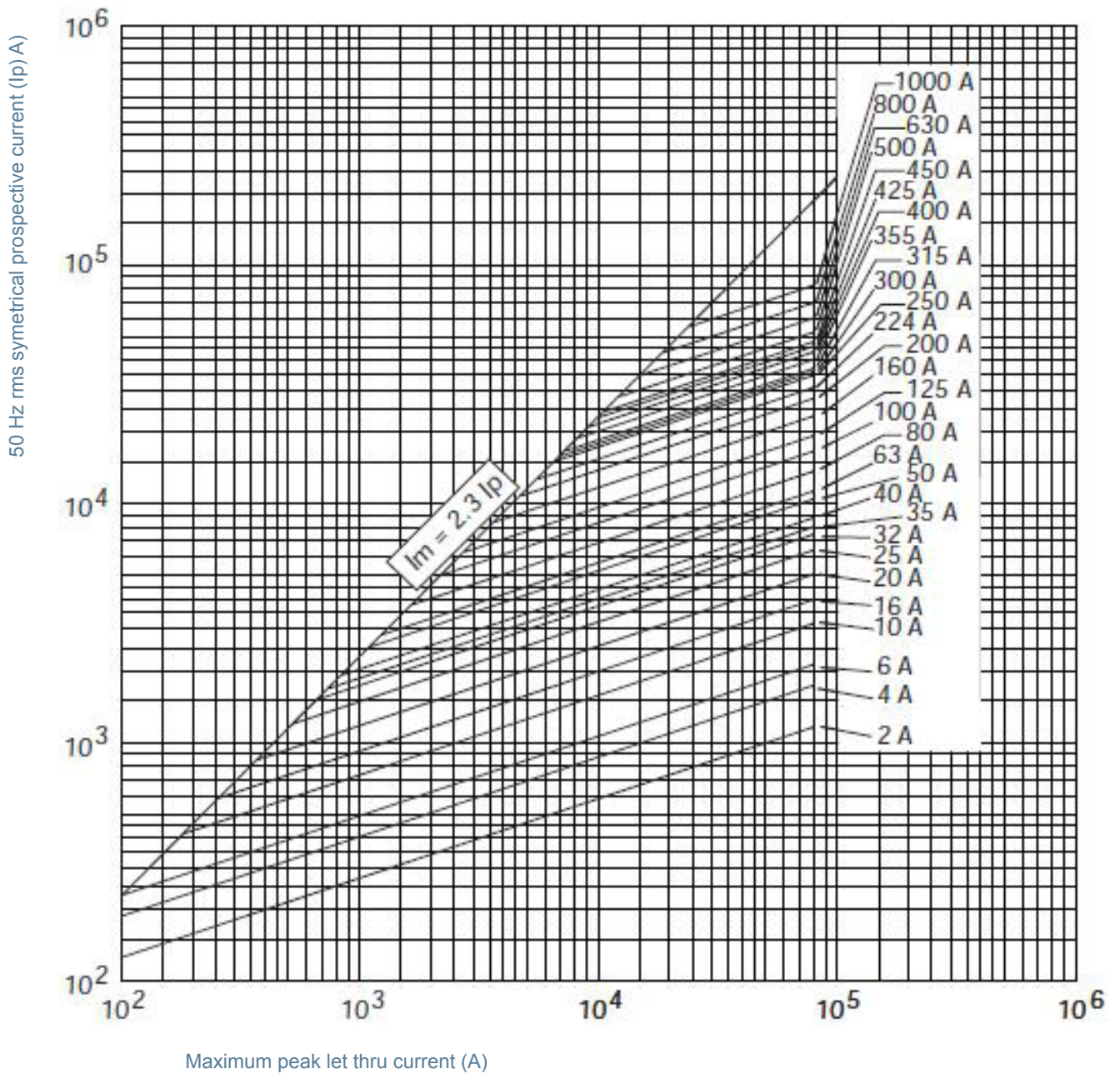


NH fuse-links gG 690VAC

size 000, 00, 0, 1, 2, 3

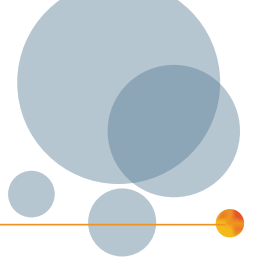


Current limiting diagram

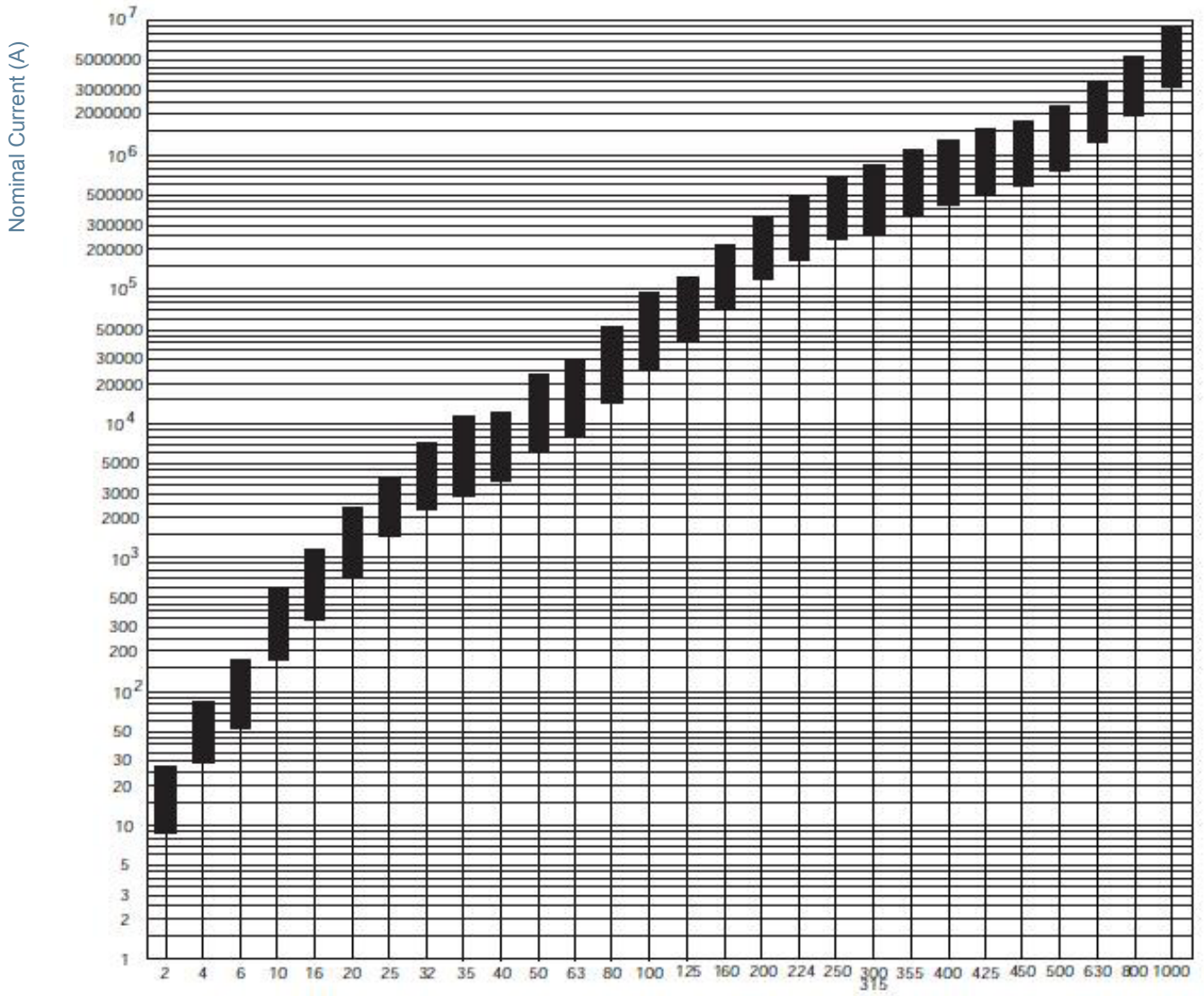


NH fuse-links gG 690VAC

size 000, 00, 0, 1, 2, 3



Characteristics total I²t curve



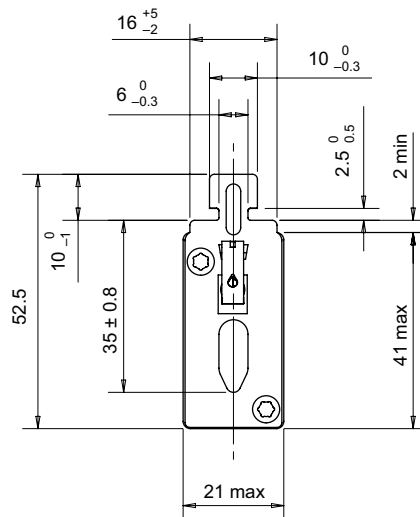
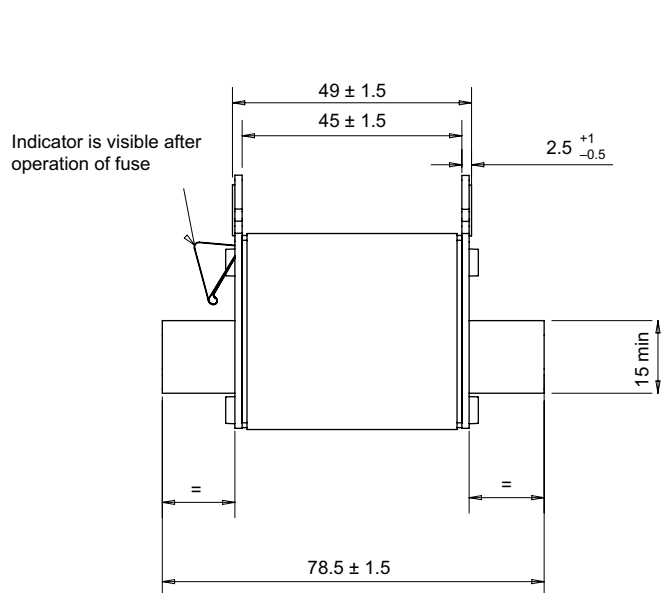
Prearcing and Clearing I²t (A²s)

NH fuse-links gG 690VAC

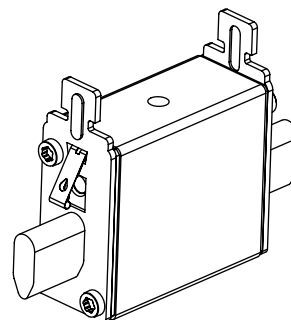
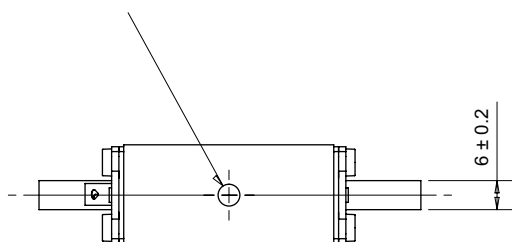
size 000, 00, 0, 1, 2, 3

Dimensions

IEC LV NH-fuse link size 000 with double indicator (0118997C)



Visibility of red indicator signals conduction of the fuse-link. After operation the red indicator is no longer visible.



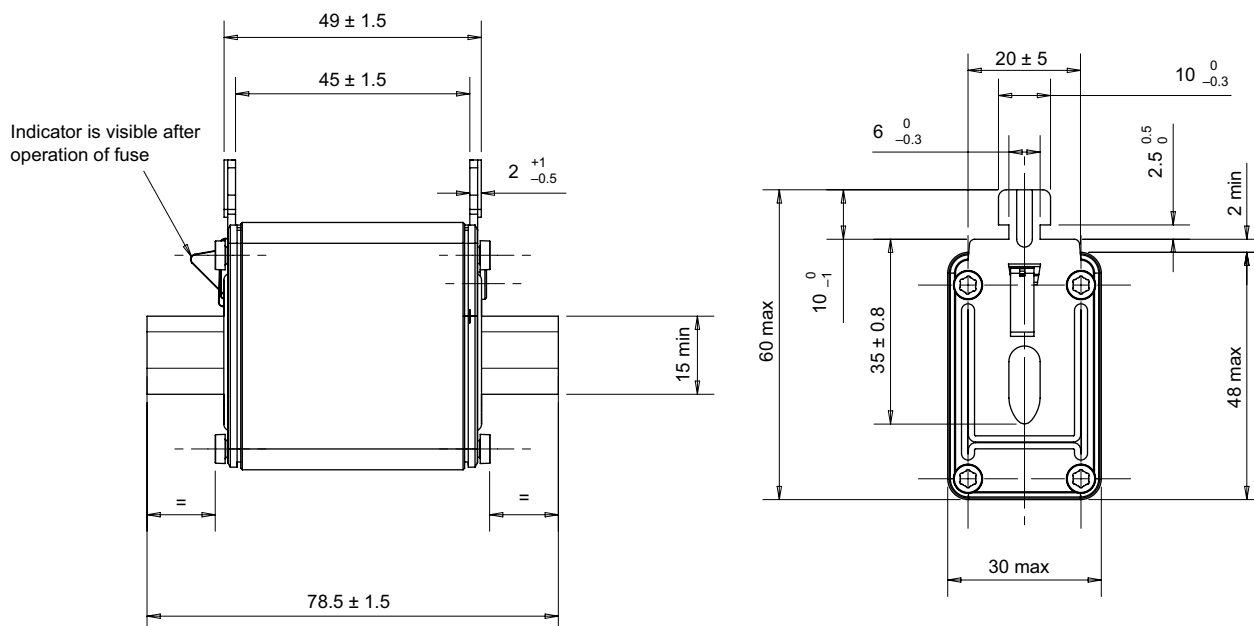
Dimensions in mm

NH fuse-links gG 690VAC

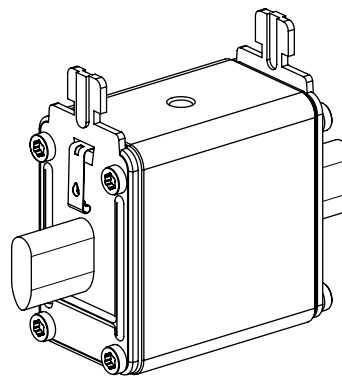
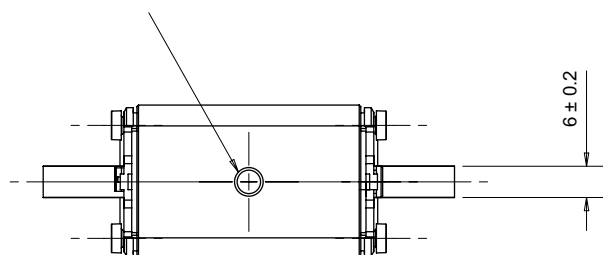
size 000, 00, 0, 1, 2, 3

Dimensions

IEC LV NH-fuse link size 00 with double indicator (118998 D)



Visibility of red indicator signals conduction of the fuse-link.
After operation the red indicator is no longer visible.



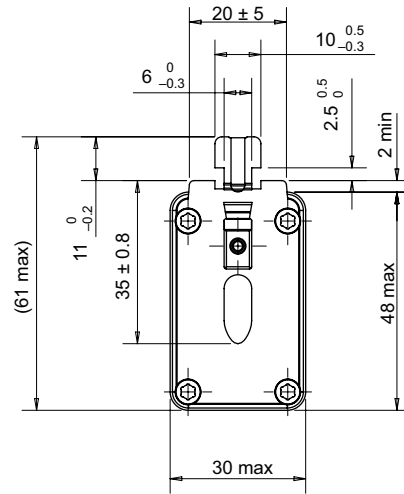
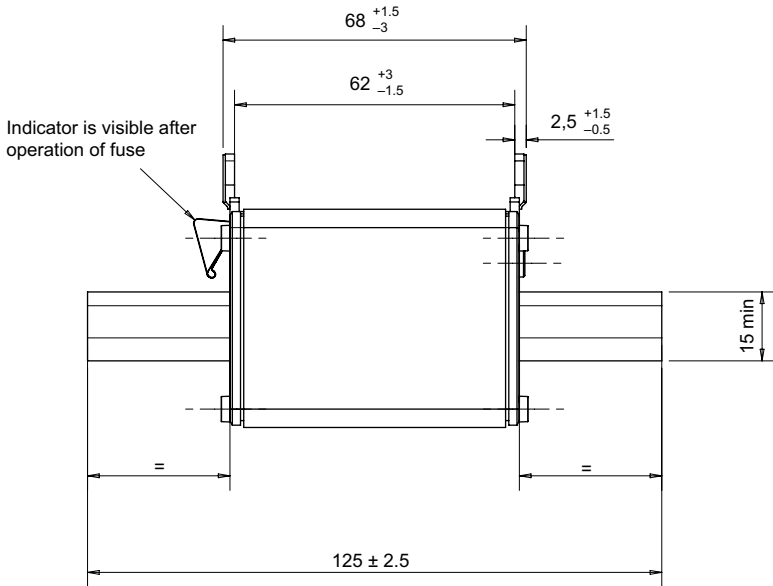
Dimensions in mm

NH fuse-links gG 690VAC

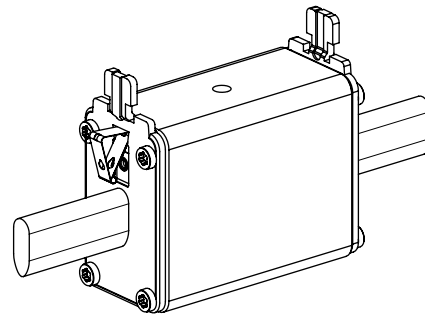
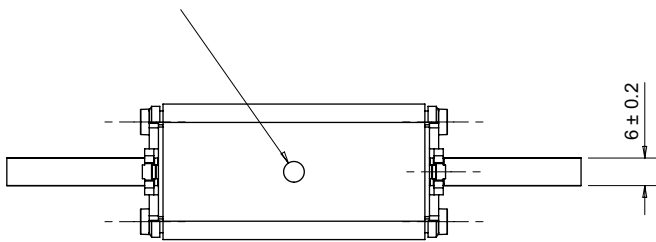
size 000, 00, 0, 1, 2, 3

Dimensions

IEC LV NH-fuse link size 0 with double indicator (118999 C)



Visibility of red indicator signals conduction of the fuse-link.
After operation the red indicator is no longer visible.



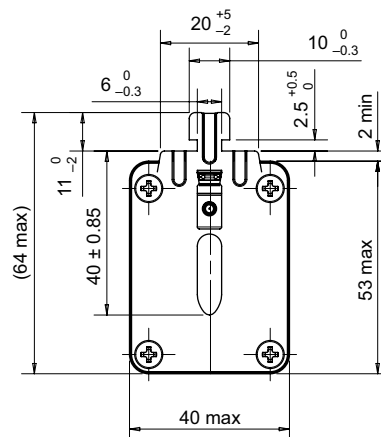
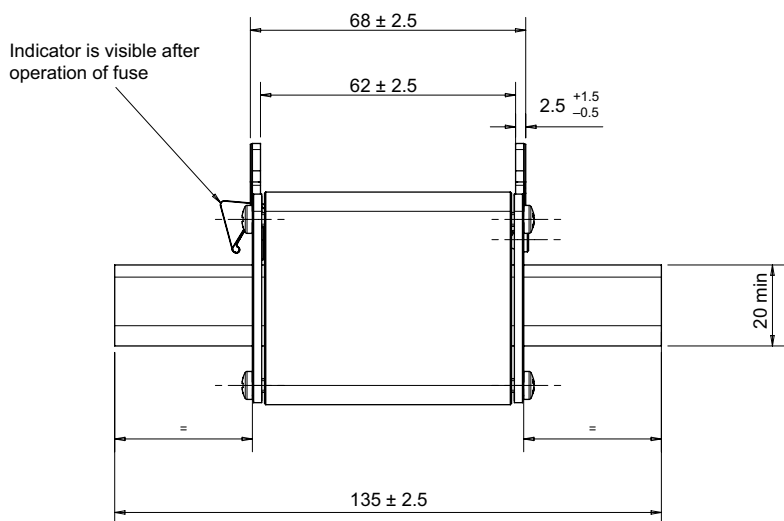
Dimensions in mm

NH fuse-links gG 690VAC

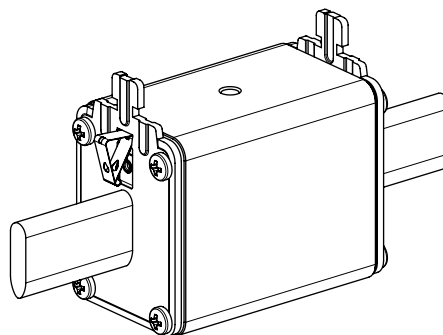
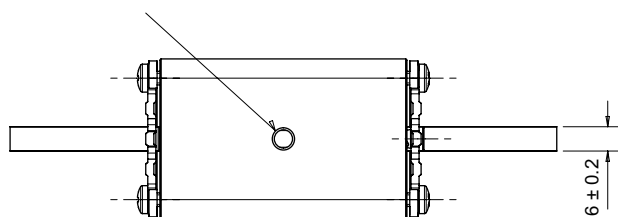
size 000, 00, 0, 1, 2, 3

Dimensions

IEC LV NH-fuse link size 1 with double indicator (119000 C)



Visibility of red indicator signals conduction of the fuse-link.
After operation the red indicator is no longer visible.



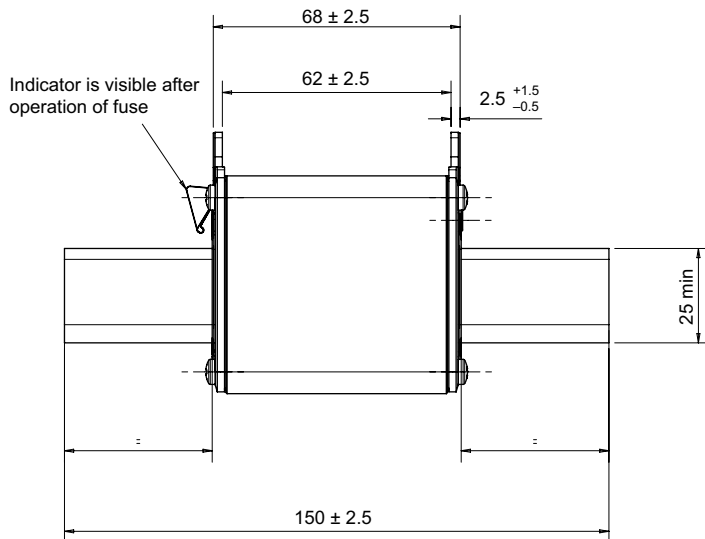
Dimensions in mm

NH fuse-links gG 690VAC

size 000, 00, 0, 1, 2, 3

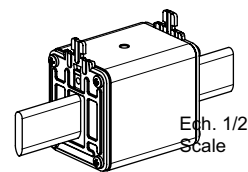
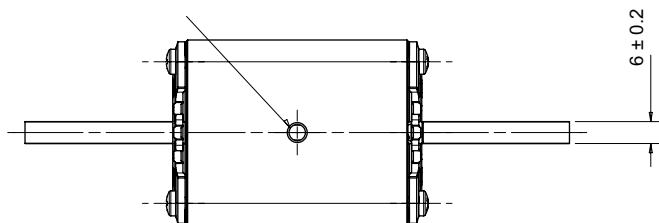
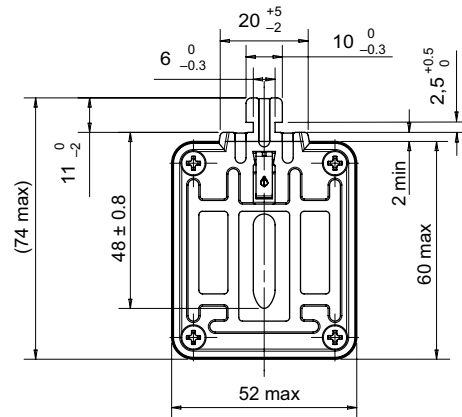
Dimensions

IEC LV NH-fuse link size 2 with double indicator (119001 C)



Indicator is visible after operation of fuse

Visibility of red indicator signals conduction of the fuse-link. After operation the red indicator is no longer visible.



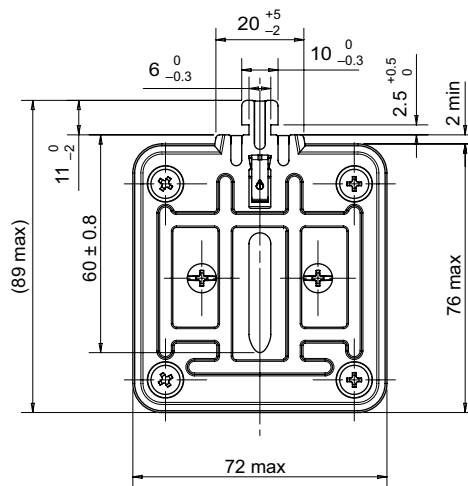
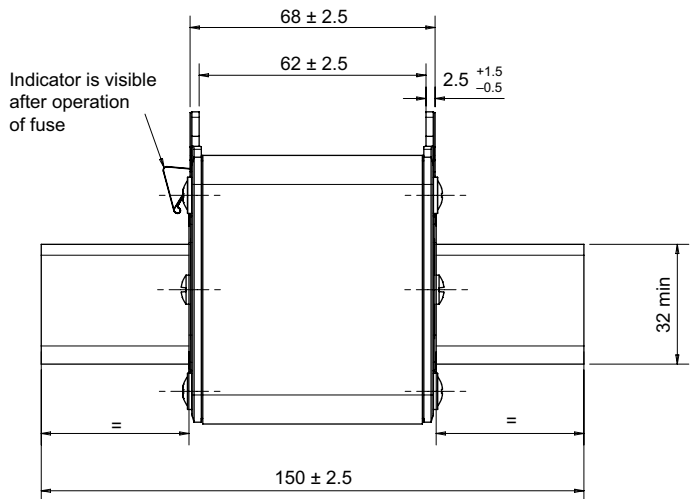
Dimensions in mm

NH fuse-links gG 690VAC

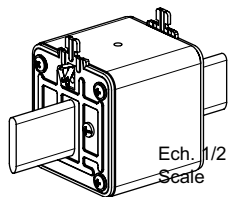
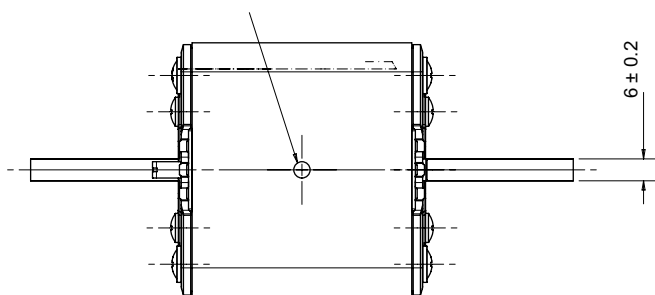
size 000, 00, 0, 1, 2, 3

Dimensions

IEC LV NH-fuse link size 3 with double indicator (119002 C)



Visibility of red indicator signals conduction of the fuse-link.
After operation the red indicator is no longer visible.



Dimensions in mm