

# NH fuse-links gG 500VAC

size 000, 00, 0, 1, 2, 3

## IEC LV NH fuse links with blade contacts

The NH system is classified among plug-in fuse systems and is composed of:

- fuse-base, (possibly including terminal covers and phase barriers)
- fuse-link with blade contact
- fuse-link replacement device (LV HRC fuse puller)

Since the design of this system cannot guarantee non-interchangeability of rated current,

it must be handled by a qualified professional.

### Features Benefits

- Dimensions according to DIN 43 620 Parts 1 to 4 standard
- Non-isolated gripping lugs
- Double indicator
- Lead free contact blades
- 0% cadmium

### Applications

- gG: general purpose cable and line protection

### Technical data overview

Volt (VAC)	500 VAC
Ampere Range (A)	2 ... 800 A
Size per Standard	Sizes 000, 00, 0, 1, 2, 3
Speed/Characteristic	gG
I.R. AC (kA)	120 kA
Body Material	ceramic
Materials Contact	copper, silver-plated



### Standards

DIN 57636 Part 201

VDE 0636 Part 201

IEC 60269-1 and -2



# NH fuse-links gG 500VAC

size 000, 00, 0, 1, 2, 3

## Product range



NH000GG50V2

### Size 000

Catalog number	Reference number	Rated voltage AC (IEC)	Rated current I <sub>n</sub>	Power dissipation at I <sub>n</sub>	Weight	Package
NH000GG50V2	B211946	500 V	2 A	1.9 W	130 g	3
NH000GG50V4	M212462	500 V	4 A	1.5 W	130 g	3
NH000GG50V6	D213995	500 V	6 A	1.6 W	130 g	3
NH000GG50V10	B219651	500 V	10 A	1.1 W	130 g	3
NH000GG50V16	K222097	500 V	16 A	1.8 W	130 g	9
NH000GG50V20	A222847	500 V	20 A	2.3 W	130 g	9
NH000GG50V25	E201185	500 V	25 A	2.4 W	130 g	9
NH000GG50V32	Z211438	500 V	32 A	3.1 W	130 g	9
NH000GG50V35	C211947	500 V	35 A	3 W	130 g	9
NH000GG50V40	N212463	500 V	40 A	3.7 W	130 g	9
NH000GG50V50	T212974	500 V	50 A	4.1 W	130 g	9
NH000GG50V63	E213996	500 V	63 A	5.4 W	130 g	9
NH000GG50V80	Y216543	500 V	80 A	6.5 W	130 g	9
NH000GG50V100	B219122	500 V	100 A	7.5 W	130 g	9



NH00GG50V125

### Size 00

Catalog number	Reference number	Rated voltage AC (IEC)	Rated current I <sub>n</sub>	Power dissipation at I <sub>n</sub>	Weight	Package
NH00GG50V125	R201863	500 V	125 A	10 W	200 g	3
NH00GG50V160	P211084	500 V	160 A	12.3 W	200 g	3



NH0GG50V6

### Size 0

Catalog number	Reference number	Rated voltage AC (IEC)	Rated current I <sub>n</sub>	Power dissipation at I <sub>n</sub>	Weight	Package
NH0GG50V6	H213148	500 V	6 A	1.6 W	270 g	3
NH0GG50V10	G214159	500 V	10 A	1.1 W	270 g	3
NH0GG50V16	Q215179	500 V	16 A	1.8 W	270 g	3
NH0GG50V20	R215686	500 V	20 A	2.3 W	270 g	3
NH0GG50V25	Y216198	500 V	25 A	2.4 W	270 g	3
NH0GG50V32	W216702	500 V	32 A	3.1 W	270 g	3
NH0GG50V35	J217220	500 V	35 A	3 W	270 g	3
NH0GG50V40	P217731	500 V	40 A	3.7 W	270 g	3
NH0GG50V50	Z218246	500 V	50 A	4.1 W	270 g	3
NH0GG50V63	N218765	500 V	63 A	6.6 W	270 g	3
NH0GG50V80	C219284	500 V	80 A	8 W	270 g	3
NH0GG50V100	D219814	500 V	100 A	9.4 W	270 g	3
NH0GG50V125	P222492	500 V	125 A	11.8 W	270 g	3
NH0GG50V160	F223013	500 V	160 A	14.6 W	270 g	3
NH0GG50V200	C229611	500 V	200 A	18.1 W	270 g	3
NH0GG50V224	D229612	500 V	224 A	19.2 W	270 g	3
NH0GG50V250	E229613	500 V	250 A	20.3 W	270 g	3

# NH fuse-links gG 500VAC

size 000, 00, 0, 1, 2, 3

## Product range



NH1G-  
G50V16

### Size 1

Catalog number	Reference number	Rated voltage AC (IEC)	Rated current $I_n$	Power dissipation at $I_n$	Width	Weight	Package
NH1GG50V16	M200801	500 V	16 A	1.8 W	29.5 mm	280 g	3
NH1GG50V20	C201344	500 V	20 A	2.3 W	29.5 mm	280 g	3
NH1GG50V25	N201860	500 V	25 A	2.4 W	29.5 mm	280 g	3
NH1GG50V32	L211081	500 V	32 A	3.1 W	29.5 mm	280 g	3
NH1GG50V35	A211600	500 V	35 A	3 W	29.5 mm	280 g	3
NH1GG50V40	Y212633	500 V	40 A	3.7 W	29.5 mm	280 g	3
NH1GG50V50	B213648	500 V	50 A	4.1 W	29.5 mm	280 g	3
NH1GG50V63	L214669	500 V	63 A	6.6 W	29.5 mm	280 g	3
NH1GG50V80	S215687	500 V	80 A	8 W	29.5 mm	280 g	3
NH1GG50V100	X216703	500 V	100 A	9.4 W	29.5 mm	280 g	3
NH1GG50V125	Q217732	500 V	125 A	11.8 W	39.5 mm	300 g	3
NH1GG50V160	A218247	500 V	160 A	14.6 W	39.5 mm	300 g	3
NH1GG50V200	P218766	500 V	200 A	18 W	39.5 mm	300 g	3
NH1GG50V224	D219285	500 V	224 A	19 W	39.5 mm	300 g	3
NH1GG50V250	E219815	500 V	250 A	20 W	39.5 mm	300 g	3
NH1GG50V315	Q228519	500 V	315 A	20.5 W	39.5 mm	420 g	3
NH1GG50V355	R228520	500 V	355 A	23.7 W	39.5 mm	420 g	3



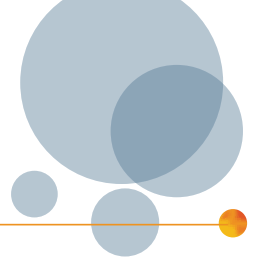
NH2G-  
G50V63

### Size 2

Catalog number	Reference number	Rated voltage AC (IEC)	Rated current $I_n$	Power dissipation at $I_n$	Width	Weight	Package
NH2GG50V25	N200802	500 V	25 A	2.4 W	39.5 mm	420 g	3
NH2GG50V32	D201345	500 V	32 A	3.1 W	39.5 mm	420 g	3
NH2GG50V35	P201861	500 V	35 A	3 W	39.5 mm	420 g	3
NH2GG50V40	M211082	500 V	40 A	3.7 W	39.5 mm	420 g	3
NH2GG50V50	B211601	500 V	50 A	4.1 W	39.5 mm	420 g	3
NH2GG50V63	Z212634	500 V	63 A	6.8 W	39.5 mm	420 g	3
NH2GG50V80	C213649	500 V	80 A	8.3 W	39.5 mm	420 g	3
NH2GG50V100	M214670	500 V	100 A	10.7 W	39.5 mm	420 g	3
NH2GG50V125	T215688	500 V	125 A	12.2 W	39.5 mm	420 g	3
NH2GG50V160	Y216704	500 V	160 A	15 W	39.5 mm	420 g	3
NH2GG50V200	R217733	500 V	200 A	18.5 W	39.5 mm	420 g	3
NH2GG50V224	Q218767	500 V	224 A	19.2 W	39.5 mm	420 g	3
NH2GG50V250	R222494	500 V	250 A	20.6 W	39.5 mm	420 g	3
NH2GG50V300	P200803	500 V	300 A	21 W	51 mm	640 g	3
NH2GG50V315	E201346	500 V	315 A	25 W	51 mm	640 g	3

# NH fuse-links gG 500VAC

size 000, 00, 0, 1, 2, 3



## Product range

### Size 3

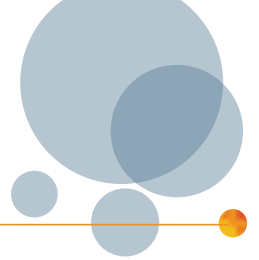
Catalog number	Reference number	Rated voltage AC (IEC)	Rated current $I_n$	Power dissipation at $I_n$	Width	Weight	Package
NH3GG50V250	C211602	500 V	250 A	21.1 W	51 mm	650 g	1
NH3GG50V300	A212635	500 V	300 A	20 W	51 mm	650 g	1
NH3GG50V315	L213151	500 V	315 A	25 W	51 mm	650 g	1
NH3GG50V355	K214162	500 V	355 A	32 W	51 mm	650 g	1
NH2GG50V355	Q201862	500 V	355 A	31.5 W	51 mm	640 g	3
NH2GG50V400	N211083	500 V	400 A	28.5 W	51 mm	640 g	3
NH3GG50V400	T215182	500 V	400 A	34 W	51 mm	1050 g	1
NH3GG50V425	B216201	500 V	425 A	34 W	70 mm	1050 g	1
NH2GG50V425	S228521	500 V	425 A	29.2 W	70 mm	640 g	3
NH3GG50V450	Z216705	500 V	450 A	38 W	70 mm	1050 g	1
NH3GG50V500	M217223	500 V	500 A	43 W	70 mm	1050 g	1
NH2GG50V500	T228522	500 V	500 A	35.6 W	70 mm	640 g	3
NH3GG50V630	S217734	500 V	630 A	43.1 W	70 mm	1050 g	1
NH3GG50V800	V228523	500 V	800 A	53.2 W	70 mm	1050 g	1

## Technical Data

	Size 000	Size 00	Size 0	Size 1	Size 2	Size 3
Rated current	2 ... 100 A	125 ... 160 A	6 ... 250 A	16 ... 355 A	25 ... 315 A	250 ... 800 A
Rated breaking capacity AC	120 kA	120 kA	120 kA	120 kA	120 kA	120 kA
Rated voltage AC	500 V	500 V	500 V	500 V	500 V	500 V
Indication System	double indicator	double indicator	double indicator	double indicator	double indicator	double indicator
Width	20.8 mm	29.5 mm	29.5 mm	-	-	-

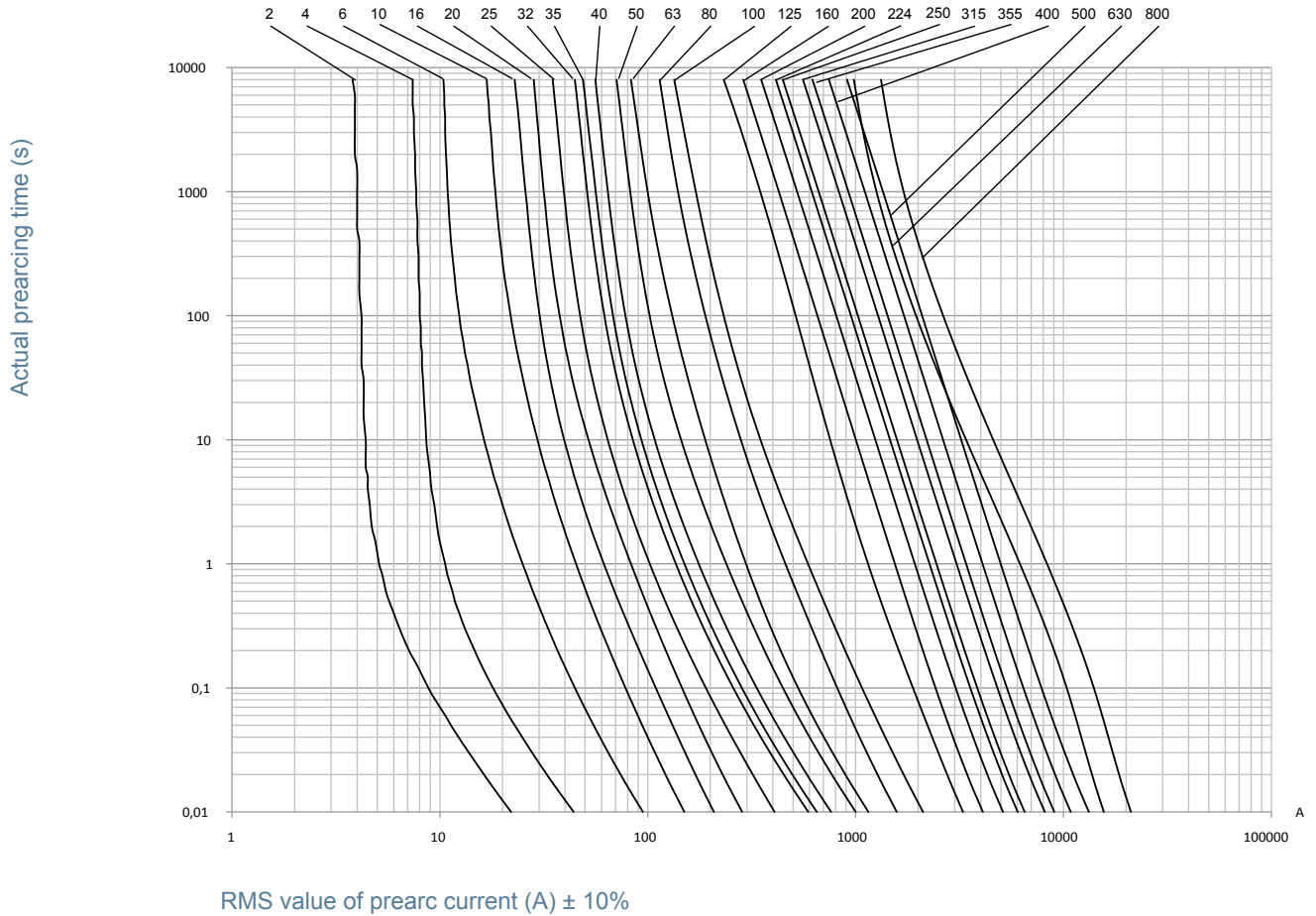
# NH fuse-links gG 500VAC

size 000, 00, 0, 1, 2, 3



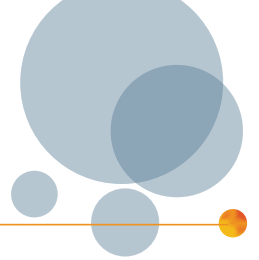
## Time current characteristic curves

### NH fuse-links gG 2A to 800A

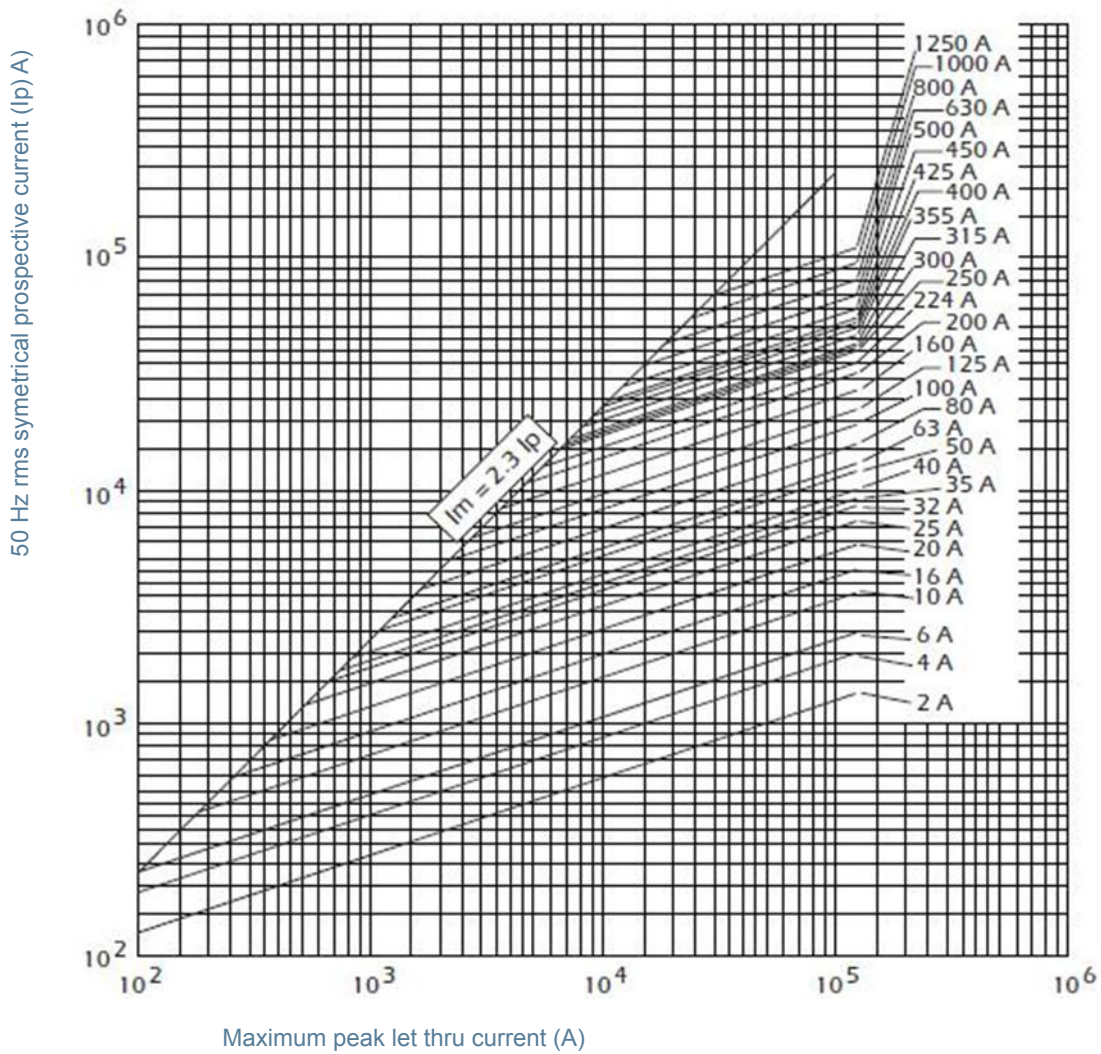


# NH fuse-links gG 500VAC

size 000, 00, 0, 1, 2, 3

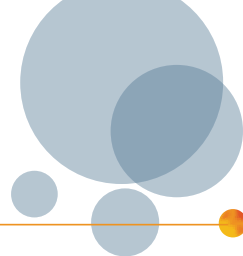


## Current limiting diagram

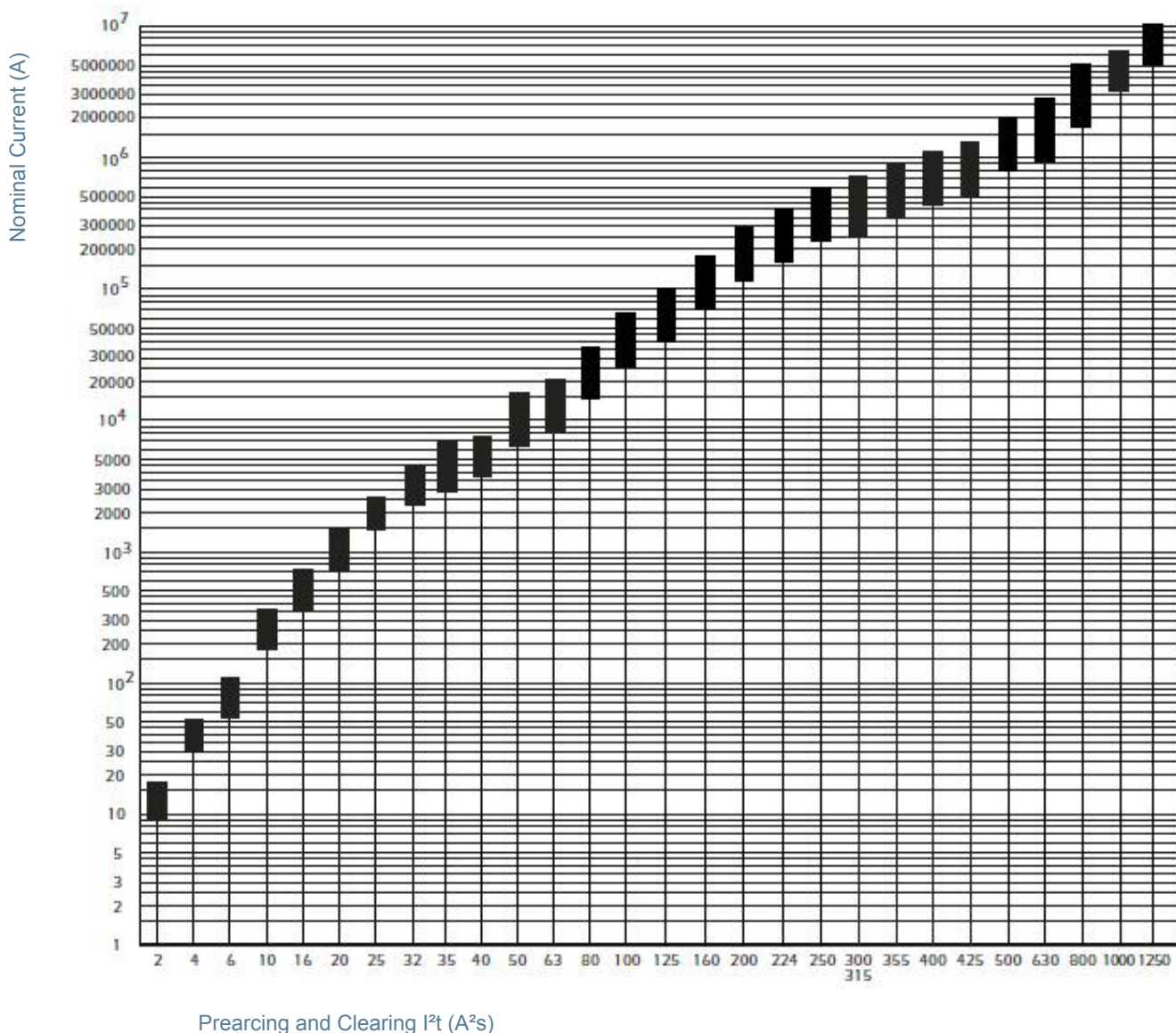


# NH fuse-links gG 500VAC

size 000, 00, 0, 1, 2, 3



## Characteristics total I<sup>2</sup>t curve



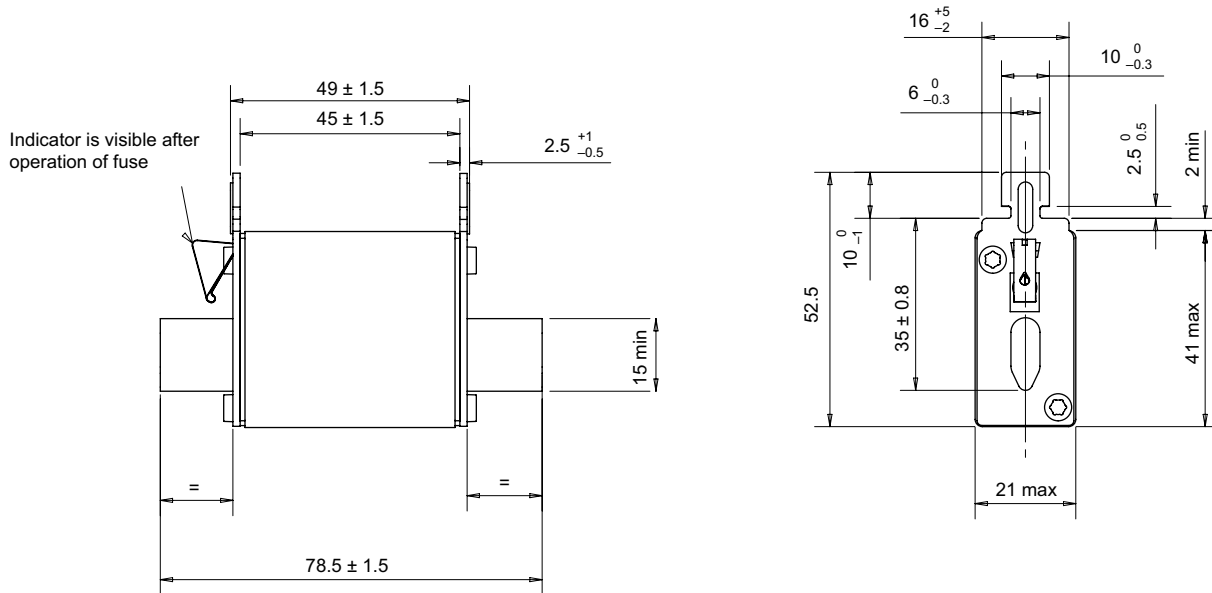


# NH fuse-links gG 500VAC

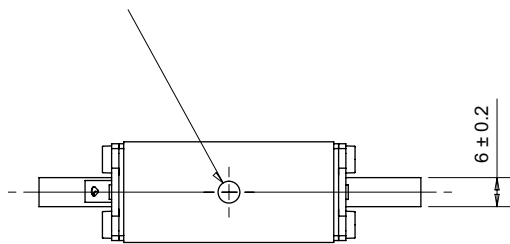
size 000, 00, 0, 1, 2, 3

## Dimensions

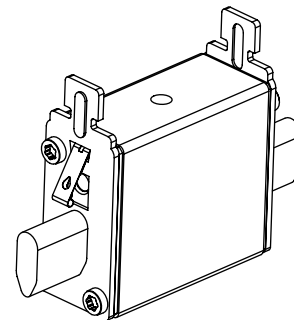
IEC LV NH-fuse link size 000 with double indicator (0118997C)



Visibility of red indicator signals conduction of the fuse-link. After operation the red indicator is no longer visible.



Dimensions in mm



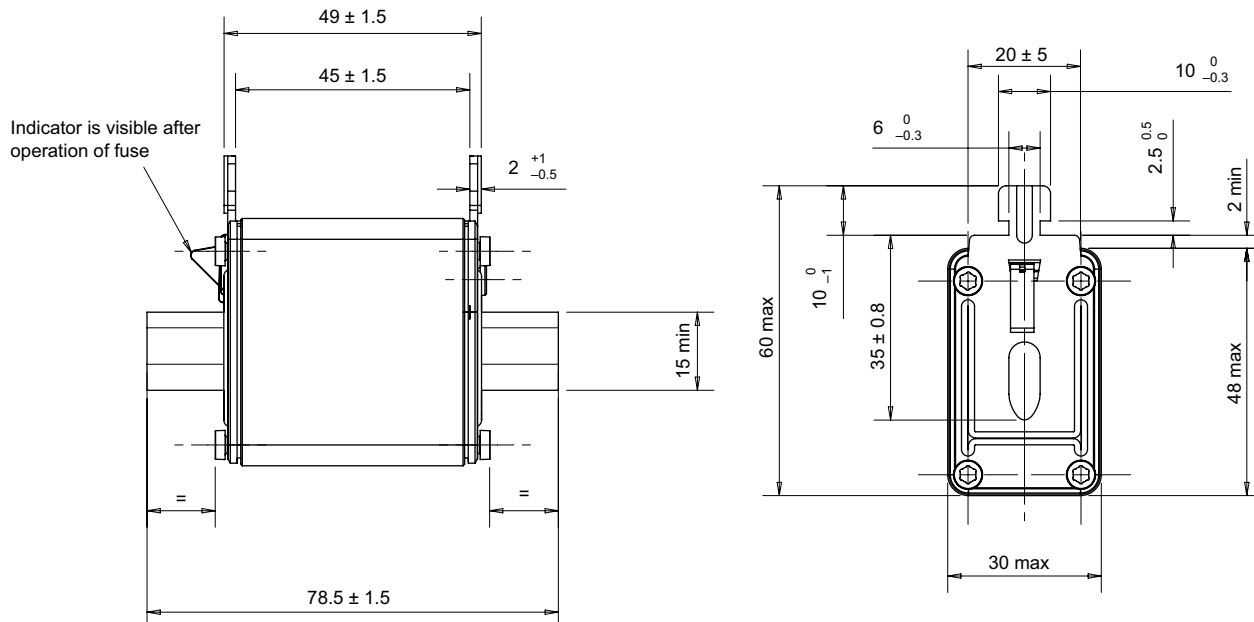


# NH fuse-links gG 500VAC

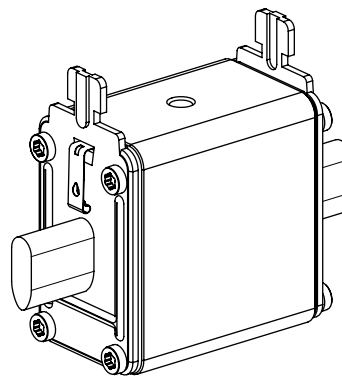
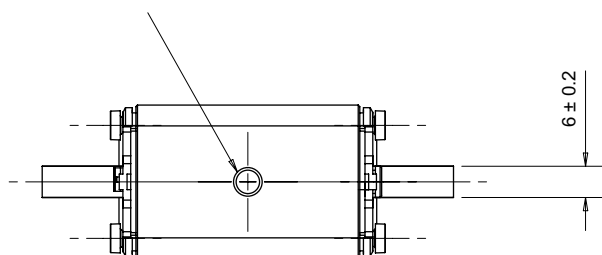
size 000, 00, 0, 1, 2, 3

## Dimensions

IEC LV NH-fuse link size 00 with double indicator (118998 D)



Visibility of red indicator signals conduction of the fuse-link.  
After operation the red indicator is no longer visible.



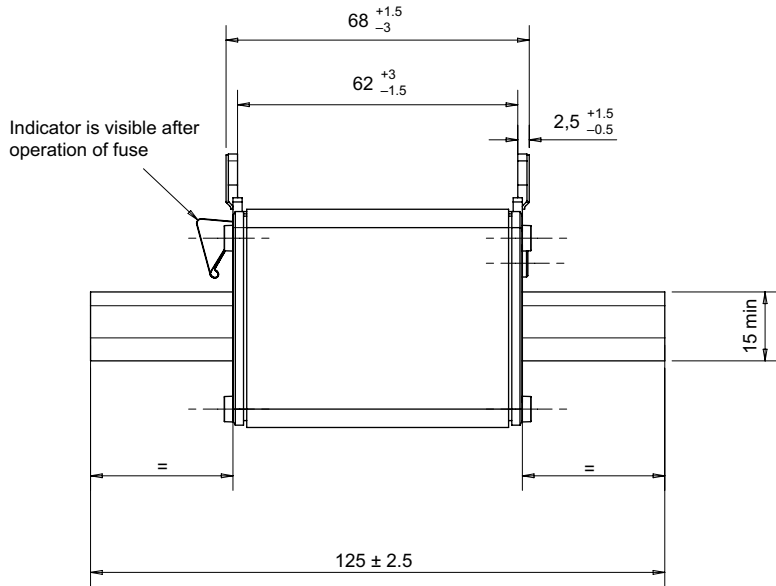
Dimensions in mm

# NH fuse-links gG 500VAC

size 000, 00, 0, 1, 2, 3

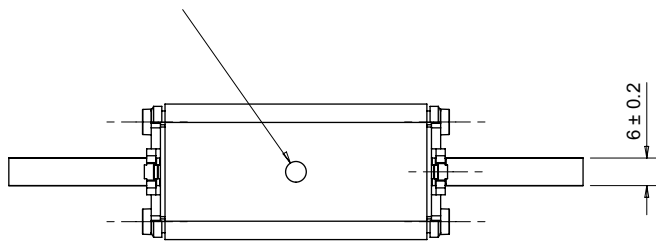
## Dimensions

IEC LV NH-fuse link size 0 with double indicator (118999 C)

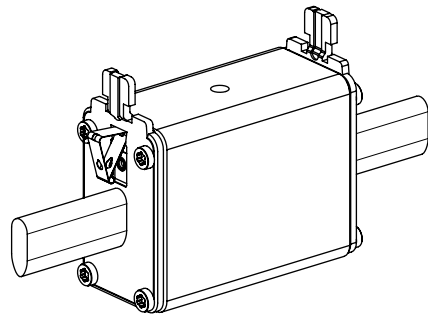


Indicator is visible after operation of fuse

Visibility of red indicator signals conduction of the fuse-link. After operation the red indicator is no longer visible.



Dimensions in mm

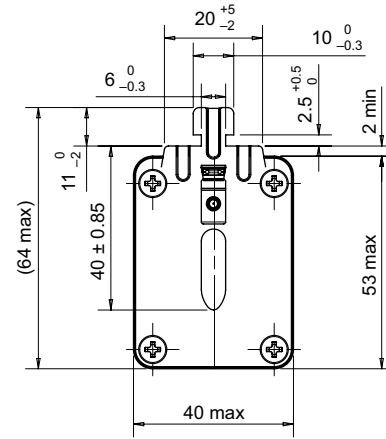
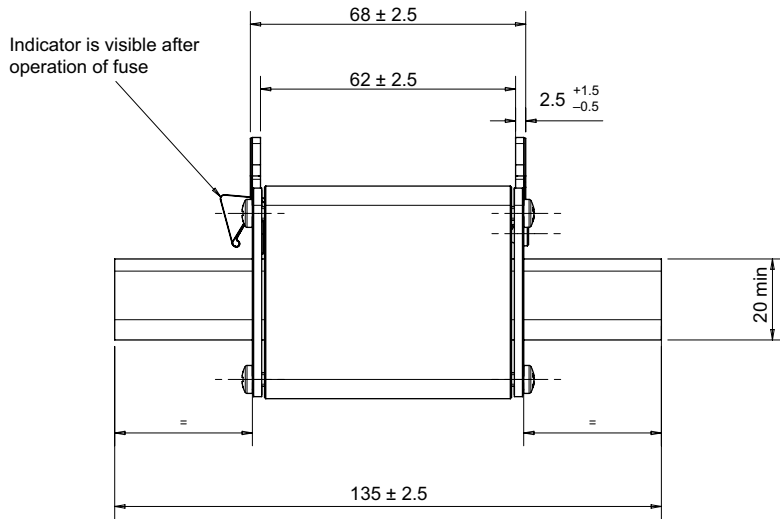


# NH fuse-links gG 500VAC

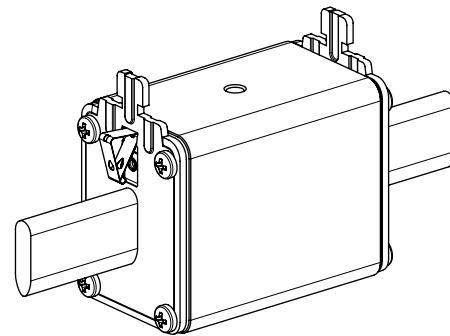
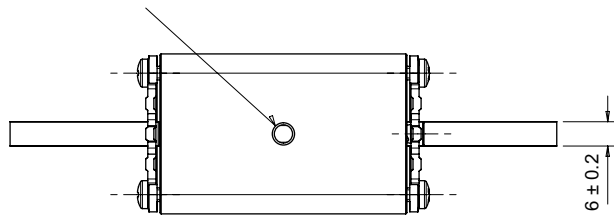
size 000, 00, 0, 1, 2, 3

## Dimensions

IEC LV NH-fuse link size 1 with double indicator (119000 C)



Visibility of red indicator signals conduction of the fuse-link.  
After operation the red indicator is no longer visible.



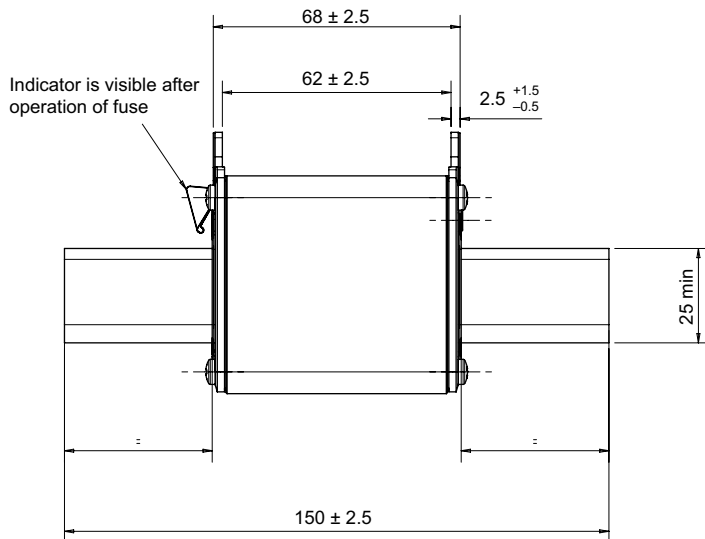
Dimensions in mm

# NH fuse-links gG 500VAC

size 000, 00, 0, 1, 2, 3

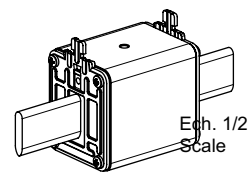
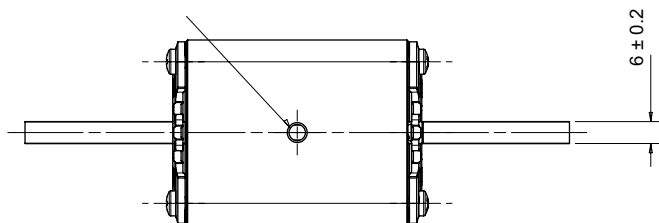
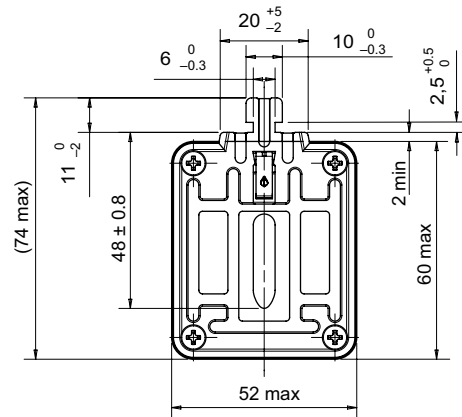
## Dimensions

IEC LV NH-fuse link size 2 with double indicator (119001 C)



Indicator is visible after operation of fuse

Visibility of red indicator signals conduction of the fuse-link. After operation the red indicator is no longer visible.



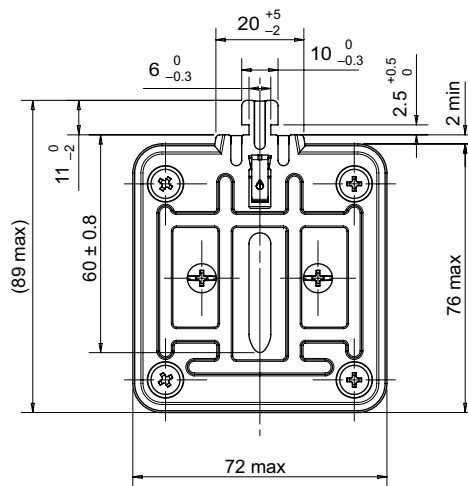
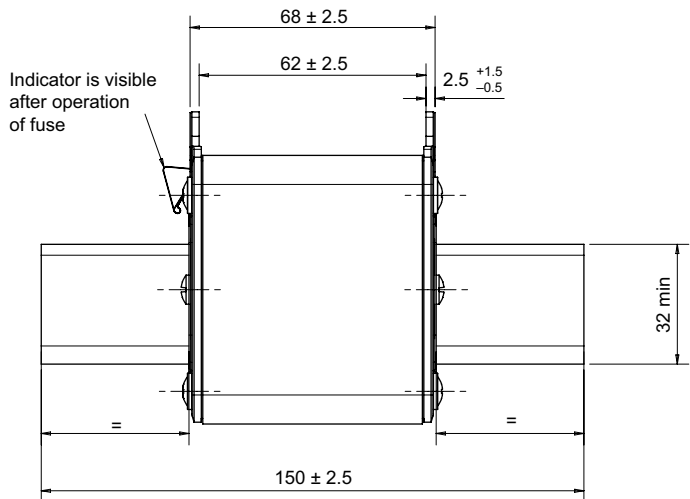
Dimensions in mm

# NH fuse-links gG 500VAC

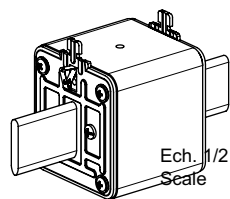
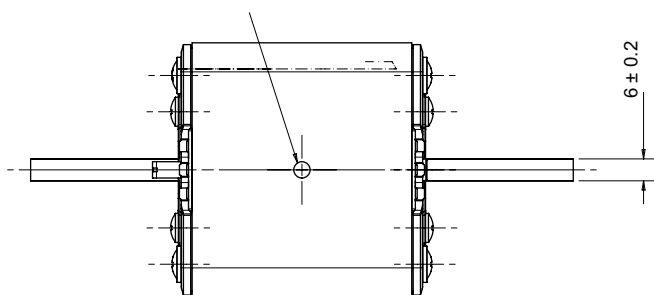
size 000, 00, 0, 1, 2, 3

## Dimensions

IEC LV NH-fuse link size 3 with double indicator (119002 C)



Visibility of red indicator signals conduction of the fuse-link.  
After operation the red indicator is no longer visible.



Dimensions in mm