

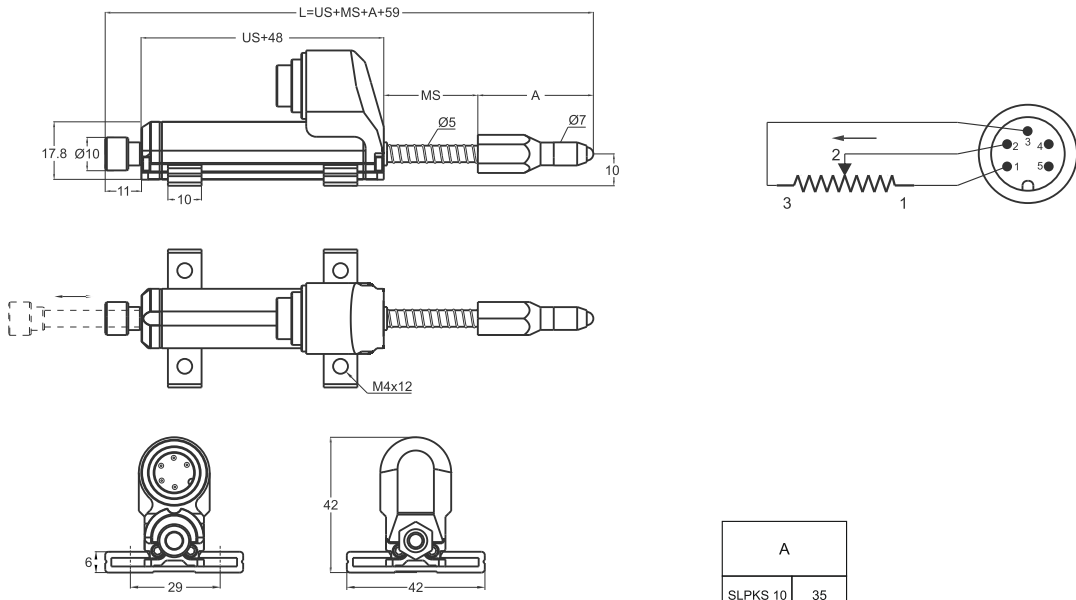
Linear Potentiometer Spring Return, Slim Body Series

- Measuring range 10 - 100 mm
- Long mechanical life
- Excellent repeatability <0.01 mm
- Infinite resolution
- 2 kOhm : 10 ... 50 mm
- 5 kOhm : 75 ... 100 mm



Technical specifications

Measurement stroke	10 to 100 mm
Linearity	±%0,2 (75 - 130 mm), ±%0,5 (>75 mm)
Repeatability	< 0.01 mm
Resolution	Infinite
Resistance	2 kOhm : 10 ... 50 mm 5 kOhm : 75 ... 100 mm
Resistance tolerance	± %20
Load resistance	100 kOhm min.
Recommended cursor current	<1 µA
Permissible applied voltage	28 VDC max.
Electrical connections	Connector or 1 m cable output
Displacement speed	< 5 m/s
Mechanical life	100 million movement
Case dimensions	Ø18 mm
Case material	Anodized aluminium
Rod material	Stainless steel
Rod diameter	Ø5 mm
Mechanical fixing	Variable brackets
IP degree	IP 65
Operating temperature	-20°C ... +80°C
Storage temperature	-30°C ... +90°C



SLPKS(mm)	10	25	50	75	100
US (Usefull Stroke)	10	25	50	75	100
MS (Mechanical Stroke)	13	28	53	78	103
L (Total Length)	117	147	204	254	304

A	
SLPKS 10	35
SLPKS 25	35
SLPKS 50	42
SLPKS 75	42
SLPKS 100	42

Model	Measurement stroke (mm)	Linearity (%)	Resistance (kOhm)	Connector / Cable
(example) SLPKS	100	D	5K	C5
SLPKS	10 ... 100 mm	D: ± %0,2 (75 - 130 mm) ± %0,5 (<75 mm)	2K: 2 kOhm (< 75 mm) 5K: 5 kOhm (75 - 100 mm)	1M: 1 meter cable (standard) C5: Connector