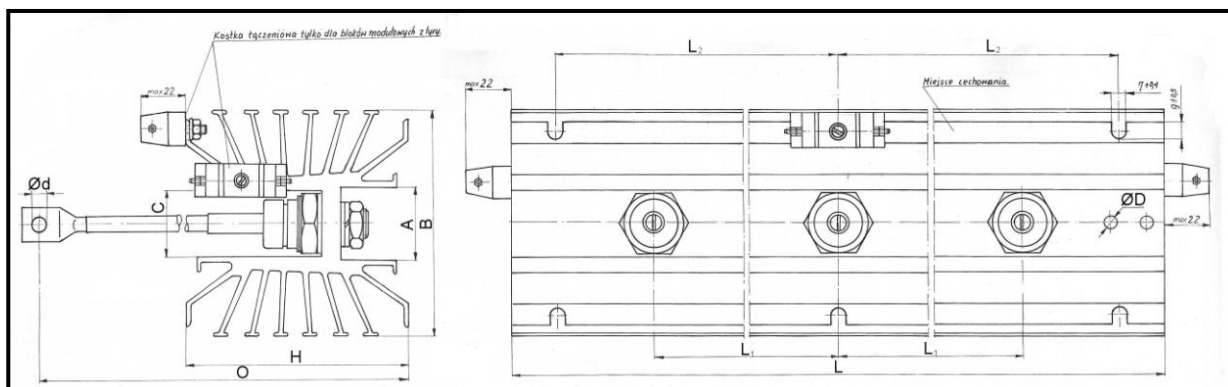




Assemblies type RP381 are design

**Package details**



A	B <sub>max</sub>	C	$\varnothing d$	$\varnothing D$	H	$L^{\pm 1}$	$L_1^{\pm 1}$	$L_2^{\pm 1}$	O
mm									
32	102	30	6,6	7	102	381	127	170,5	191,5

For further package information, please contact Sales & Marketing Department.  
Do not scale.