

**ebm-papst St. Georgen GmbH & Co. KG**

Hermann-Papst-Str. 1

D-78112 St. Georgen

Phone +49 (0) 7724 81-0

Fax +49 (0) 7724 81-1309

info2@de.ebmpapst.com

www.ebmpapst.com

**Nominal data**

Type	512 F-532	
Nominal voltage	VDC	12
Nominal voltage range	VDC	10.8 .. 13.2
Speed (rpm)	min <sup>-1</sup>	5000
Power consumption	W	0.9
Min. ambient temperature	°C	-20
Max. ambient temperature	°C	85
Air flow	m <sup>3</sup> /h	20
Sound power level	B	4.5
Sound pressure level	dB(A)	30

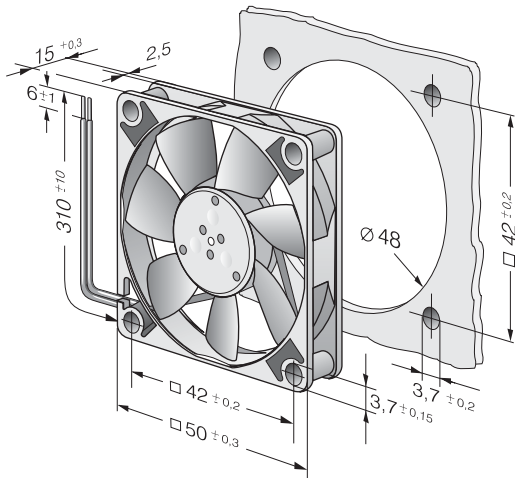
ml = Max. load · me = Max. efficiency · fa = Free air · cs = Customer specification · ce = Customer equipment  
Subject to change

**Technical description**

<b>Weight</b>	0.027 kg
<b>Dimensions</b>	50 x 50 x 15 mm
<b>Impeller material</b>	PA 6.6 plastic, glass-fiber reinforced
<b>Housing material</b>	PBT plastic, glass-fiber reinforced
<b>Airflow direction</b>	Exhaust over struts
<b>Direction of rotation</b>	Counterclockwise, viewed toward rotor
<b>Storage</b>	Sintec sleeve bearing
<b>Service life L10 at 20 °C</b>	50000 h
<b>Service life L10 at 60 °C</b>	20000 h
<b>Cable</b>	Leads AWG 28, TR 64, stripped and tin-plated.
<b>Option</b>	Possible custom designs: Speed signal Go / No-go alarm PWM control input Moisture protection



## Product drawing



## Curves: Air performance

