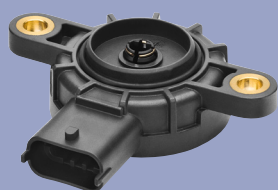


**NOVOHALL
Rotary Sensor
non-contacting**

Series RSC6600



Special features

- non-contacting, Hall-effect magnetic principle
- electrical range up to 360°
- analog voltage output
- high temperature range, -40 to +140 °C
- captive magnetic marker provides easy mounting
- protection class IP67 (mounted with o-ring)
- integrated 3-pin Bosch connector
- long life - no shafts or dynamic seals to wear
- very favorable price / performance ratio

The RSC6600 converts angular position into a proportional analog voltage, using Novotechnik's highly robust NOVOHALL contactless technology.

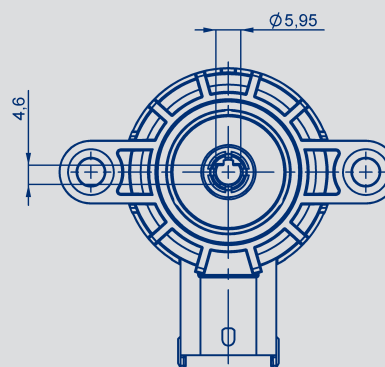
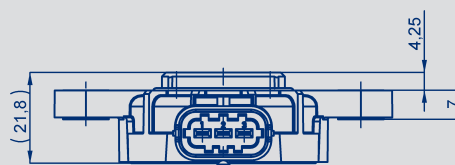
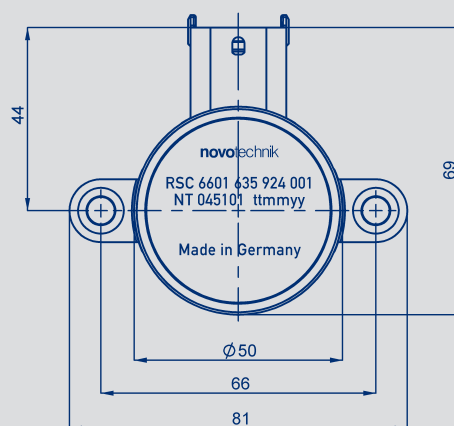
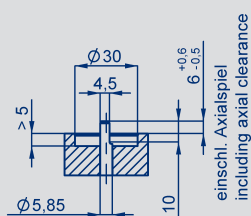
It provides a captive magnet carrier, but is fully touchless in operation, with no shaft or shaft seals to wear.

The housing is constructed of a special high grade temperature resistant plastic, with brass inserts in the mounting holes.

The RSC6600 is sealed to IP6k7, and is insensitive to dirt, moisture, temperature, and vibration, making it suitable for use in difficult environments, such as automotive under-hood applications.

Special models with different electrical angles and contact versions are available upon request.

Dimensions of driving side



Description

Housing	high-grade, temperature-resistant plastic
Shaft	high-grade plastic
Electrical connections	connector (male) with 3 pins, Bosch connector 1 928 S00
Sealing	O-ring

Novotechnik
Messwertaufnehmer OHG
Postfach 4220
73745 Ostfildern (Germany)
Horbstraße 12
73760 Ostfildern (Germany)
Telefon +49 711 4489-0
Telefax +49 711 4489-118
info@novotechnik.de
www.novotechnik.de



© 07/2014
Subject to changes.
Printed in Germany.

Type designation	RSC-6601-635-924-001	
Mechanical Data		
Dimensions	see dimension drawing	
Mounting	2 cylinder screws M6	
Mechanical angle	unlimited rotation	
Mounting torque of clamps at housing flange	8 - 10	Nm
Maximum allowed axial and radial loads when installing sensor onto mating shaft	100	N
Maximum operational speed	mechanically unlimited	
Weight	approx. 37	g
Electrical Data		
Supply voltage U_b	5 (4.5 ... 5.5)	VDC
Update rate	1.5 (2.5 on request)	kHz
Current consumption (w/o load)	15 (8 on request)	mA
Reverse voltage	yes, supply lines (-12 V)	
Short circuit protection	yes (output vs. GND and U_b , -0.3 ... 18 V)	
Measuring range	350 (factory programmable), other angles on request	°
Repeatability	0.5	°
Absolute linearity	1.5	±% FS
Output	ratiometric to U_b , 3 ... 97 % (load > 10 k Ω)	
TC	typ. 70	± ppm/K
Environmental Data		
Operating temperature	-40...+140	°C
Vibration	sinus 20...2000 Hz, 1 octave / minus 3 axes, a max. = 30, 43 h per axis (= 129 h)	g
Protection class ISO 20653 / IEC 60529	up to IP66, IP6k7 (mounted with O-ring)	
EMC Compatibility	EN 55025 (CISPR 25): Class 3 SAE J1113-13: Apply Contact +4 kV and Air Contact +8 kV, ISO 11452-2 (AM): 30 V/m ISO 11452-2 (Pulse) MIL-STD-461E-RS101	
Ordering specification		
Type	P/N	
RSC-6601-635-924-001	045101	

Other versions on request.

Necessary accessories

Mating connector (female)
Bosch compact connector
3-pin (P/N 1 928 403 870),
Contacts AMP Junior Power
Timer (P/N 929939-3 for
0.5 - 1 mm²),
Mating single wire seal
(P/N 828904).

Recommended accessories

MAP process control
indicators with display