

Counters

Electromechanical counters

Types E2CT4



- 5 digit miniature pulse counter
- Long operating life (50Mio pulse)
- 130mW consumption
- With reset button
- All AC and DC voltages
- Types to fit DIN 24x48
- Suitable for battery operation
- IP41

Product Description

This range of very reliable and durable counters is indicated for applications where small dimensions and low power

consumption is a must: self powered devices, vending machines, automatic message systems.

Ordering Key

E2CT4 5 001 012

Type _____
 Digits _____
 Housing type _____
 Voltages _____

Stock items: E2CT45210013
 E2CT45210051
 E2CT45210054
 E2CT45210056
 E2CT45210210

Approvals



Digits

5	5 digits
---	----------

Measuring Specifications

Counting mode	adding
Max pulse speed	10 pulse/s
On time	50ms
Pulse interval	> 50Mio
Reset	Front reset push button

Housing

010	Housing without front panel, rear screw mount (fig.1)
011	Base mount with two mounting holes (fig.2)
056	Built in counter with spring, 31x20mm [1.221x0.788"] (fig.3)
210	Panel mount with spring clip 31x20mm [1.221x0.788"] (fig.4)
510	DIN housing 24x48, 22x45mm [0.866x1.772"] (fig.5)
910	Built in counter with spring, 37.5x23.5mm [1.477x0.925"] (fig.6)

General Data

Dimensions of digits	1.7x4mm/0.066"x0.158"
Colour of digit figures	White on Black
Figures shaft	Stainless steel
Power consumption	
AC	0.75VA ≤(115V) 1.5VA (230V)
DC	0.5W (130mW on request)
Operating temperature	-10...+50°C/14...122°F
Operating life	>50x10 ⁶ pulses
Mounting position	Any
Connections	
Panel and surface mount	Flying leads AWG22 150mm length
PCB	Round Ø1.66mm/0.065" pins
Degree of protection	IP41

Voltages

Housing Type	12 VDC	24 VDC	24 VAC	115 VAC	230 VAC
010	012	013	051	054	056
011	012	013	051	054	056
056	012	013	051	054	056
210	012	013	051	054	056
510	012	013	051	054	056
910	012	013	051	054	056

Dimensions mm/inches

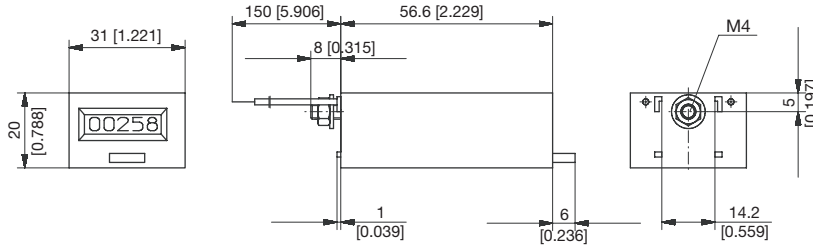


Fig. 1 housing type 010

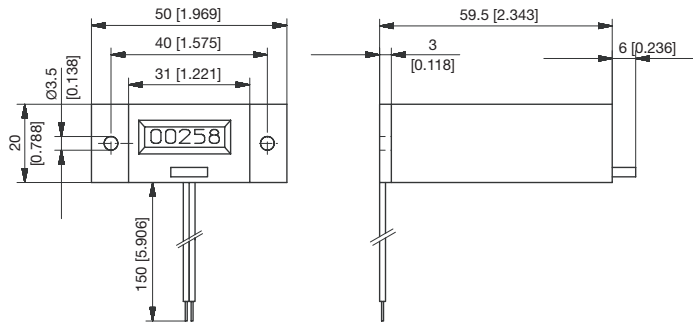


Fig. 2 housing type 011

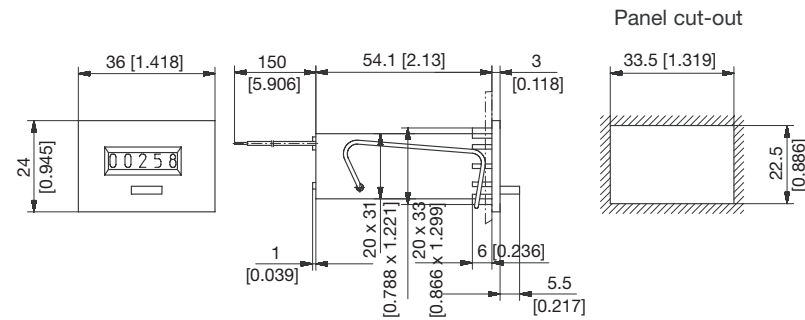


Fig. 3 housing type 056

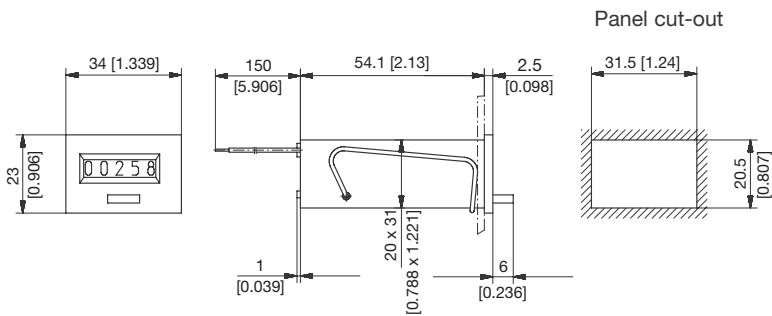


Fig. 4 housing type 210

Dimensions mm/inches

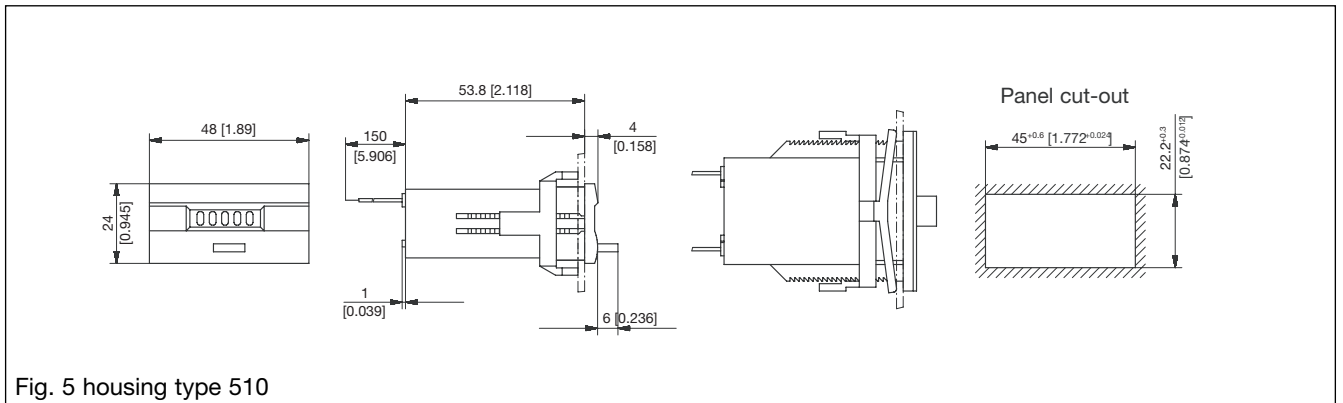


Fig. 5 housing type 510

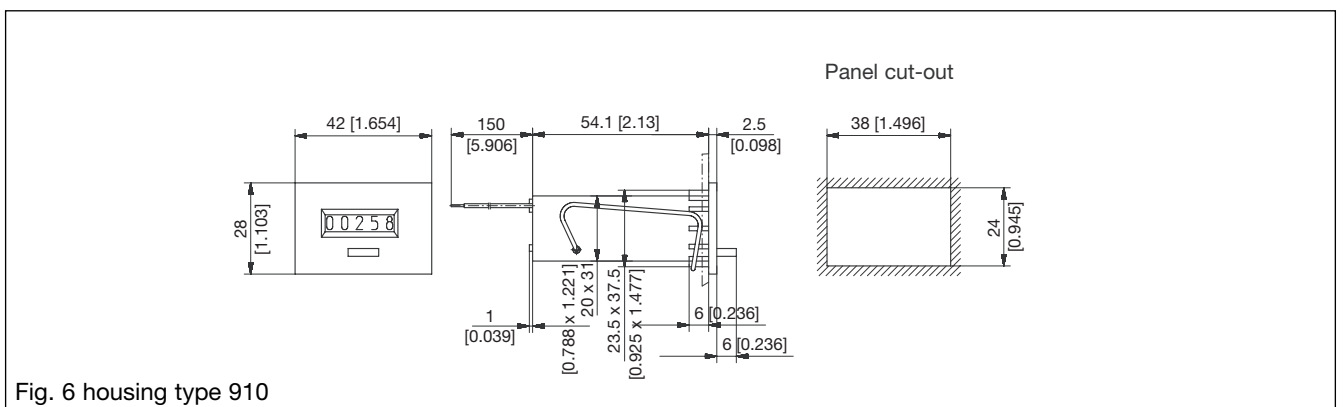


Fig. 6 housing type 910