

MULTIFIX® 60 System cover

Components for 60mm Systems

MULTIFIX® 60 is a system for energy distribution comprising a variety of modular combinable components. The energy distribution is carried out via copper bus bars in a 60 mm bus bar system up to 630 A, 400 V AC, 500 V AC, 690 V AC, 45–62 Hz. Short circuit withstand tested to VDE 0660 part 500 and IEC 60439-1.

MULTIFIX® 60 is suitable for triple pole, quadruple pole and quintuple pole applications.

The components of the MULTIFIX® 60 system are mounted directly without drilling. This method offers high flexibility for extension and alteration of existing installations -> reduced installation time.

The MULTIFIX 60 patented cover shielding system guarantees complete touch protection of installations on to 60 mm bus bar systems. It is a system shielding for installation of D02-fuse systems of uniform profile in height in combination with MULTIVERT® 160 A NH-vertical fuse switch disconnectors and MULTIBLO® 160 A - 400 A NH-fuse switch disconnectors. Touch protection is achieved for supporting height 70 or 90 mm.

Features Benefits

- Patented cover shielding system
- Complete touch protection for installations on to 60 mm bus bar system
- Supporting height 70 or 90 mm
- System shielding for installation of D02-fuse systems of uniform profile in height in combination with MULTIVERT 160 A NH-vertical fuse switch disconnectors and MULTIBLOC 160 A - 400 A NH-horizontal fuse switch disconnectors

Applications

- Panel board builders
- Control system engineering
- Industrial plants
- Heating & air conditioning systems

Technical data overview

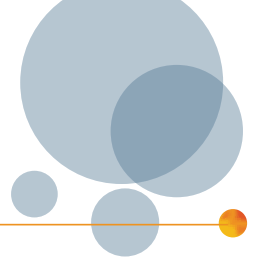
Volt (VAC)	690 VAC
Ampere Range (A)	2 ... 630 A



Standards

in accordance with IEC/EN 60439-1 and VDE 0660 part 500





Product range

D02-cover shielding set for MULTIFIX® 60 for supporting edge 70 mm

Catalog number	Reference number	Design	Weight kg ¹⁾	Package
1.001.729	K1026614	cover shield for D02-vertical fuse switch disconnecter for total length of 255 mm 1 set=2 lateral shields+2 coverf shields (snap on)	0.16	1 set
1.001.386	H1026612	cover shield for D02-fuse base for total length of 255 mm 1 set=2 lateral shields+2 coverf shields (snap on)	0.11	1 set
1.001.387	J1026613	cover shield for D02-fuse base for total length of 325 mm 1 set=2 lateral shields+2 coverf shields (snap on)	0.13	1 set
1.001.204	A1026421	end shielding for total length 350mm	0.08	1 set
1.001.390	J1026429	end shielding for total length 255mm	0.07	1 set



1.001.729



1.001.386



1.001.387

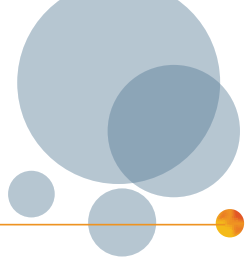
Cover shields for MULTIBLOC® and MULTIVERT® for supporting edge 70 mm

Catalog number	Reference number	Design	Weight kg ¹⁾	Package
1.001.200	W1026417	cover shield for MULTIBLOC® size 00, for total length 350mm, 1 set = top cover shield + bottom cover shield	0.07	1 set
1.001.388	G1026427	cover shield for MULTIBLOC® size 00, for total length 255mm, 1 set = top cover shield + bottom cover shield	0.04	1 set
1.001.201	X1026418	cover shield for MULTIBLOC® size 1, for total length 350mm, 1 set = top cover shield + bottom cover shield	0.11	1 set
1.001.389	H1026428	cover shield for MULTIBLOC® size 1, for total length 255mm, 1 set = top cover shield + bottom cover shield	0.05	1 set
1.001.202	Y1026419	cover shield for MULTIBLOC® size 2, for total length 350mm, 1 set = top cover shield + bottom cover shield	0.12	1 set
1.001.203	Z1026420	cover shield for MULTIVERT® 160 A triple pole switching, for total length 350 mm, 1 set = top cover shield + bottom cover shield	0.05	1 set



1.001.203

1) weight in kg per piece or set including package



Product range



1.001.209

Cover shields for MULTIBLOC® and MULTIVERT® for supporting edge 90 mm

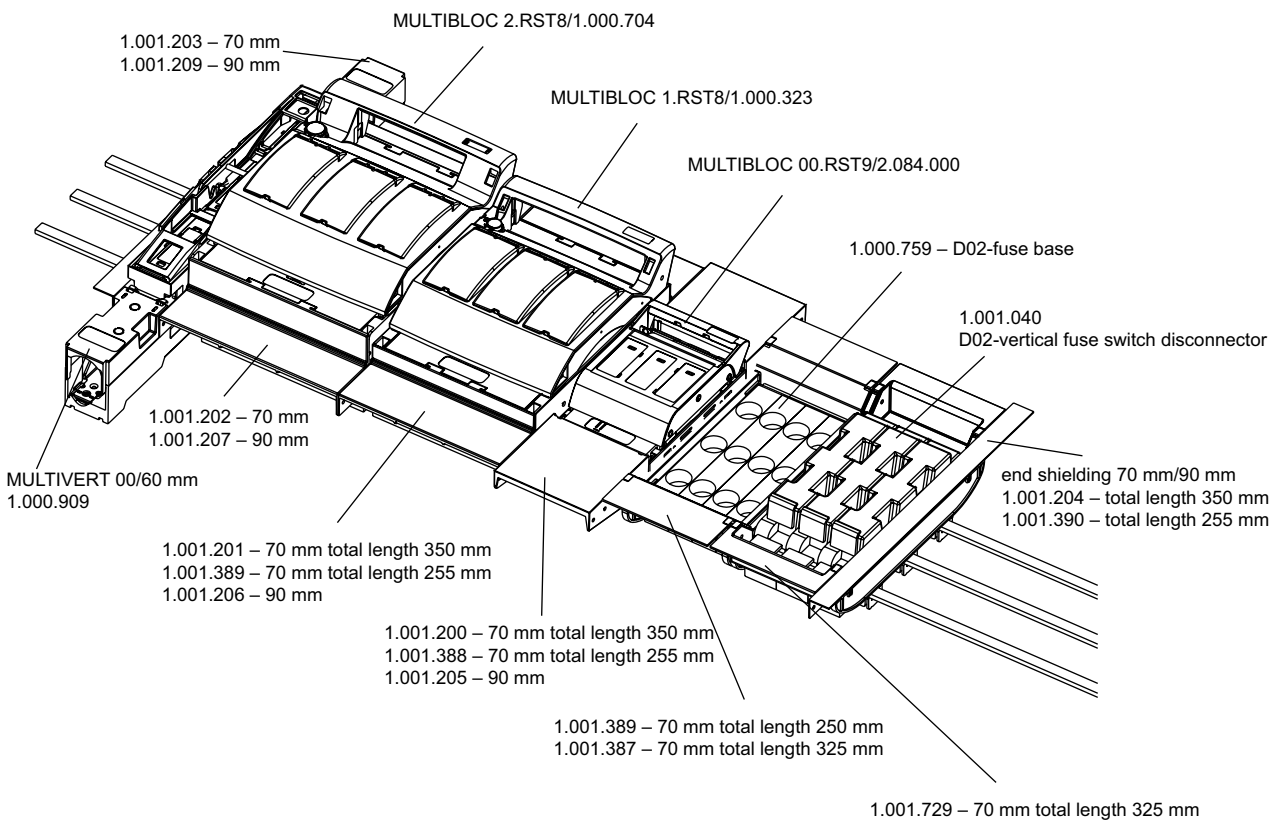
Catalog number	Reference number	Design	Weight kg ¹⁾	Package
1.001.205	B1026422	cover shield for MULTIBLOC® size 00, for total length 350mm, 1 set = top cover shield + bottom cover shield	0.08	1 set
1.001.206	C1026423	cover shield for MULTIBLOC® size 1, for total length 350mm, 1 set = top cover shield + bottom cover shield	0.11	1 set
1.001.207	E1026425	cover shield for MULTIBLOC® size 2, for total length 350mm, 1 set = top cover shield + bottom cover shield	0.12	1 set
1.001.208	D1026424	cover shield for MULTIBLOC® size 3, for total length 350mm, 1 set = top cover shield + bottom cover shield	0.12	1 set
1.001.209	F1026426	cover shield for MULTIVERT® 160 A triple pole switching, for total length 350 mm, 1 set = top cover shield + bottom cover shield	0.05	1 set

Dimensions

Patented cover shielding system

Touch protection for supporting height 70mm or 90mm

supporting height = distance between upper edge of bus bar and supporting edge (E 1.000.713)



Dimensions in mm

1) weight in kg per piece or set including package