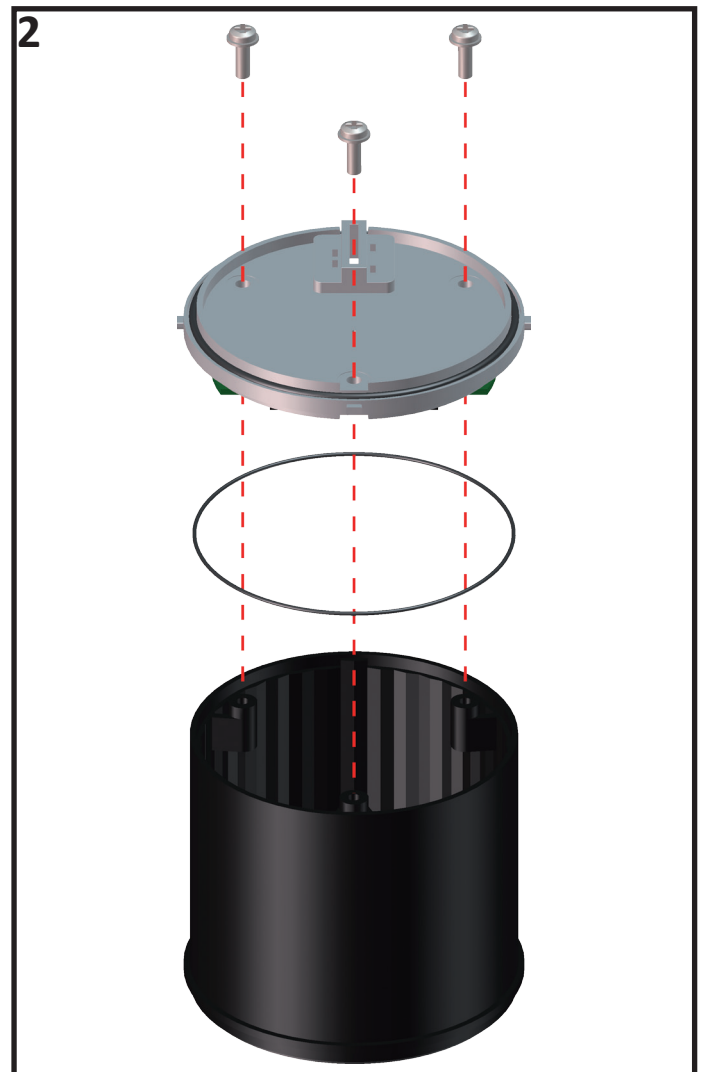
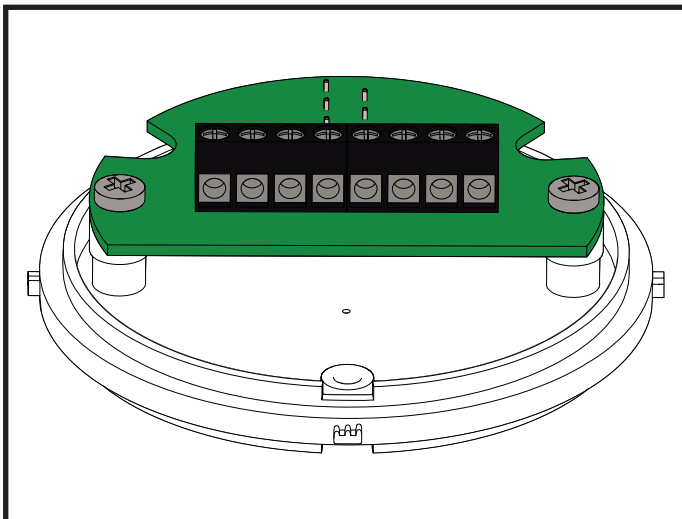
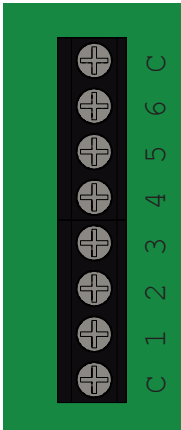


SA Series Stacking Beacons

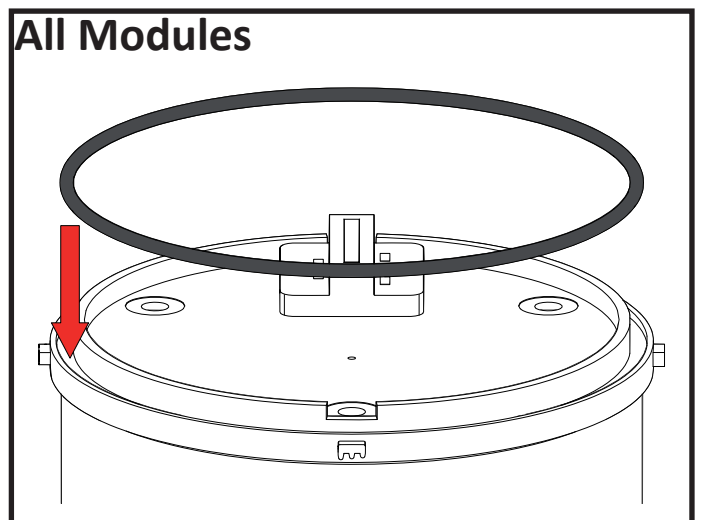
BCSA Wiring



1

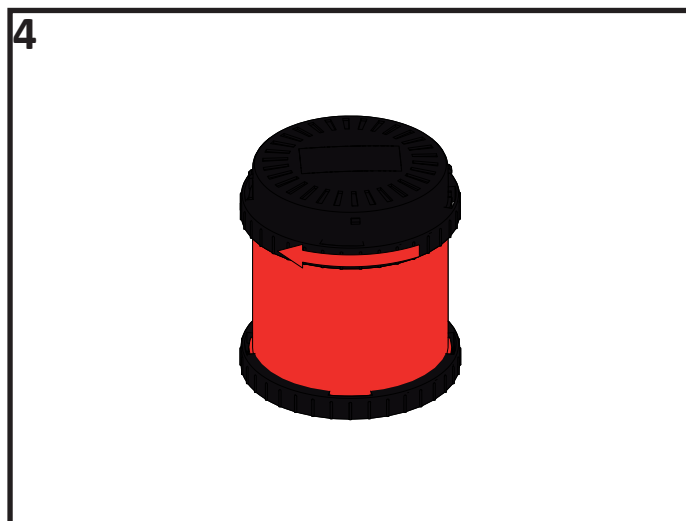
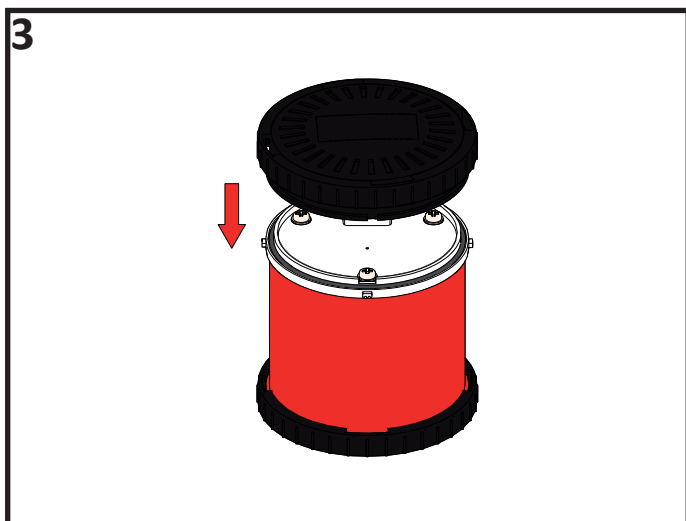
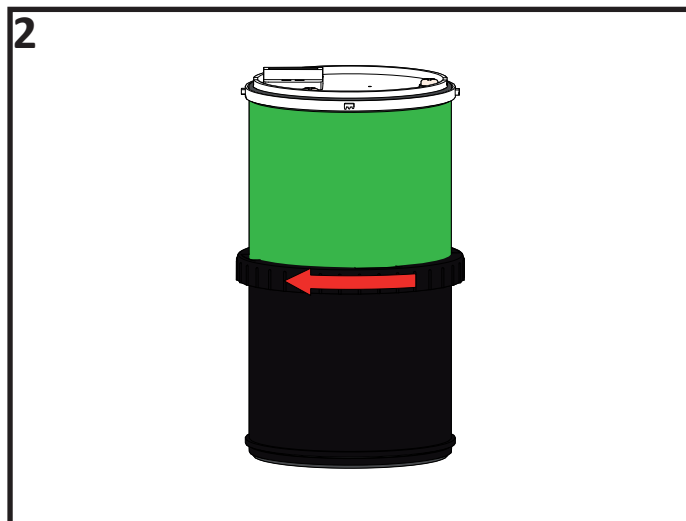
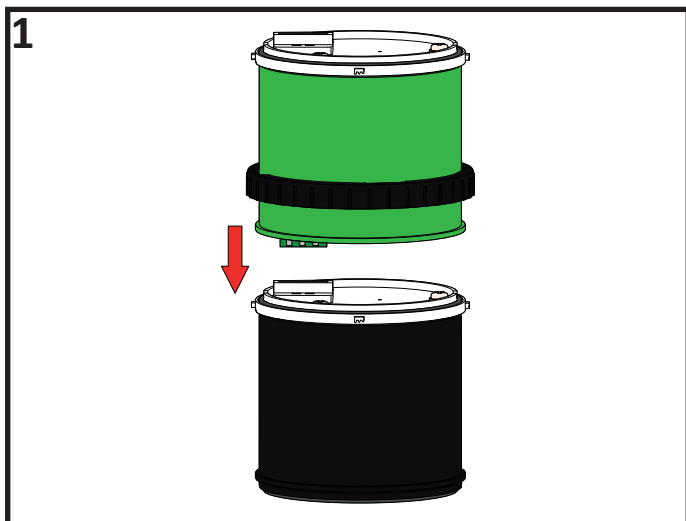


Common	0V / N
6th Module	+ve / P
5th Module	+ve / P
4th Module	+ve / P
3rd Module	+ve / P
2nd Module	+ve / P
Bottom Module	+ve / P
Common	0V / N

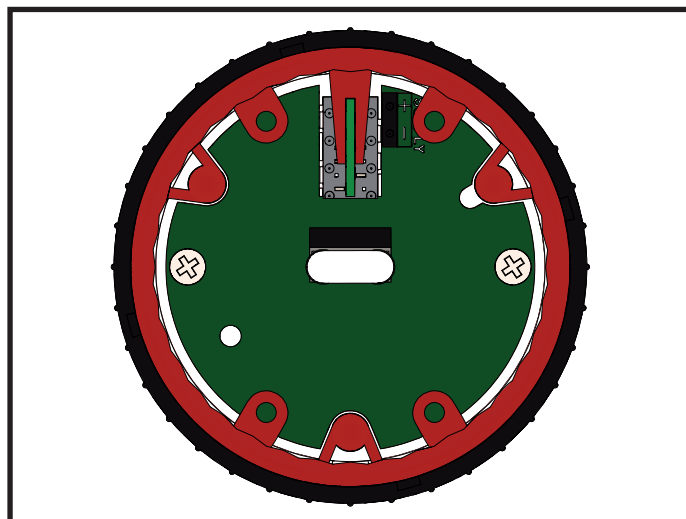
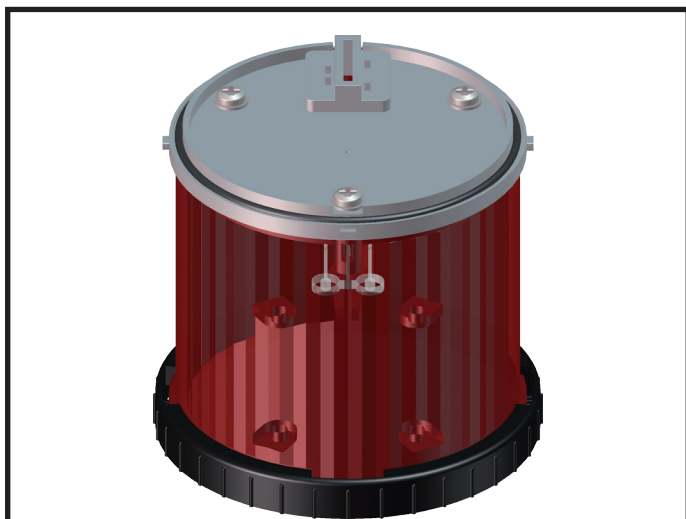


SA Series Stacking Beacons

General Assembly

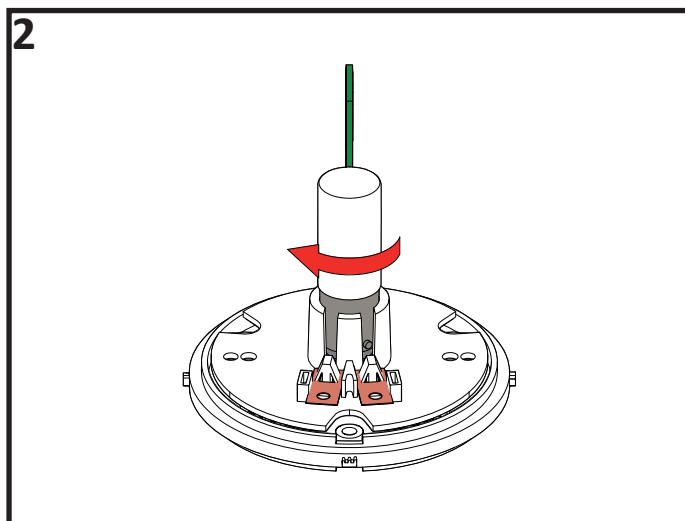
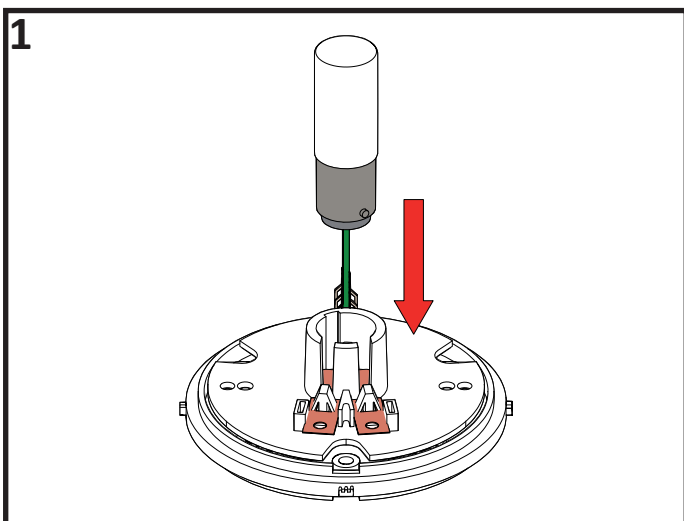
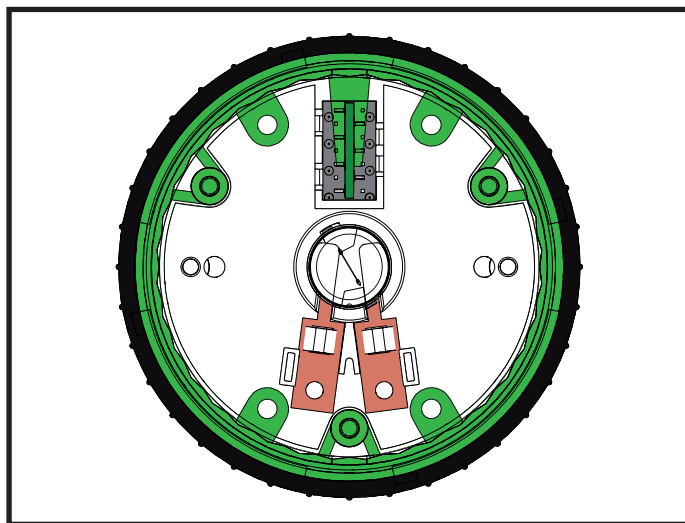
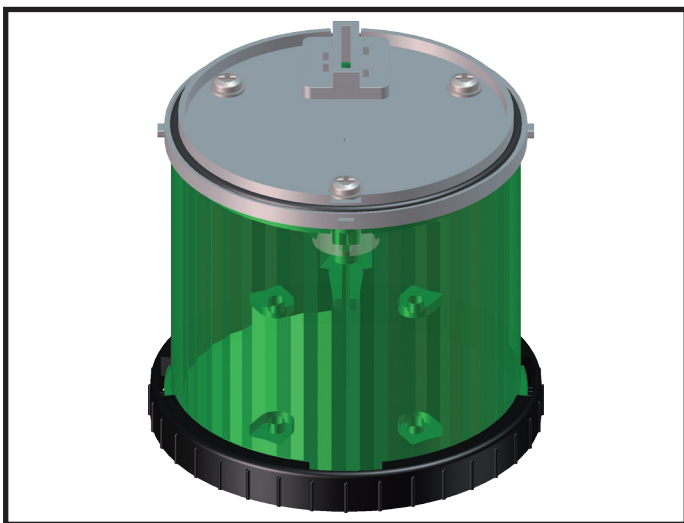


XSA Xenon Strobe Module

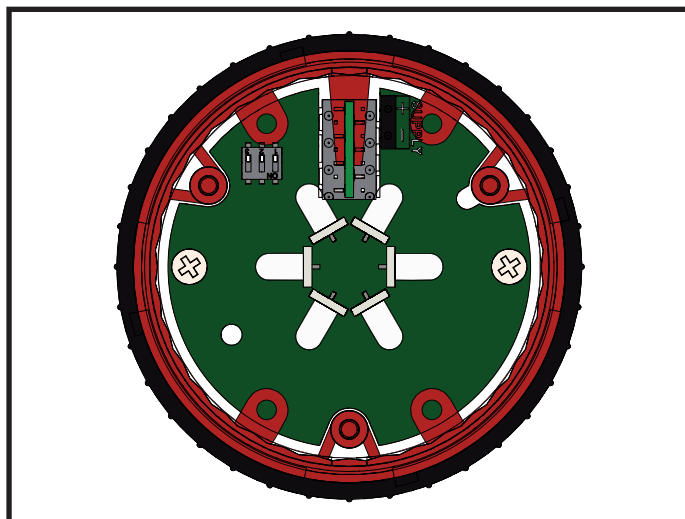
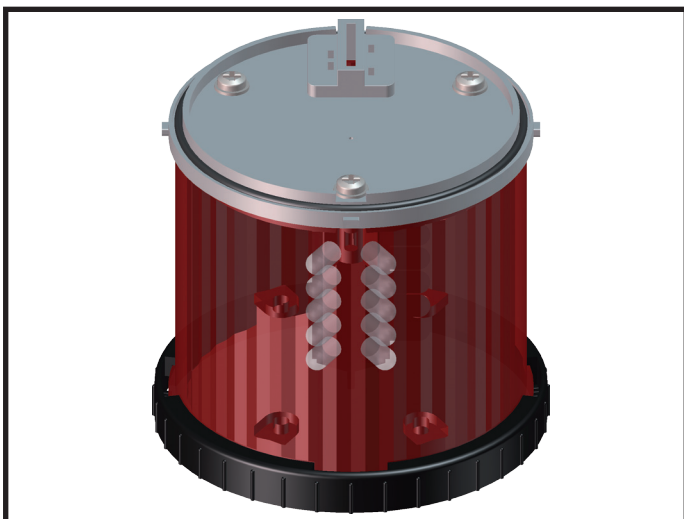


SA Series Stacking Beacons

SSA/B15d & PSA/B15d Filament Lamp Module

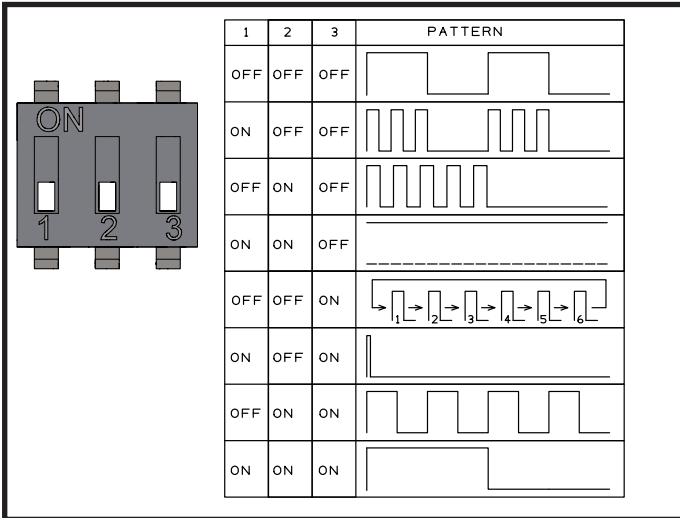


PSA/LED Module



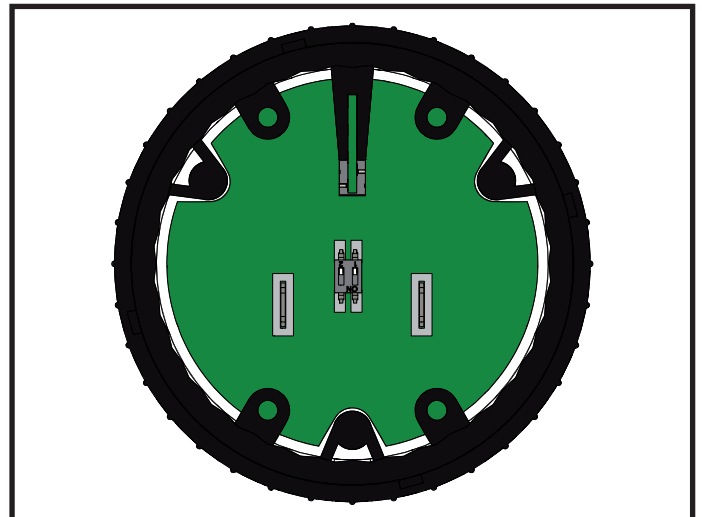
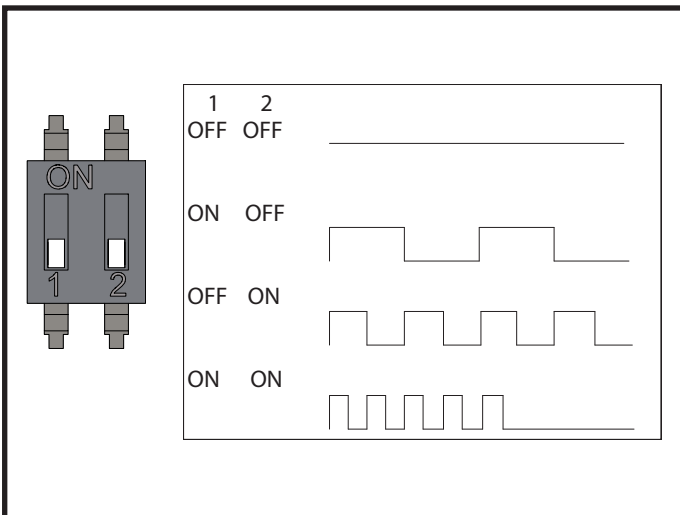
SA Series Stacking Beacons

PSA/LED Module



1	2	3	PATTERN
OFF	OFF	OFF	[Timing diagram: single pulse]
ON	OFF	OFF	[Timing diagram: double pulse]
OFF	ON	OFF	[Timing diagram: triple pulse]
ON	ON	OFF	[Timing diagram: four pulses]
OFF	OFF	ON	[Timing diagram: sequence of 6 pulses labeled 1-6]
ON	OFF	ON	[Timing diagram: double pulse]
OFF	ON	ON	[Timing diagram: triple pulse]
ON	ON	ON	[Timing diagram: four pulses]

ASA Sounder Module

1	2	PATTERN
OFF	OFF	[Timing diagram: no sound]
ON	OFF	[Timing diagram: single pulse]
OFF	ON	[Timing diagram: double pulse]
ON	ON	[Timing diagram: triple pulse]