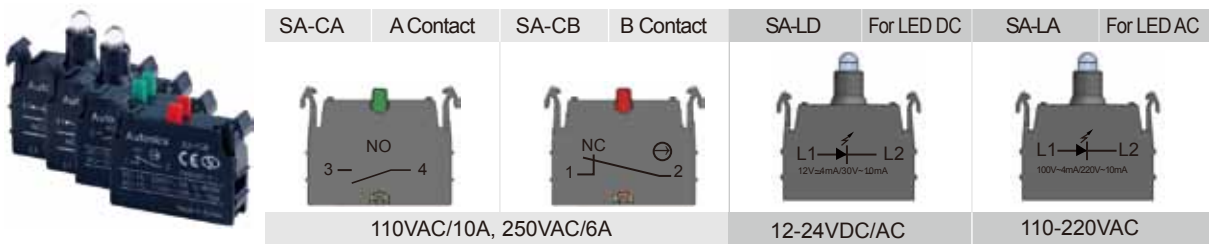


● **Switch Contact Blocks**

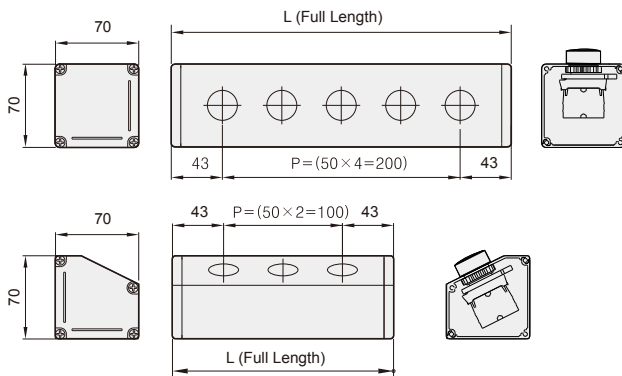
SA ①	-	CA ②	
Classification	Ordering Information		Description
Model	①	- ②	Switches Accessories
Contact /LED Block	SA		A Contact (Normal open)
		CA	B Contact (Normal close)
		LD	LED Block (12-24VDC/AC)
		LA	LED Block (110-220VAC 50/60HZ)



● **Switch Boxes**

SA ①	-	SB ②	1 ③	
Classification	Ordering Information			Description
Model	①	- ②	③	Switches accessories
Appearance		SB		Square boxes (Square type)
		TB		Triangle boxes
Number of Holes			1	1 hole (Length : L=86mm)
			2	2 hole (Length : L=136mm)
			3	3 hole (Length : L=186mm)
			4	4 hole (Length : L=236mm)
			5	5 hole (Length : L=286mm)

※ The number of holes and box length can be customized

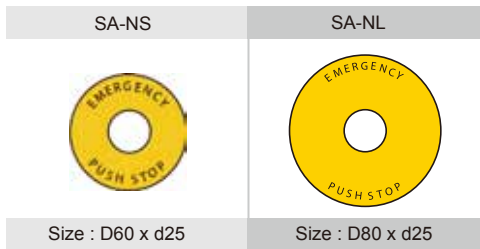


Dimensions (Unit : mm)
Mounting hole layout Ø22.5/25.5



● Emergency Switch Nameplates

SA ①	-	NS ②		
Classification		Ordering Information		Description
Model	SA			
Appearance		NS		
		NL		Nameplate large size



Panel mounting hole layout

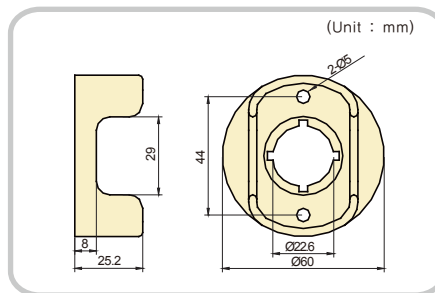
It is recommended to leave the interval of 50 mm between each panel hole. In case of S2RE-E5R, leave the interval of 60mm or more.

(Unit : mm)

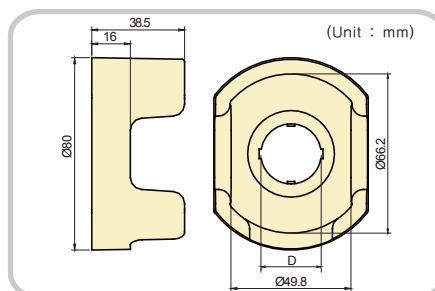
● Emergency Switch Protective Shrouds

SA ①	-	EG ②	1 ③		
Classification		Ordering Information			Description
Model	SA				
Appearance		EG			
Dimension			1		Ø22, SMALL
			2		Ø22, LARGE
			3		Ø25, LARGE

• Dimensions for small type



• Dimensions for large type



D Part Dimension	
SA-EG2	Ø22.5
SA-EG3	Ø25.5

Push Button Switches

Push Button Switches (Illuminated)

Selector Switches

Double Push Button Switches

Start Push Button Switches

Emergency Switches

Emergency Switches (Illuminated)

Pilot Lamps

Accessories

Magnetic Buzzers

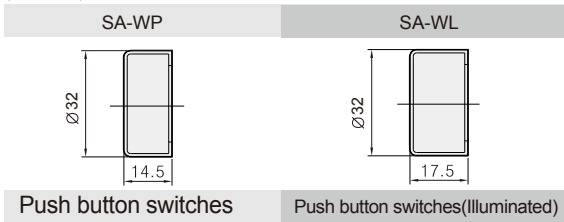
Piezo Buzzers

Sockets

● **Water Proof Cap**

SA	-	WP	
①		②	
Classification	Ordering Information		Description
Model	①	- ②	Switch accessories
Appearance	SA	WP WL	For push button For illuminated push button

(Unit : mm)



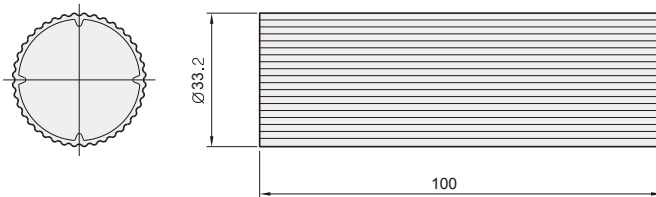
※ For Non-flush \varnothing 22/25 Non-flush switches



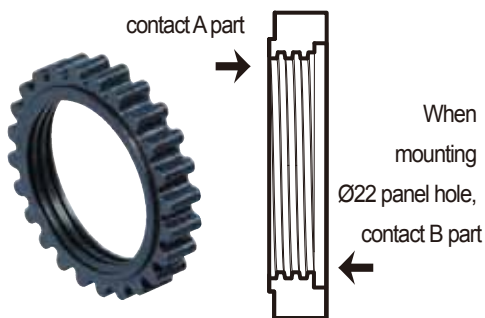
● **Locking Handle for Switches**

SA	-	LH	
①		②	
Classification	Ordering Information		Description
Model	①	- ②	Switch accessories
Appearance	SA	LH	Locking ring wrench (Locking handle)

(Unit : mm)



When mounting \varnothing 25 panel hole,



When mounting \varnothing 22 panel hole, contact B part

● **Guideline for mounting switch nut**

Available for \varnothing 22/25 flush push buttons. When mounting \varnothing 25 panel hole, contact A part with switch nut . When mounting \varnothing 22 panel hole, contact B part with switch nut