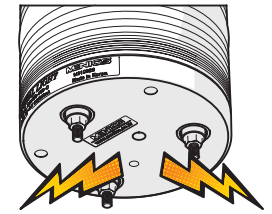


MS115T Series Multi-functional D115mm LED Steady/Flashing/Rotating Signal Lights



LED Strobe Light of High Brightness, Excellent Visibility from a Distance. Improving Visibility by Employing Special Scattering Lens.



Min10 ~Max 100dB at 1m (Adjustable volume)

- Extremely high light output using unique LED technology
- Wide light distribution with prism-cut dome-shaped lens
- Outstanding visibility at distance
- Flashing Cycles: 2 patterns (Selectable by a switch)
- Adjustable flashing or rotating cycles
- Built-in buzzer (adjustable volume)
- Red, Yellow, Green, Blue and Clear lens available

Ordering Information

MS115T - F 0 0 - R - L

① ② ③ ④

1. Light Style

F	LED Lights + Flashing
R	LED Lights + Flashing + Rotating
B	LED Lights + Flashing + Rotating + Buzzer

2. Power Supply

00	12~24V AC/DC
FF	90 ~ 240V AC

3. Lens Colors

R	Red	G	Green	C	Clear
Y	Yellow	B	Blue		

4. Base Body Style

	20mm Base Body	L	40mm Base Body
--	----------------	----------	----------------



Steady light



Flashing light-1

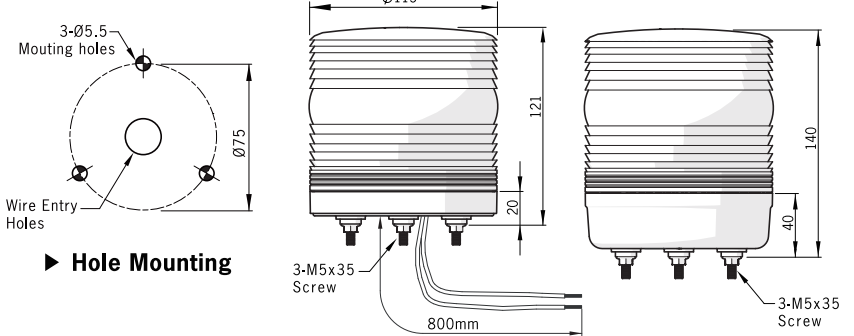


Flashing light-2



Rotating light

Dimensions (unit: mm)



► Hole Mounting

Specifications

Operation/Function	Steady, Flashing, Rotating, Buzzer	
Power Supply	- AC/DC 12~24V - AC 90~240V	
Lens Diameter	115 mm	
Lens Materials	PC resin	Body Materials: ABS resin
Buzzer Sound Level	10 ~ 100 ±5 dB (at 1m) volume adjustable	
Flashing Rate (Internal PCB board is dip switch controls)	F1: 80 ±5 flashes per minute F3: Continuous 4 flashes - 80 ±5 flashes per minute (Emergency Signal Lights)	
Rotating Rate	Min 60 ~ Max 300 rpm (Clockwise rotation)	
Feature set	Lead wire Connection	
Insulation Resistance	100 MΩ minimum (500V DC megger)	
Ambient Temperature	-20°C~40°C (no freezing)	
Storage Temperature	-40°C ~ 70°C (no freezing)	
Ambient Humidity	45~85% RH (no condensation)	
Degree of Protection	IP65	Vibration
Approvals	RoHS	0.75mm at 10~55Hz
Recommended Wire Size	1007 UL / 22AWG	
Weight	Approx. 360g	

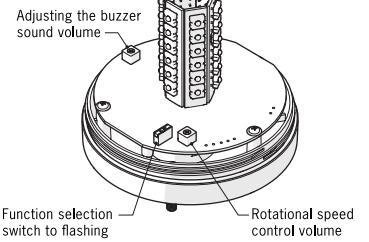
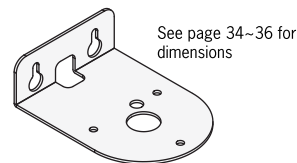
Note: Life of the LED varies according to operating conditions and environment.

Current Draw (Steady standards and current value)

Power Supply	Red / Yellow	Green/Blue/Clear	Buzzer
DC 12V	280mA	260mA	150mA
DC 24V	200mA	180mA	(Instantaneous inrush current: 300mA)
AC 90~240V	30~50mA		

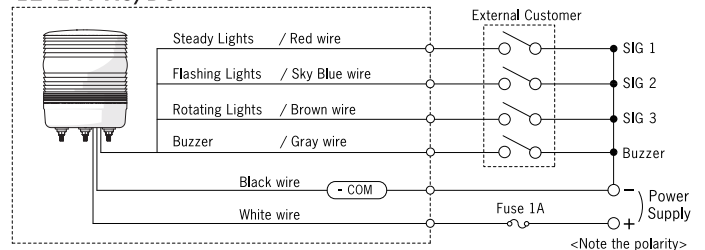
Accessories

► Wall mount bracket (MAM-DS29) Material: Steel

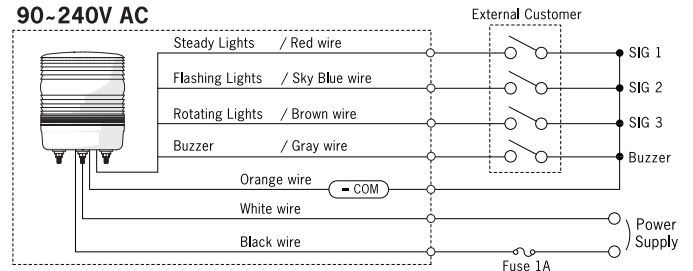


Wiring Diagram

12-24V AC/DC



90-240V AC



Extremely high light output using unique LED technology