

# MULTIVERT® 160A

Size 00, 690VAC, Triple Pole Switching

## NH Vertical Fuse Switch Disconnecter

MULTIVERT® NH vertical fuse switch disconnectors meet all functions of NH fuse switch disconnectors. They are designed for installation on to bus bars in triple pole arrangements.

MULTIVERT® 160A triple pole switching are for installation on to 100 mm and 185 mm bus bar systems.

MULTIVERT® 160A are designed for NH fuse-links in accordance with IEC/EN 60269-2, VDE 0636-2, size 00: 160A.

The system is a modular system, that allows the installation of individual components. MULTIVERT® offer the user the possibility of fast and easy installation as well as a high degree of protection during installation and maintenance.

### Features Benefits

- Installation on to 100 and 185 mm bus bar system
- Symmetrical switch - top/bottom cable terminal connection
- Touch protection IP 30 with central cover
- Parking position of switch operating cover even with fuse-links inserted
- Varieties of cable termination: screw, clamp strap, AlCu clamp, frame clamp, V-terminal
- Electronic fuse monitoring or indicator for switch door position - optional

### Applications

- House incoming units
- Meter distribution units
- Switch boards for industrial applications
- Residential and industrial distribution units
- Cable distribution cabinets
- Feeder pillars

### Technical data overview

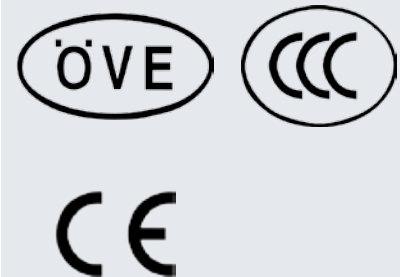
Volt (VAC)	690 VAC
Amper (A)	160 A
Size per Standard	00
Mounting	bus bar system 100 mm and 185 mm
SCCR	Ue = AC 400 V; Ie = 160 A 80kA Ue = AC 500 V; Ie = 160 A 80kA Ue = AC 690 V; Ie = 100 A 50kA
Number of Poles	3
Switchability	1 x triple pole



### Standards

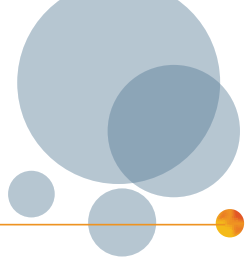
IEC/EN 60 947-3

For NH-fuse links size 000/00 in accordance with IEC/EN 60 269-2, VDE 0636-2



# MULTIVERT® 160A

Size 00, 690VAC, Triple Pole Switching



## Product range

### MULTIVERT® 160 A size 00 100 mm bus bar system 1 x triple pole switching

Catalog number	Reference number	Cable termination components	Design	Weight kg <sup>1)</sup>	Package
1.000.900	F1002184	3 M8 terminal screws	with cover shroud MZ00KH	1.12	1 piece
1.000.901	X1023129	3 clamp straps Cu 4-70 mm <sup>2</sup>	with cover shroud MZ00KH	1.12	1 piece
1.000.902	Z1023131	3 Al/Cu clamps 1,5-70 mm <sup>2</sup>	with cover shroud MZ00KH	1.12	1 piece
1.000.903	A1023132	with V-terminal für V-terminal clamps size 00	with cover shroud 1.000.915	1.12	1 piece
1.000.904	B1023133	3 frame clamps Cu 2,5-70 mm <sup>2</sup>	with cover shroud MZ00KH	1.10	1 piece
1.000.905	G1002185	3 M8 terminal screws	MULTIVERT® 1.000.900 with cabling of instrument leads	1.47	1 piece
1.000.906	C1023134	3 clamp straps Cu 4-70 mm <sup>2</sup>	MULTIVERT® 1.000.901 with cabling of instrument leads	1.47	1 piece
1.000.907	D1023135	3 Al/Cu clamps 1,5-70 mm <sup>2</sup>	MULTIVERT® 1.000.902 with cabling of instrument leads	1.47	1 piece
1.000.908	E1023136	with V-terminal for V-terminals clamps size 00	MULTIVERT® 1.000.903 with cabling of instrument leads	1.47	1 piece
1.002.437	Y1023130	3 frame clamps Cu 2,5-70 mm <sup>2</sup>	MULTIVERT® 1.000.904 with cabling of instrument leads	1.18	1 piece



1.000.900 1.000.903



1.000.905



1.002.437 rear

### MULTIVERT® 160 A size 00 185 mm bus bar system 1 x triple pole switching

Catalog number	Reference number	Cable termination components	Design	Weight kg <sup>1)</sup>	Package
1.001.339	Y1023153	3 M8 terminal screws	including adjustment cover art.no. MZ00AAD and adapter 1.001.298	1.80	1 piece

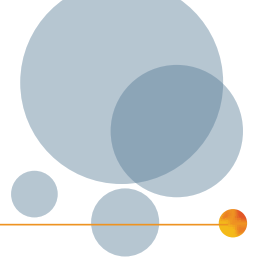


1.001.339

1) weight in kg per piece or set including package

# MULTIVERT® 160A

Size 00, 690VAC, Triple Pole Switching



## Technical data in accordance with EN / IEC 60947

	160 A, 100 mm 1 x triple pole switching	160 A, 185 mm 1 x triple pole switching
Installation mode	bus bar installation	bus bar installation
Size	00	00
Number of poles/phases	3	3
Conventional free air thermal current with NH-fuse links $I_{th}$	160 A	160 A
Max. power dissipation of fuse links $P_n$	12 W	12 W
Conventional free air thermal current with solid links $I_{th}$	250 A	250 A
Max. power dissipation of solid links $P_n$	1,2 W	1,2 W
Utilization category to IEC/EN 60947-3 $U_e = AC 400 V; I_e = 160 A$ $U_e = AC 500 V; I_e = 160 A$ $U_e = AC 690 V; I_e = 100 A$	AC 23 B AC 22 B AC 21 B	AC 23 B AC 22 B AC 21 B
Rated operational voltage $U_e$	690 V	690 V
Rated insulation voltage $U_i$	1000 V	1000 V
Rated impulse withstand voltage $U_{imp}$	8 kV	8 kV
Rated frequency	50 ... 60 Hz	50 ... 60 Hz
Degree of protection	IP 0	IP 0
Degree of pollution	3	3
Rated duty	uninterrupted duty	uninterrupted duty
Rated short circuit making capacity with solid links $I_{cm}$	4.5 kAsw	4.5 kAsw
Rated short circuit making capacity with fuse links $U_e = AC 400 V; I_e = 160 A$ $U_e = AC 500 V; I_e = 160 A$ $U_e = AC 690 V; I_e = 100 A$	80 kA 80 kA 50 kA	80 kA 80 kA 50 kA
Rated short circuit withstand current $I_{cw}$	4.5 kA / 1 s	4.5 kA / 1 s
Power dissipation by $I_{th}$ without NH-fuse links	20 W	20 W
Power dissipation by $I_{th}$ without solid links	49 W	49 W

### Cable terminal connection

Standard cable terminal	M8	M8
for cable lugs Cu max.	70 mm <sup>2</sup>	70 mm <sup>2</sup>
for cable lugs Al max.	70 mm <sup>2</sup>	70 mm <sup>2</sup>
for copper bars with max. dimensions	20 x 5 mm	20 x 5 mm
V-shaped lugs for V-terminal clamps	10 - 95 mm <sup>2</sup>	10 - 95 mm <sup>2</sup>

### Bus bar terminal connection

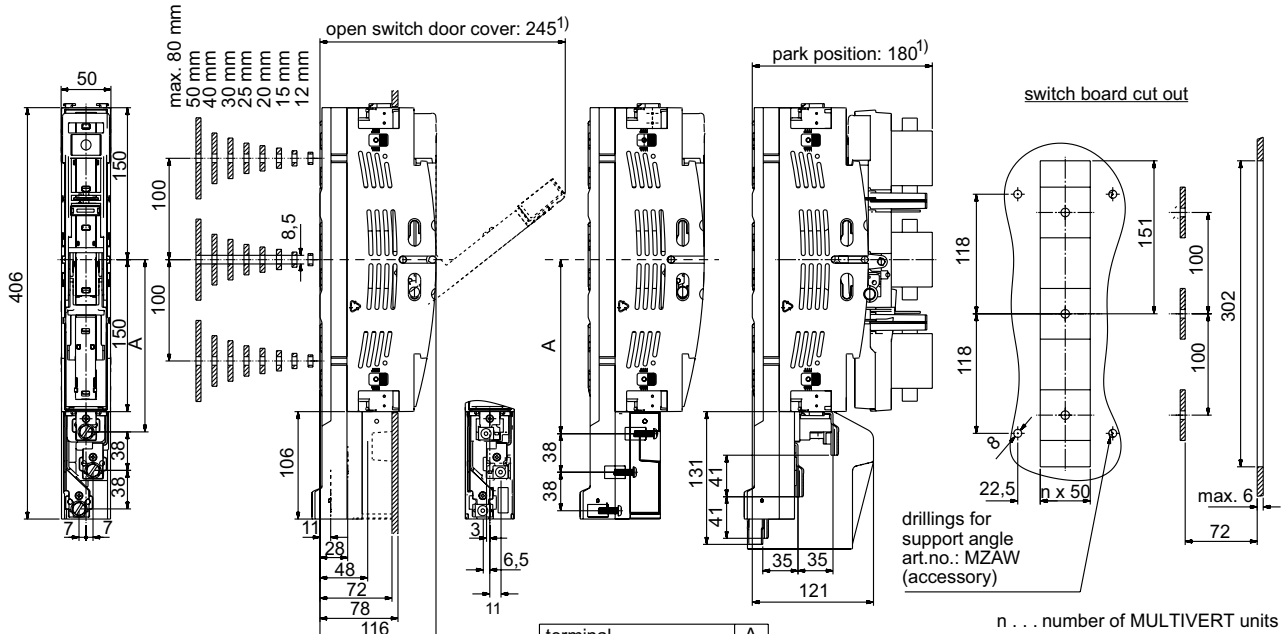
Standard bus bar terminal	M8	clamp terminal via adapter
Hooked clamp for bus bar with thickness	5 ... 10 mm	5 ... 10 mm
Bus bar system	100 mm	185 mm

# MULTIVERT® 160A

Size 00, 690VAC, Triple Pole Switching

## Dimensions

MULTIVERT® NH-vertical fuse switch disconnecter 160A/100mm  
 direct installation with screws on to 100mm bus bar system (M01137c)



1) dimensions from upper edge of bus bar

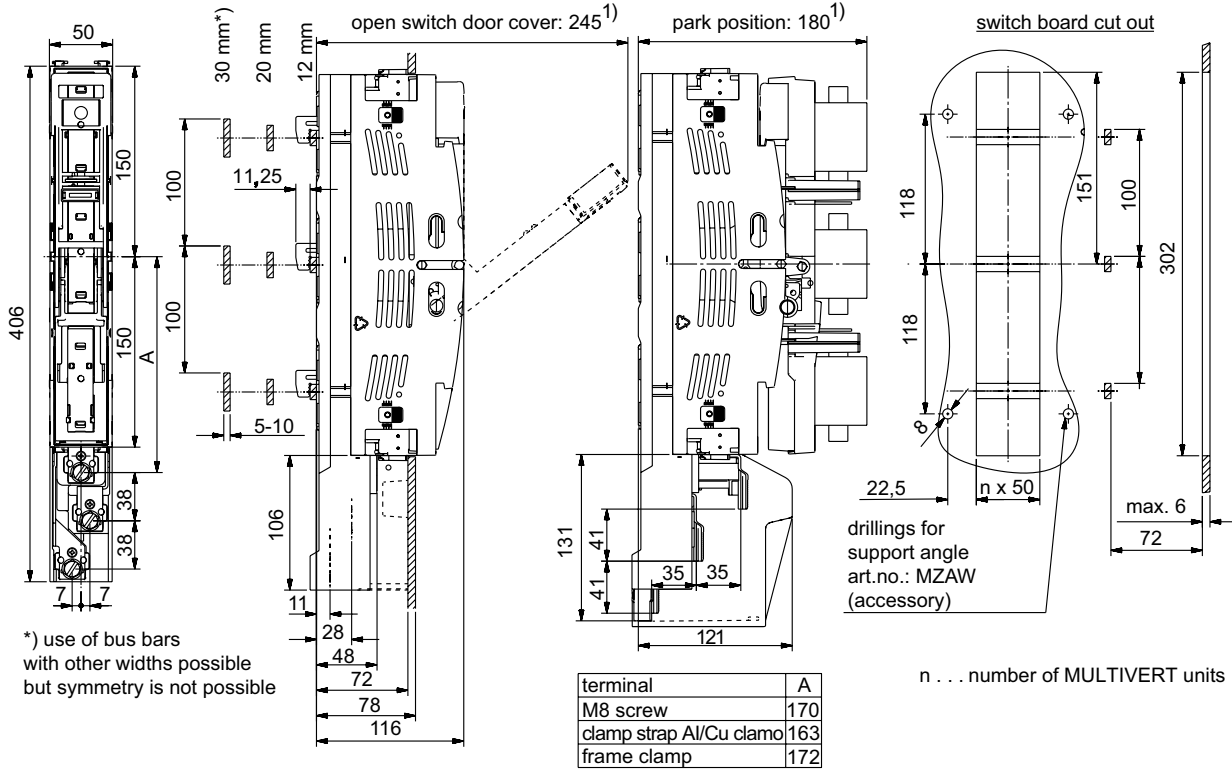
Dimensions in mm

# MULTIVERT® 160A

Size 00, 690VAC, Triple Pole Switching

## Dimensions

MULTIVERT® NH-vertical fuse switch disconnecter 160A/100mm direct installation without drilling with hooked clamps on to 100mm bus bar system (M01138c)

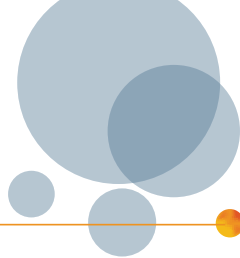


1) dimensions from upper edge of bus bar

Dimensions in mm

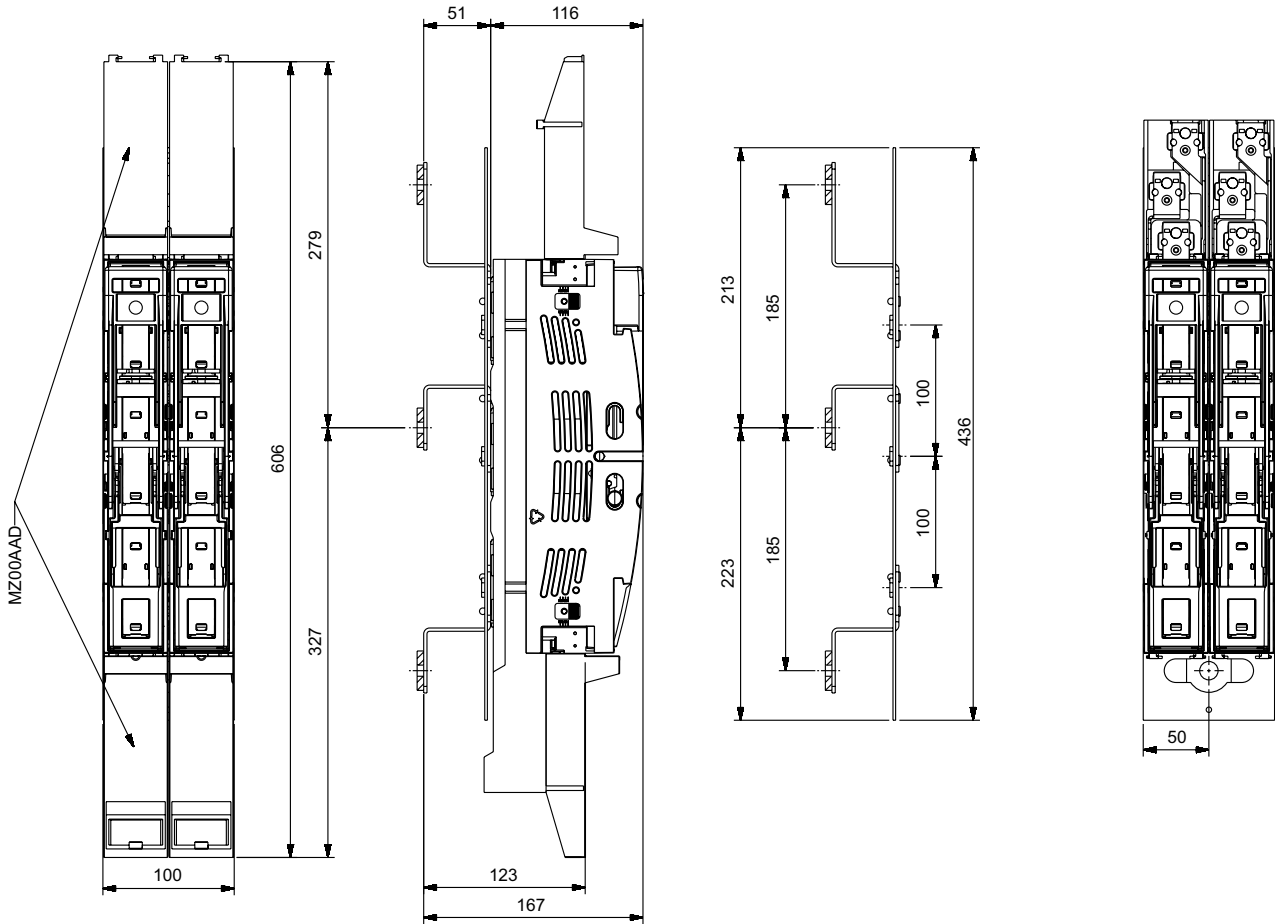
# MULTIVERT® 160A

Size 00, 690VAC, Triple Pole Switching



## Dimensions

MULTIVERT® 160A/100mm NH-vertical fuse switch disconnecter direct installation without drilling including adapter with hooked clamps for installation on to 185mm bus bar system (M01146)



Dimensions in mm

# MULTIVERT® 160A

Size 00, 690VAC, Triple Pole Switching

## Dimensions

### Cable termination MULTIVERT® 160A (MA107d)

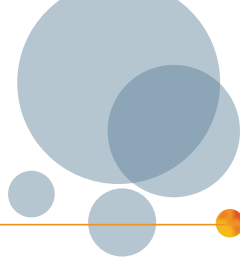
reference	N	S	A	V	R	K
article number	00SZS	00ZESK	00SA70	00SZVK1 ((accessory))	*	1.003.433
type of terminal	screw	clamp strap	Al/Cu clamp	V-clamp	frame clamp	clamping block
cross section	Cu 16-17	Cu 4-70	Cu 1,5-70	Cu 10-50	Cu 2,5-70	Cu 1,5-16
[mm <sup>2</sup> ]	Al 16-95	-	Al 1,5-70/95 se	Al 35-70/95 se	-	-
M [Nm]	15-17	3-4	3-4	5-6	6	3,4

\*) installed on to MULTIVERT 160A, 1x triple pole switching  
 art. no. 1.000.904 (for 100mm bus bar system) and art. no. 1.002.489 (for 60mm bus bar system)

Dimensions in mm

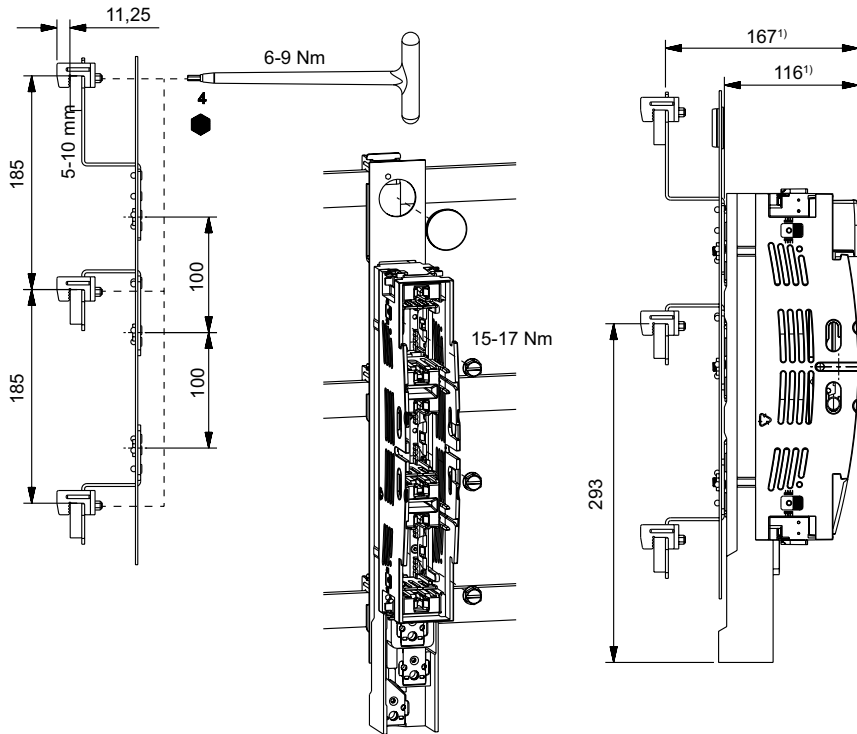
# MULTIVERT® 160A

Size 00, 690VAC, Triple Pole Switching

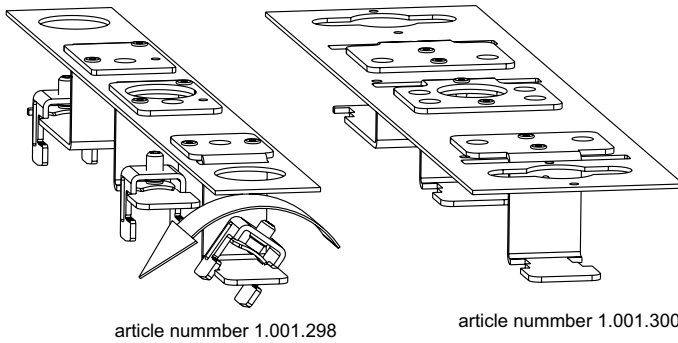


## Dimensions

Adapter size 00 for direct installation without drilling on to 185mm bus bar system (MA112b)



1) dimensions from upper edge of bus bar

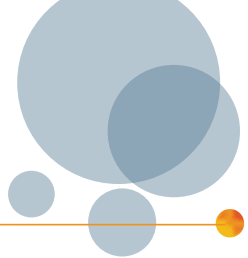


Dimensions in mm



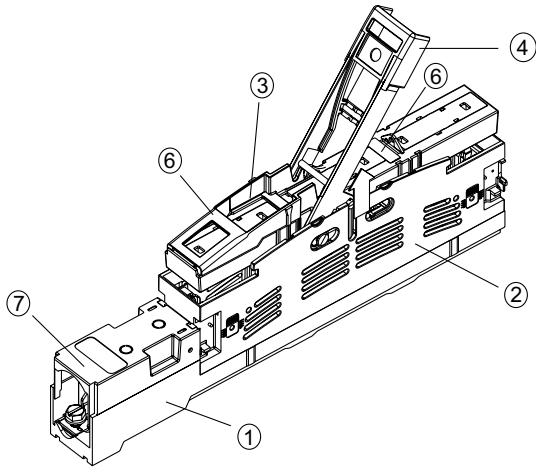
# MULTIVERT® 160A

Size 00, 690VAC, Triple Pole Switching



## Exploded sketch

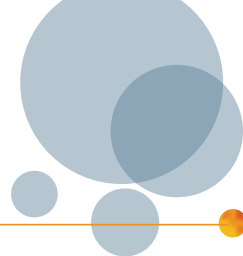
MULTIVERT® 160A 1x triple pole switching (E 1.000.857)



no.	articlenumber	short description
1		Main base
2		Protection cover
3		Switch operating cover
4		Handle
5		-
6		Labelling area/label
7	MZ00KH	Cover shroud 106mm

# MULTIVERT® 160A

Size 00, 690VAC, Triple Pole Switching



## Accessories



MZ00KH



MZ00KA



1.000.915



1.000.914

### Cover/shrouds for cable termination

Catalog number	Reference number	Design	Weight kg <sup>1)</sup>	Package
MZ00KH	F1023298	cover shroud length 106 mm for MULTIVERT®/BSL 160 A	0.02	1 piece
MZ00KA	L1023464	extended cover shroud for cover shroud MZ00KH	0.04	1 piece
1.000.915	H1023300	cover shroud for MULTIVERT®/BSL 160 A with V-terminal	0.05	1 piece
1.000.914	E1023274	rear cover for MULTIVERT®/BSL 160 A with V-terminal	0.004	1 piece



MZ00AAD

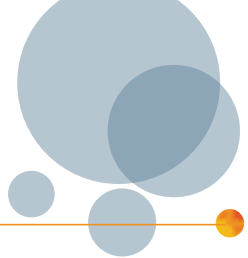


MZAW

### Covers/level & system adjustment covers

Catalog number	Reference number	Design	Weight kg <sup>1)</sup>	Package
MZ00AAD	X214081	2 piece adjustment, with integrated area for labeling to adapt to MULTIVERT® for 185 mm bus bar system	0.10	1 set
MZAW	D218687	support angle for support of cover plate 1 set = 4 pieces	0.03	1 set

1) weight in kg per piece or set including package



## Accessories



### Covers/spare way covers

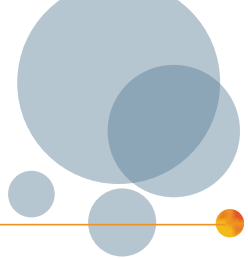
Catalog number	Reference number	Design	Appli- cation	Weight kg <sup>1)</sup>	Package
MZ00LPAP	B1023409	spare way cover without level adjustment width 50 mm, length 320 mm for single adapter MZ00ESA and double adapter MZ00DSA including fixing material	bus bar system 100 mm	0.05	1 piece
MZ01LPAP	C1023410	spare way cover without level adjustment width 50 mm, length 500 mm including fixing material	bus bar system 185 mm	0.06	1 piece
1.002.493	N1002283	spare way cover width 50 mm, length 630 mm for covering of open installation spaces in distribution units with central cover	bus bar system 185 mm	0.13	1 piece
1.002.830	E1023412	spare way cover width 50 mm, length 630 mm with level adjustment 123 mm for bus bar installation, set = cover + fixing set (2 distance pieces, 2 screw rivets)	bus bar system 185 mm	0.20	1 set



### Installation devices/bus bar installation

Catalog number	Reference number	Design	Weight kg <sup>1)</sup>	Package
00SZRK3	K215105	hooked clamp size 00, M = 5 Nm 1 set = 3 pieces	0.10	1 set
1.002.646	W1023450	M10 insert nut, size 00 1 set = 30 pieces	0.12	1 set

1) weight in kg per piece or set including package



## Accessories



1.001.289 1.001.298

### Adapter für installation on to bus bars with clamp terminal

Catalog number	Reference number	Design	Application	Weight kg <sup>1)</sup>	Package
1.001.289	C1023295	single adapter 100/185 mm with increased touch protection to obtain uniform profile in height for combined installation with MULTIVERT 250 A, 400 A, 630 A	MULTIVERT® 160 A/100 mm 1x3-pole	0.56	1 piece
1.001.298	Y1023291	double adapter 100/185 mm with increased touch protection to obtain uniform profile in height for combined installation with MULTIVERT 250 A, 400 A, 630 A	MULTIVERT® 160 A/100 mm 1x3-pole	0.80	1 piece



MZ00DSA MZ00ESA MZ00ESAECO

### Adapter für installation on to bus bars with screw terminal

Catalog number	Reference number	Design	Application	Weight kg <sup>1)</sup>	Package
MZ00DSA	C217145	double adapter 100/185 mm with increased touch protection to obtain uniform profile in height for combined installation with MULTIVERT®/BSL 250 A, 400 A, 630 A	MULTIVERT® 160 A/100 mm 1x3-pole	0.85	1 piece
MZ00ESA	Q216628	single adapter 100/185 mm with increased touch protection to obtain uniform profile in height for combined installation with MULTIVERT®/BSL 250 A, 400 A, 630 A	MULTIVERT® 160 A/100 mm 1x3-pole	0.45	1 piece
MZ00ESAECO	D1023296	Einfachadapter 100/185 mm to obtain uniform profile in height for combined installation with MULTIVERT®/BSL 250 A, 400 A, 630 A	MULTIVERT® 160 A/100 mm 1x3-pole	0.19	1 piece

### Indication facilities



1.002.939 MZ00ESM



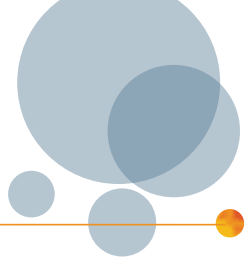
1.000.852

Catalog number	Reference number	Design	Weight kg <sup>1)</sup>	Package
1.002.939	Y1023452	electronic fuse monitoring ESÜ size 00 for MULTIVERT® 160 A with cabling of instrument leads	0.06	1 piece
MZ00ESM	D228761	Electronic System Monitor ESM size 00 for MULTIVERT® 160 A with cabling of instrument leads	0.35	1 piece
1.000.852	Q1002285	indicator for switch door position micro switch, 1 change-over contact 5 A, 250 V	0.00	1 piece

1) weight in kg per piece or set including package

# MULTIVERT® 160A

Size 00, 690VAC, Triple Pole Switching



## Accessories



1.000.106



1.000.107



1.000.100



1.000.101

### Amperemeter units

Catalog number	Reference number	Design	Weight kg <sup>1)</sup>	Package
1.000.106	R1023285	size 00, 100 A, with drag indicator, triple pole measurement (optional L1, L2, L3)	0.34	1 piece
1.000.107	S1023286	size 00, 150 A, with drag indicator, triple pole measurement (optional L1, L2, L3)	0.34	1 piece
1.000.100	K1023279	size 00, 100 A, with drag indicator, single pole measurement	0.34	1 piece
1.000.101	L1023280	size 00, 150 A, with drag indicator, single pole measurement	0.34	1 piece



1.000.119 +  
1.000.123

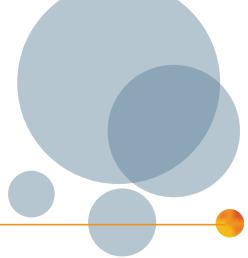


1.000.120 +  
1.000.124

### Current transformers in combination with adapter

Catalog number	Reference number	Design	Weight kg <sup>1)</sup>	Package
1.000.121	F1024609	current transformer for adapter for single pole measurement up to 100 A set = 1 piece current transformer + 3 pieces distance tubes art.no. 1.000.125 for level adjustment, 1 piece installed, 2 pieces additionally packed	0.51	1 set
1.000.123	H1024611	current transformer for adapter for single pole measurement up to 150 A set = 1 piece current transformer + 3 pieces distance tubes art.no. 1.000.125 for level adjustment, 1 piece installed, 2 pieces additionally packed	0.52	1 set
1.000.122	G1024610	current transformer for adapter for triple pole measurement up to 100 A set = 3 pieces current transformer with distance tubes art.no. 1.000.125 for level adjustment 3 pieces installed	0.78	1 set
1.000.124	J1024612	current transformer for adapter for triple pole measurement up to 150 A set = 3 pieces current transformer with distance tubes art.no. 1.000.125 for level adjustment 3 pieces installed	0.81	1 set
1.000.125	V1024599	distance tube for adapter for level adjustment supplementary set for neighbouring MULTIVERT® without measurement to obtain uniform profile in height 1 set = 3 pieces	0.37	1 set
1.000.117	R1023446	single adapter 100/185 mm for circuit transformer	0.34	1 piece
1.000.119	A1023293	double adapter 100/185 mm for circuit transformer	0.58	1 piece
1.000.120	B1023294	double adapter 185/185 mm for circuit transformer	0.56	1 piece

1) weight in kg per piece or set including package



## Accessories



MZ003SW100



SZ1SW150



MZ00PR150



MZ00EM



MZEGK



MZ00BT2

### Current transformers/external current transformers

Catalog number	Reference number	Design	Weight kg <sup>1)</sup>	Package
MZ001SW100	C1024606	current transformer up to 100 A for single pole measurement between bus bar and MULTIVERT® set = 1 piece current transformer + 3 pieces distance tubes for level adjustment, 1 piece installed in the current transformer, 2 pieces additionally packed	0.55	1 set
MZ001SW150	E1024608	current transformer up to 150 A for single pole measurement between bus bar and MULTIVERT® set = 1 piece current transformer + 3 pieces distance tubes for level adjustment, 1 piece installed in the current transformer, 2 pieces additionally packed	0.55	1 set
MZ003SW100	B1024605	current transformer up to 100 A for triple pole measurement between bus bar and MULTIVERT® set = 3 pieces current transformer with distance tubes for level adjustment, 3 pieces installed in the current transformer	1.84	1 set
MZ003SW150	D1024607	current transformer up to 150 A for triple pole measurement between bus bar and MULTIVERT® set = 3 pieces current transformer with distance tubes for level adjustment, 3 pieces installed in the current transformer	1.85	1 set
SZ1SW100	H1024565	current transformer up to 100 A for single pole measurement between bus bars (incoming and outgoing bar)	0.32	1 piece
SZ1SW150	J1024566	current transformer up to 150 A for single pole measurement between bus bars (incoming and outgoing bar)	0.33	1 piece
MZ00PR150	R1024596	distance tube for level adjustment, up to 150 A, supplementary set for neighbouring MULTIVERT® without measurement to obtain uniform profile in height 1 set = 3 pieces	0.40	1 set

### Earthing unit

Catalog number	Reference number	Design	Weight kg <sup>1)</sup>	Package
MZ00EM	X1024578	earthing link size 00	0.30	1 piece
MZEGK	V1024576	complete earthing unit including 3 pieces earthing links	5.40	1 piece

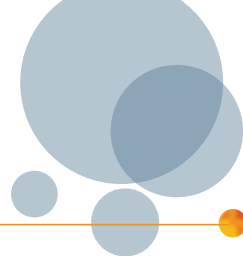
### Labelling facilities

Catalog number	Reference number	Design	Weight kg <sup>1)</sup>	Package
MZ00BT2	K215611	label holder size 00	0.01	1 piece

1) weight in kg per piece or set including package

# MULTIVERT® 160A

Size 00, 690VAC, Triple Pole Switching



## Accessories



### Varieties of cable termination

Catalog number	Reference number	Design	Weight kg <sup>1)</sup>	Package
00SZS	M229298	M8 terminal screw for switch gear size 00 1 set = 3 pieces	0.03	1 set
00SZESK	E214594	clamp strap Cu 4–70 mm <sup>2</sup> for switch gear size 00 1 set = 3 pieces	0.04	1 set
00SZA70	R211523	Al/Cu clamp 1,5–70 mm <sup>2</sup> for switch gear size 00 1 set = 3 pieces	0.08	1 set
1.003.571	V1033684	Al/Cu clamp 50–95 mm <sup>2</sup> round stranded for switch gear size 00 1 set = 3 pieces	0.10	1 set
1.003.433	L1022958	triple clamp per pole 1.5 up to 16 mm <sup>2</sup> 1 set = 3 pieces	-	1 piece
00SZVK1	D1023434	V-terminal clamp size 00, 10–70 mm <sup>2</sup> round stranded, 10–95 mm <sup>2</sup> round solid, 35–95 mm <sup>2</sup> single stranded, 50–95 mm <sup>2</sup> single solid, M = 12 Nm	0.04	1 piece
1.000.098	E1023435	insulation cap for V-terminal clamp size 00	0.002	1 piece

1) weight in kg per piece or set including package