

# KP100L

## Highest Reliability and Quality, Fastest return of Investment in string inverters category.

1. PV module care: Monocrystal and polycrystal module performances last for longer thanks to the PID-preventive integrated functionality.  
Thin film solar module compatibility is approved with First Solar. Other thin film module manufacturer are under evaluation. Please contact your local Omron office for the complete list.
2. Top level performance: 3 MPP Trackers, Wide MPPT voltage range, High efficiency at wide DC range, Max peak output power (+10%).
3. Wide range of applications: Outdoor installation (IP65), in temperature range up to +60°C.



## Ordering Information

Description	Model	Applicable country
Photovoltaic Inverter	KP100L-OD-EU	For the update list of applicable countries, please contact your local Omron office or check on OMRON Europe website
	KP100L-OD-EU-S	

## Specification

Item		KP100L-OD-EU(-S)
DC Input	Nominal DC power	10,300 W
	Max. DC power	11,500 W
	Max. open-circuit voltage	850 VDC
	DC voltage range	200 to 850 VDC
	MPPT voltage range	225 to 850 VDC
	Nominal voltage	585 VDC
	Number of MPP Trackers	3
	Type of DC terminals	MC-4 (PV-KBT4 / PV-KST4)
	Max. current per one pair of DC terminals	13 ADC
	Max. power per one pair of DC terminals	6,000 W
AC Output	Nominal power	10,000 W
	Peak power (10 minutes)	11,000 W
	Nominal Output Current	14.5 A
	Output voltage	230/400 VAC
	Nominal frequency	50 Hz
	Output frequency range	45 to 55 Hz
	THD of output current	4% or less
	Power factor (cos phi)	0.85 leading ... 1 (typical) ... 0.9 lagging
	Wiring system	3-phase 4-wire
Performance	Max. efficiency	97.5%
	European efficiency	97.1%
	Standby consumption power	1 W or less
	Night time consumption power	1 W or less
Certifications	CE mark	Yes
	Others	<a href="http://industrial.omron.eu/">http://industrial.omron.eu/</a> <a href="http://green.omron.eu">http://green.omron.eu</a>

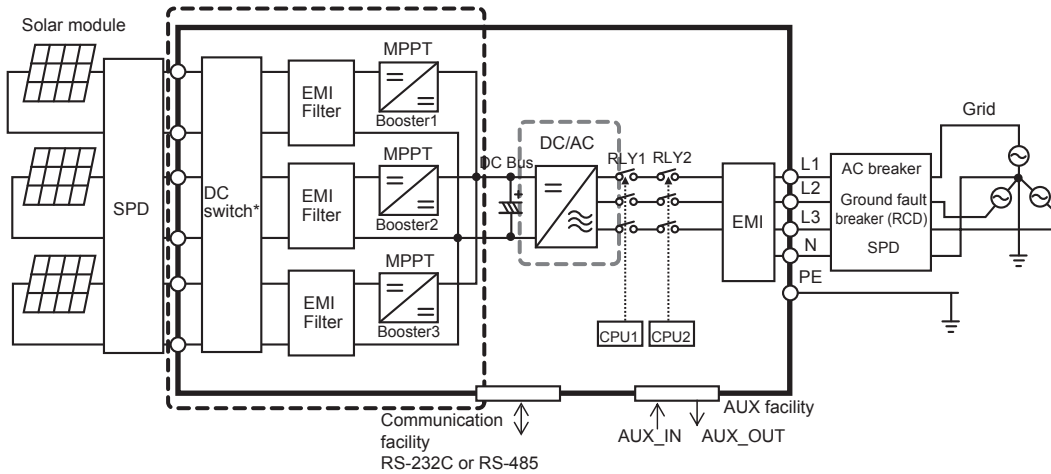
# KP100L

Item		KP100L-OD-EU(-S)
Other	Operation temperature range	-20 to +60°C
	Tolerable relative humidity	4 to 100%, non-condensing
	Climate class (per IEC 60721-3-4)	4K4H
	Degree of protection	Housing:IP65 (acc. To DIN EN60529)
	Cooling	Forced ventilation
	Dimensions (W × H × D)	455 × 740 × 270 mm
	Weight	Approx. 42 kg
	Display	LCD (16 characters, 2 lines)
	Data transmission	RS-232C/RS-485
	Software	<b>Monitoring</b> Omron PVremote / Solar-Log™
		<b>Sizing</b> Omron PVsizing Pro
	Built in DC-switch	No (Yes)
	Warranty	5 years or 10 years

## ZCC Circuit

### Top Performances, for longer

Key to Omron's innovative solution to prevent PID is the special ZCC circuit that was developed together with a leading Japanese university. PID effects can be delayed so the PV plant performances are maintained at the top for longer. The KP100L has 3 individual MPPT (Maximum Power Point Tracker) devices and ensures high power efficiency and maximum power output at all times.



\* Inside the black bold line shows Inverter.

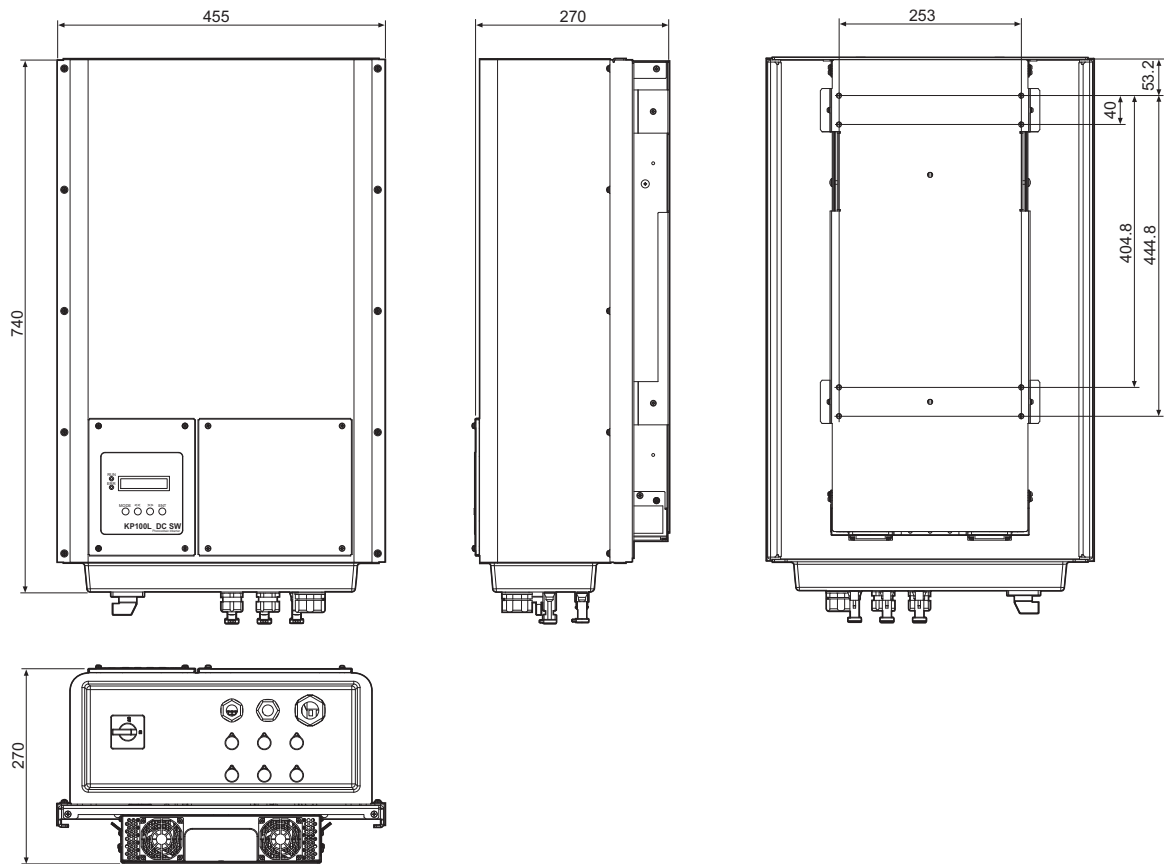
shows 3 MPPT

include original circuit design, ZCC circuit.

DC switch is integrated in all the PV inverter models, except KP100L-OD-EU.

# Dimensions

## KP100L



## **OMRON EUROPE B.V.**

Wegalaan 67-69,  
NL-2132 JD, Hoofddorp,  
The Netherlands  
Phone: +31 23 568 13 00  
Fax: +31 23 568 13 88  
[www.industrial.omron.eu](http://www.industrial.omron.eu)