

Totalizing Counters „mini-i“ Type 634/635

Type 634: Counter with high immunity against magnetic interference

Type 635: Counter with high shock stability



- Miniature size
- Low power consumption
- Electrical connections in standard grid
- Suitable for PCB mounting
- Machine-solderable and washable versions available
- Protection class IP 65

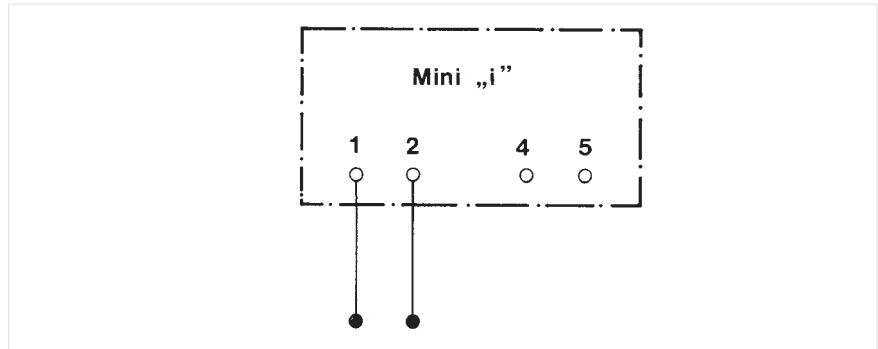
TECHNICAL DATA

Display	6 or 7-digit, depending on version	
Digit height	4 mm, visual	
Supply voltage V _{op}	according to order information, tolerance + -10 %	
Power consumption	Type 634 : approx. 50 mW ... 440 mW according Version Type 635 : 5...12 VDC 80 mW 24 VDC 160 mW	
Operating temperatur	- 10 ... + 50 °C	
Storage temperatur	- 40 ... + 85 °C	
El. connection	Versions .1 and .3 with solder pins, .7 and .8 with wiring posts Ø0.6 mm, cable length <30m (only Typ 634)	
Mounting	Versions .1 and .3 on PCB's, .7 with wiring posts, .8 with locating spring	
Mounting position	horizontal	
Protection class (EN 60529)	Type .1 and .3	IP 65 Housing, IP 00 Connections
	Type .7 and .8	IP 66 Front, IP 00 Connections
	Type 8	IP 40 Front in Frontpanel
Vibro stability	Type 634 : 20 m/s ² (10...500 Hz) acc. to IEC 068-2-6 Type 635 : 30 m/s ² (10...500 Hz) acc. to IEC 068-2-6	
Shock stability	Type 634 : 2000 m/s ² acc. to IEC 068-2-27 Type 634 : 3500 m/s ² acc. to IEC 068-2-27	
General design	according EN 61010-1, EN 50178	
Contamination Level	2	
Protection	according to class II	
Overvoltage category	II	
Susceptibility to magnetic interference	Type 634 at 100 kA/m (PTB) no effect	
Maintenancefree operation	10 million pulses	
Duty cycle at 25 °C	100 %	
Weight	approx. 10 g	
Pulse length min.	50 ms	
Counting frequency max.	10 Hz	
Reset	none	

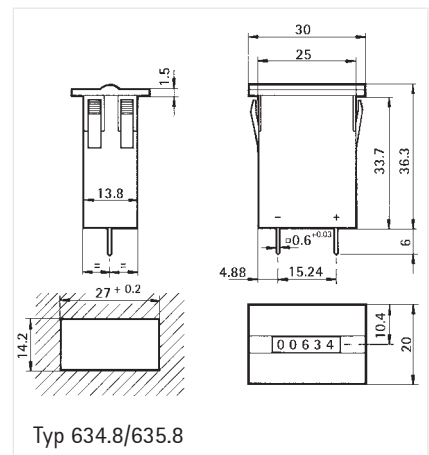
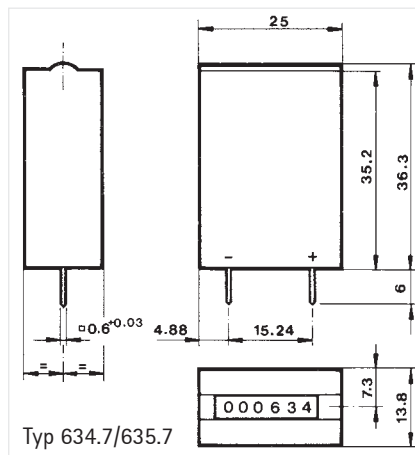
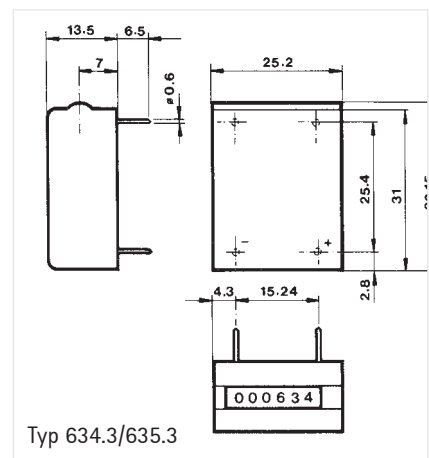
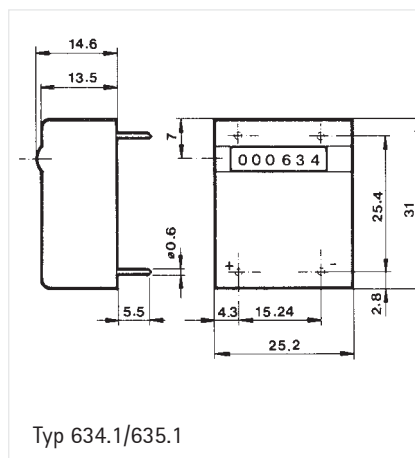
Type 634/635

Technical data

CONNECTION DIAGRAM



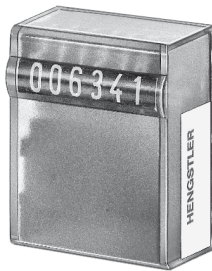
DIMENSIONS



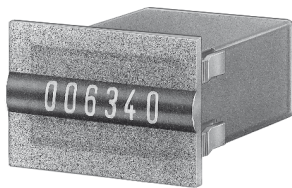
Dimensions in mm

ORDER INFORMATION

Type 634



Type 634



Technical data

Type 634/635



6-digits		634.1	634.3	634.7	634.8
Voltage	Ω	Ordering code	Ordering code	Ordering code	Ordering code
5 VDC	335 Ω	0 634 132	0 634 332	0 634 712	0 634 812
12 VDC	335 Ω + RV 330 Ω ¹	0 634 128	0 634 328	0 634 708	0 634 808
24 VDC	335 Ω + RV 1K Ω ¹	0 634 130	0 634 330	0 634 710	0 634 810
7-digits		634.1	634.3	634.7	634.8
Voltage	Ω	Ordering code	Ordering code	Ordering code	Ordering code
5 VDC	335 Ω		0 634 667	0 634 630	
12 VDC	335 Ω + RV 330 Ω ¹	0 634 631		0 634 714	
24 VDC	335 Ω + RV 1K Ω ¹	0 634 673		0 634 713	
6-digits		635.1	635.3	635.7	635.8
Voltage	Ω	Ordering code	Ordering code	Ordering code	Ordering code
5 VDC	320 Ω	0 635 132	0 635 332	0 635 712	0 635 812
12 VDC	1860 Ω	0 635 128	0 635 328	0 635 708	0 635 808
24 VDC	3720 Ω	0 635 130	0 635 330	0 635 710	0 635 810
Connection leads 150 mm			red	1 634 008	1 634 008
			black	1 634 007	1 634 007
7-digits		635.1	635.3	635.7	635.8
Voltage	Ω	Ordering code	Ordering code	Ordering code	Ordering code
5 VDC	320 Ω	0 635 603	0 635 623	0 635 637	0 635 639
12 VDC	1860 Ω	0 635 640		0 635 652	0 635 630
24 VDC	3720 Ω	0 635 684	0 635 621	0 635 650	0 635 609
Connection leads 150 mm			red	1 634 008	1 634 008
			black	1 634 007	1 634 007

Inquire for optional mounting position and further voltages

¹ RV internal

Type 635



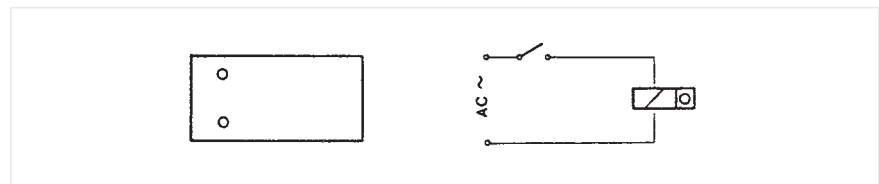
TECHNICAL DATA

„mini-iw“ for AC Voltage

- Miniature size
- Low power consumption
- Simple installation
- Protection class IP 65

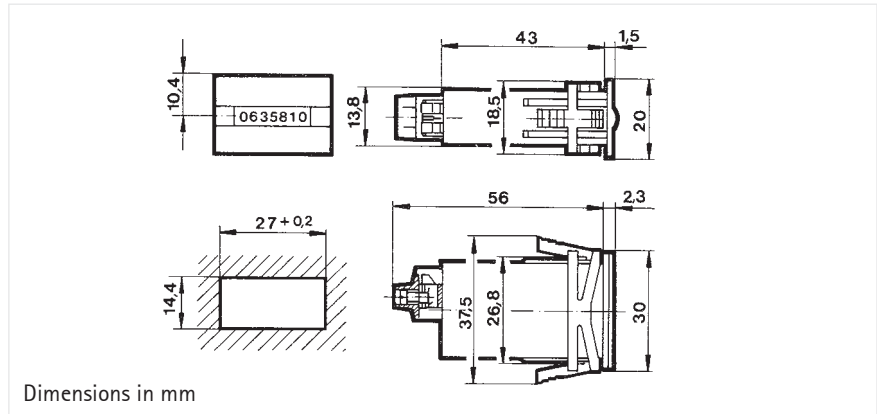
Display	6-digit
Digit height	4 mm, visual
Supply voltage V_{Op}	according to order information, tolerance $\pm 10\%$,
Power consumption	at 24 VAC: 85 mW, at 115 VAC: 310 mW, at 230 VAC: 600 mW
Operating temperature	- 10 ... + 50 °C
Storage temperature	- 40 ... + 85 °C
El. connection	screw connection
Mounting	with clamping frame
Mounting position	horizontal
Protection class (EN 60529)	IP 65 Frontside, IP 00 Connections IP 40 Front in Frontpanel
Vibrostability	30 m/s ² (10 ... 500 Hz) acc. to IEC 068-2-6
Shock stability	800 m/s ² (6 ms) acc. to IEC 068-2-27
General design	according EN 61010-1, EN 50178
Contamination Level	2
Protection	according to class II
Overvoltage category	II
Maintenance-free operation	10 million pulses
Duty cycle at 25 °C	100 %
Weight	approx. 20 g
Count input	adding
Pulse length min.	50 ms
Counting frequency	10 Hz
Pulse duty factor	1:1
Reset	none

CONNECTION DIAGRAM



DIMENSIONS

Clamping terminal connection



Dimensions in mm

ORDER INFORMATION

	Coil	Screw terminals	Connection cable	AMP-Connector
Voltage	Ω			
24 VAC	6,8 k Ω	0 635 811	0 635 821	0 635 841
115 VAC	6,8 k Ω + RV 25 k Ω	0 635 813	0 635 823	0 635 843
230 VAC	6,8 k Ω + RV 66 k Ω	0 635 815	0 635 825	0 635 845
Panel Frame 24 x 36 (assembly dimension 22 x 33) Ordering code				1 405 674

Inquire for other versions

Totalizing
Counters

Type 635

for DIN-Rail Attachment

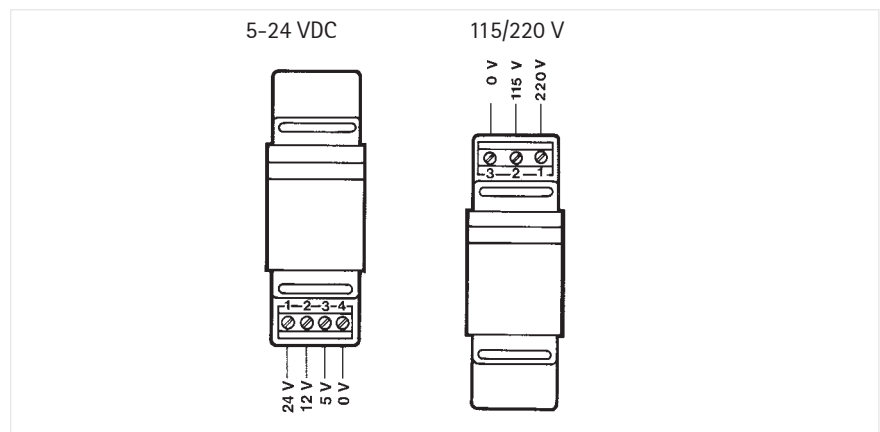


- DIN rail attachment
- Wide voltage range
- Screw terminal connection
- No reset

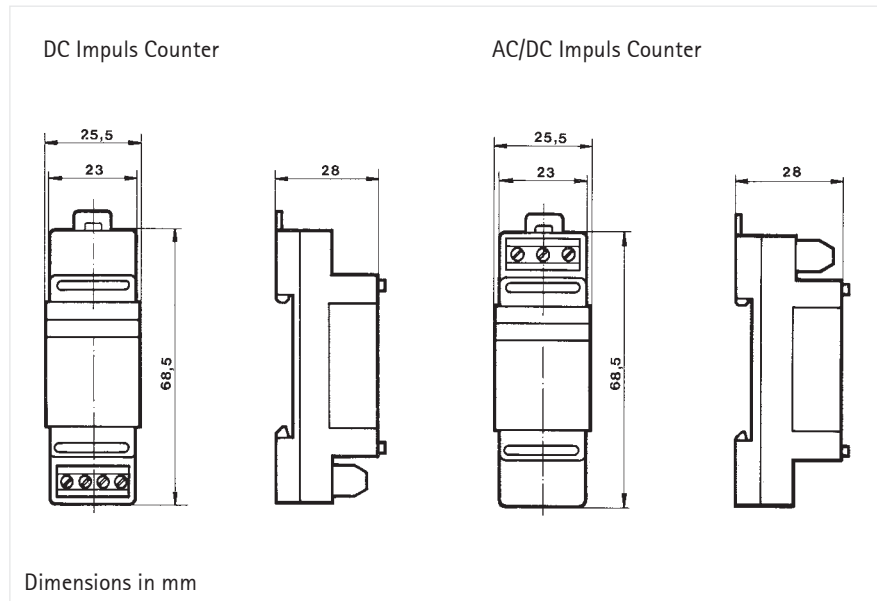
TECHNICAL DATA

Display	6 or 7-digit, depending on version
Digit height	4 mm, visual
Supply voltage V_{Op}	5, 12, 24 VDC or 115/220 VDC/VAC, dep. on version DC version $\pm 10\%$, 230 VAC $+6 - 10\%$
Power consumption	80 mW on 5 VDC, 200 mW on 12 VDC, 400 mW on 24 VDC, 350 mW on 115 VAC, 665 mW on 220 VAC
Max. residual ripple	DC operation: 48 %
Operating temperature	- 10 ... + 50 °C
Storage temperature	- 40 ... + 85 °C
El. connection	screw terminals, max. 2.5 mm ²
Mounting	35 mm DIN rail
Protection class (IEC 144)	IP 10
Vibrostability	50 m/s ² acc. to IEC 068-2-6
Shock stability	2000 m/s ² (3 ms) acc. to IEC 068-2-27
General design	EN 61010-1, EN 50178; contamination class 2
Duty cycle at 25 °C	100 %
Maintenance-free	10 ⁷ pulses
Weight	approx. 40 g
Count input	adding
Pulse length min.	50 ms
Counting frequency max.	10 Hz
Pulse duty factor	1:1
Reset	none

CONNECTION DIAGRAM



DIMENSIONS



ORDER INFORMATION

	6-digit	7-digit
Supply voltage 5, 12 and 24 V DC	0 635 532	0 635 633
Supply voltage 24 V AC	0 635 541	
Supply voltage 115/230 V DC/V AC	0 635 550	0 635 636

Totalizing
Counters