

IEC Low Voltage General Purpose Protection

NH fuse-links Plain blades

Sizes 0 to 3 aM 500 to 690VAC from 32 to 630A
Ceramic body with French striker

Data Sheet

The NH system is classified among plug-in fuse systems and is composed of:

- fuse-base, (possibly including terminal covers and phase barriers)
- fuse-link with blade contact
- fuse-link replacement device (LV HRC fuse puller)

Since the design of this system cannot guarantee non-interchangeability of rated current, it must be handled by a qualified professional.

Benefits

Dimensions according to DIN 43 620
Parts 1 to 4 standard

Lead free contact blades

0% cadmium

Applications

aM: Partial purpose, motor circuit protection



Ratings

80kA Breaking capacity @ 690V

120kA Breaking capacity @ 500V

Approvals

DIN 57636 Part 201

VDE 0636 Part 201

IEC 60269-1 and -2



Related products

Fuse-holders: NH fuse bases

NH fuse switch disconnectors

Packaging: 3 pieces

IEC Low Voltage General Purpose Protection

NH fuse-links Plain blades

Sizes 0 to 3 aM 500 to 690VAC from 32 to 630A

Ceramic body with French striker

Sizes 0 to 3 - With Striker

Size	Rated Voltage (V)	Nominal Current (A)	Breaking Capacity @ Rated Voltage (kA)	Watts Loss @ 100% In (W)	Previous reference	Catalog Number	Reference Number
0	690	32	80	2.4	37443	NH0AM69V32P-2	Z213140
0	690	40	80	2.8	37447	NH0AM69V40P-2	R213639
0	690	50	80	3.6	37451	NH0AM69V50P-2	V214148
0	690	63	80	4.6	37455	NH0AM69V63P-2	Y214657
0	690	80	80	6.0	37459	NH0AM69V80P-2	C215167
0	690	100	80	7.5	37463	NH0AM69V100P-2	F215676
0	690	125	80	9.5	37465	NH0AM69V125P-2	L216187
0	690	160	80	12.0	37469	NH0AM69V160P-2	J216691
0	500	200	120	-	37471	NH0AM50V200P-2	X217209
1	690	80	80	6.0	37559	NH1AM69V80P-2	C217720
1	690	100	80	7.5	37563	NH1AM69V100P-2	M218235
1	690	125	80	9.9	37565	NH1AM69V125P-2	A218753
1	690	160	80	12.7	37569	NH1AM69V160P-2	P219272
1	690	200	80	16.4	37571	NH1AM69V200P-2	B222480
1	690	250	80	21.5	37575	NH1AM69V250P-2	T223002
1	500	315	120	-	37579	NH1AM50V315P-2	A200790
2	690	125	80	-	37665	NH2AM69V125-2	S201335
2	690	160	80	12.7	37669	NH2AM69V160-2	B201849
2	690	200	80	16.4	37671	NH2AM69V200-2	Y211069
2	690	224	80	18.7	37673	NH2AM69V224P-2	P211590
2	690	250	80	21.5	37675	NH2AM69V250-2	Y212104
2	690	315	80	29.0	37679	NH2AM69V315P-2	N212624
2	690	355	80	32.0	37681	NH2AM69V355-2	A213141
2	690	400	80	34.0	37683	NH2AM69V400-2	S213640
2	500	500	120	-	37687	NH2AM50V500-2	W214149
3	690	315	80	25.0	37779	NH3AM69V315P-2	Z214658
3	690	355	80	29.0	37781	NH3AM69V355P-2	D215168
3	690	400	80	34.0	37783	NH3AM69V400P-2	G215677
3	690	500	80	45.0	37787	NH3AM69V500P-2	M216188
3	500	630	120	60.0	37789	NH3AM50V630P-2	K216692

IEC Low Voltage General Purpose Protection

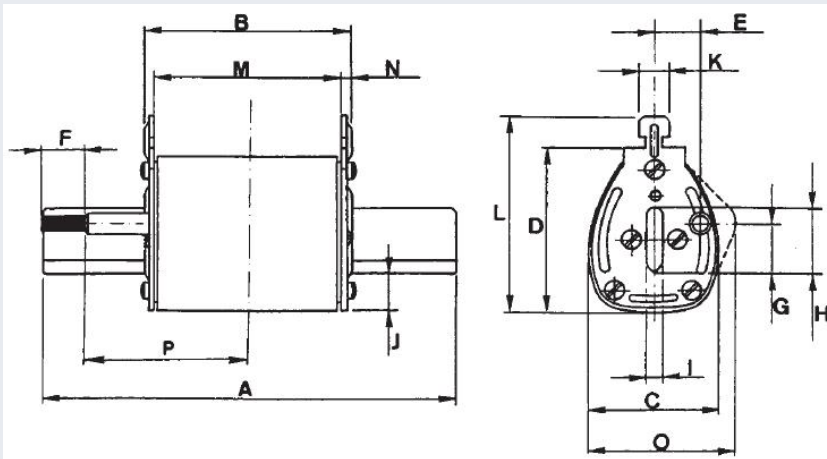
NH fuse-links Plain blades

Sizes 0 to 3 aM 500 to 690VAC from 32 to 630A

Ceramic body with French striker



Dimensions (mm)



Size	A	B	C	D	E	F	G	H	I	J	K	L	M	N	O	P
0	124.5	66	39	49	14.5	15.5	14	15	6	14	10	59	60	3	41.5	47
1	134.5	67	40	55	16	15.5	14.5	20	6	14	10	65	61	3	45	52
2	150	67	56	62.5	19	15.5	14.5	26	6	15	10	72.5	61	3	-	60
3	150	67	69	76	24	15.5	14.5	32	6	16	10	86	61	3	-	60

IEC Low Voltage General Purpose Protection

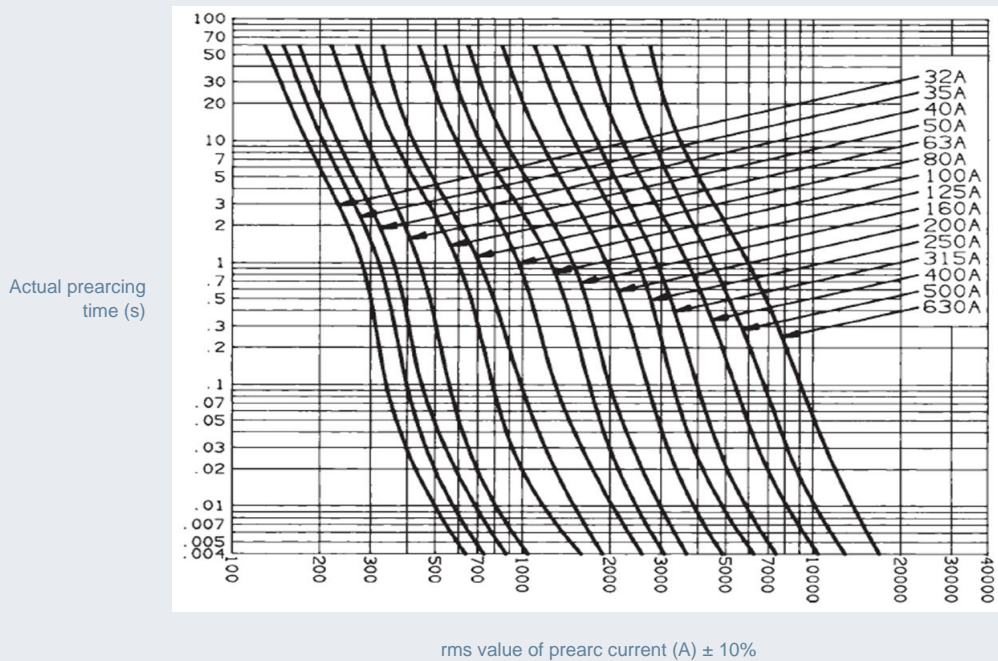
NH fuse-links Plain blades

Sizes 0 to 3 aM 500 to 690VAC from 32 to 630A

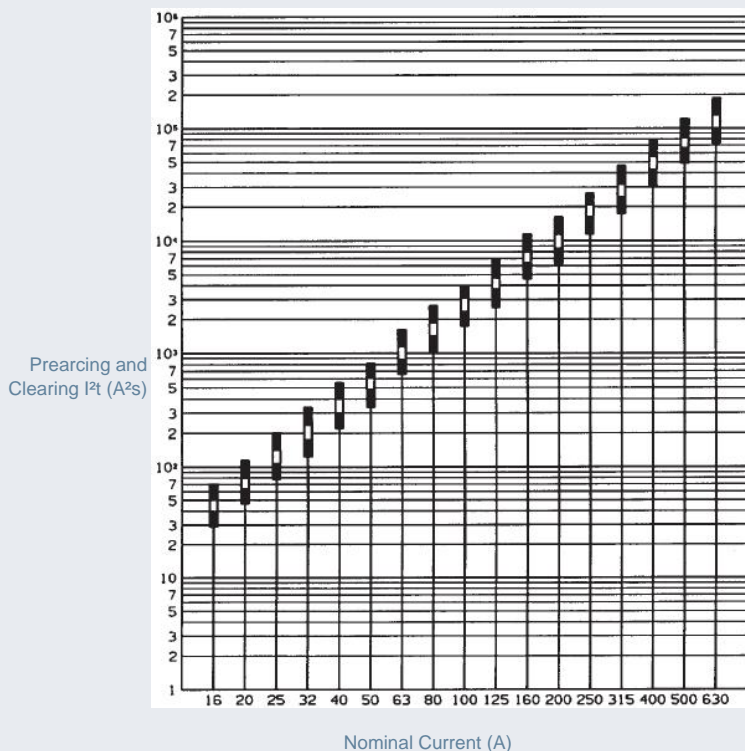
Ceramic body with French striker



Time current characteristics



Characteristics I²t



Peak let thru characteristics

