

HelioProtection® HP15M

fuse-links gPV 10x85 1500VDC

Photovoltaic Fuses

Mersen HP15M photovoltaic (PV) fuse series was engineered and designed specifically for the protection of photovoltaic systems. Its enhanced fuse construction makes it ideal for continuous temperature and current cycling withstand adding to system longevity. The 1500VDC rated HP15M allows safe circuit interruption under typical low fault current conditions produced by PV arrays and meets the trend for increased voltage for higher efficiency. Protect your off-grid or grid tied PV system from unexpected round faults and line faults using Mersen HelioProtection® fuse line.

Features Benefits

- Guaranteed operation at temperature extremes (-30°C to +70°C)
- Low fault current interrupting capability
- Temperature cycle withstand capability
- Durable construction for enhanced system longevity
- Globally accepted

Applications

- All photovoltaic applications
- PV string/array level protection
- Combiner box applications
- In-line PV module protection
- Inverters
- Battery charge controllers

Technical data overview

Volt (VDC)	1500 VDC
Ampere Range (A)	12 ... 16 A
Speed/Characteristic	gPV
Product Size	10x85mm



Standards

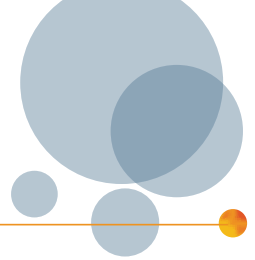
IEC 60269-6

UL 2579



HelioProtection® HP15M

fuse-links gPV 10x85 1500VDC



Product range



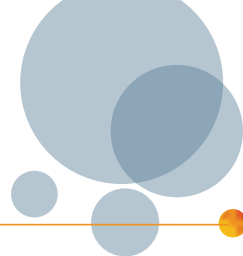
HP15MGPV12

Cylindrical fuse-links 10x85 HP15M 1500VDC

Catalog number	Reference number	Rated voltage DC (IEC)	Rated current I_n	Power dissipation at $0.7I_n$	Power dissipation at I_n
HP15MGPV12	-	1500 V	12 A	1.5 W	3.7 W
HP15MGPV16	-	1500 V	16 A	2.3 W	5.7 W

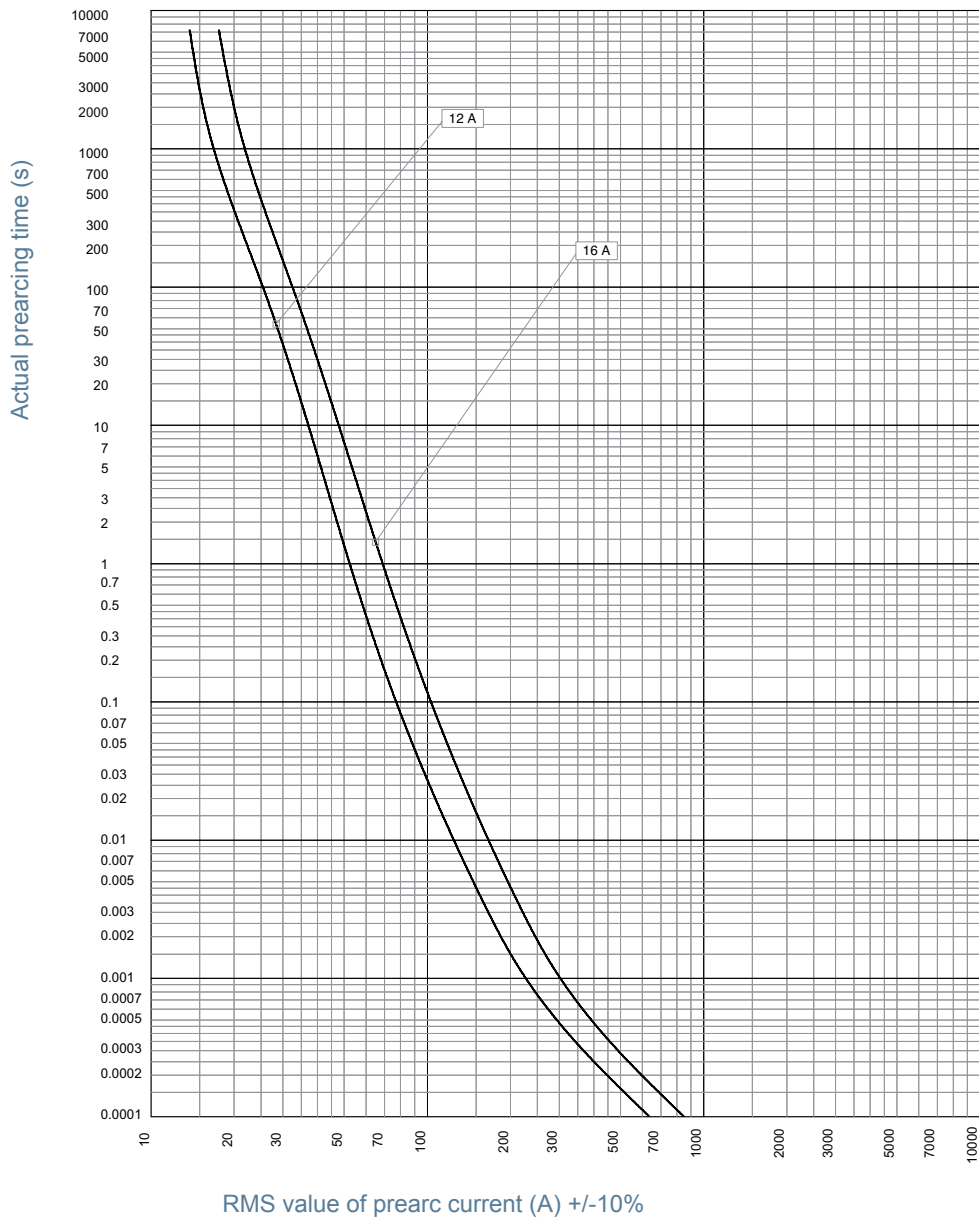
Fuse clips for cylindrical fuse-links 10x38

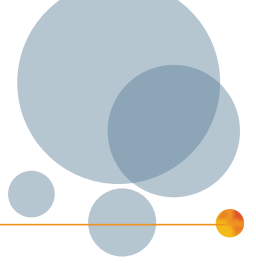
Catalog number	Reference number	Rated current I_n	Power dissipation at $0.7I_n$	Power dissipation at I_n	Width	Design	Weight	Package
MR10RESSORTCI	Y098507	50 A	4.6 W	11 W	39.5 mm	MR10 CI	4.5 g	200
MR10RESSORTCI	Y098507	50 A	4.6 W	11 W	39.5 mm	MR10 CI	4.5 g	1000



Time current characteristic curves

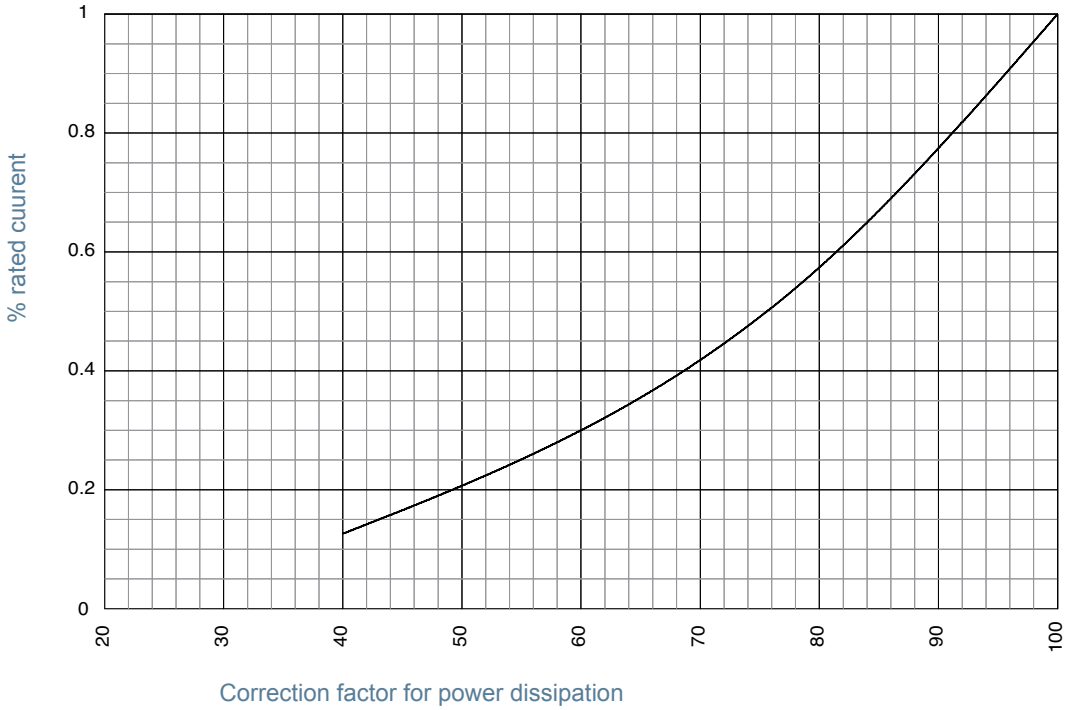
Special purpose fuse-link gPV 10x85 HP15M 1500VDC 12-16A (20828000A-211)





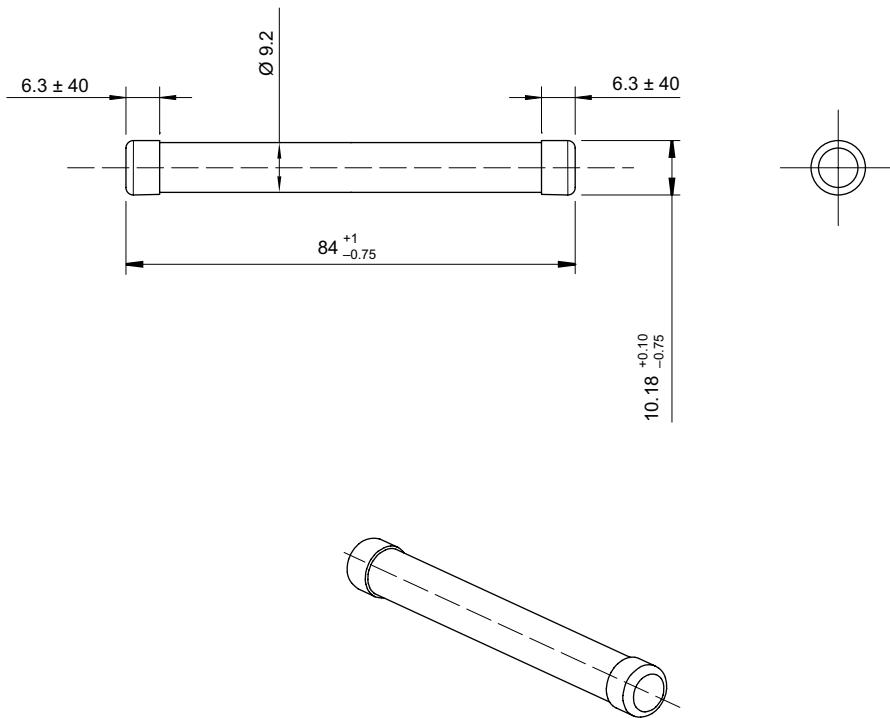
Correction factor

Rated power dissipation at rated current fuse-link gPV 10x85 HP15M 1500VDC 12-16A (20828000A-262)

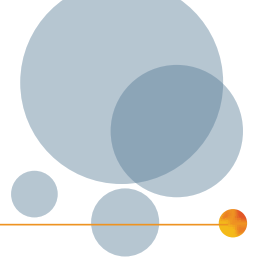


Dimensions

Special purpose gPV fuse-link 10x85 HP15M 1500VDC

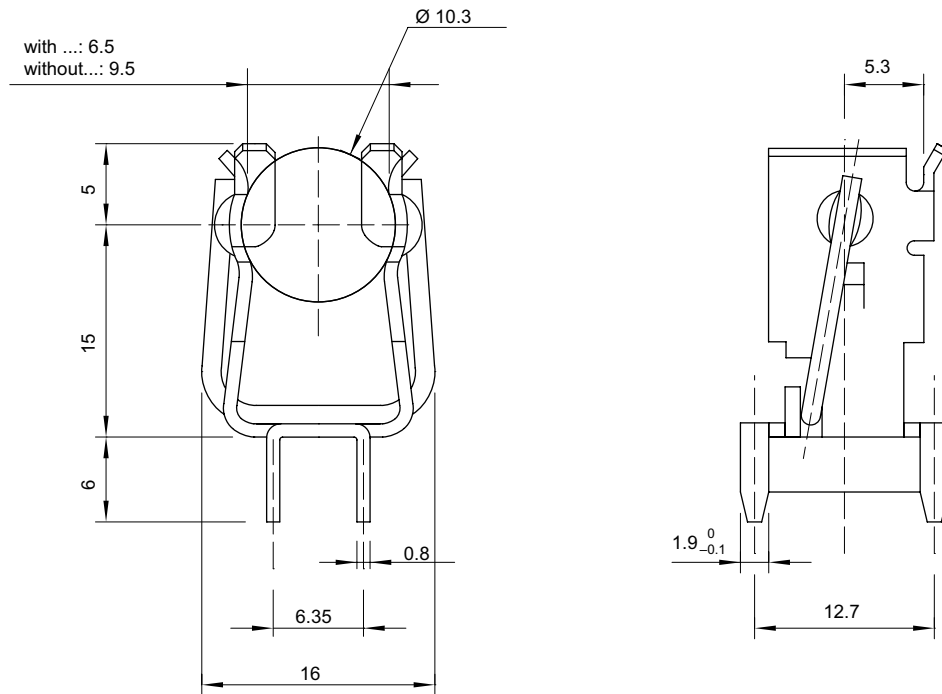


Dimensions in mm



Dimensions

Fuse clips for fuse-links gPV 10x85 HP15M 1500VDC



Dimensions in mm