

Installation and Utilization



General Features

The STD-P090 is a stand for PowerScan™ 9000 family bar code readers, for hands-free operation. It also helps to keep the reader's handle within the operator's reach.

The mounting kit supplied with the stand contains the following components:

- three self-tapping screws
- two adhesive strips

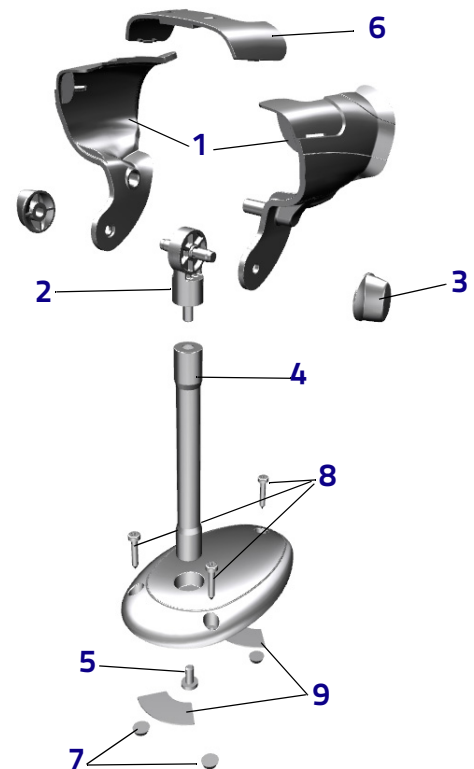
Utilization

Insert the reader into the stand as shown at left. Rotate the holder as needed to position the reader for the best orientation with respect to the bar codes.

Assembling the STD-P090

To assemble the STD-P090 proceed as follows, referring to the figure at right:

1. Connect the left and right supports (1) and fix them to the central support (2) with the positioning screw (3).
2. Push the bridge (6) down onto the supports and wedge into place.
3. Position the assembly by screwing the central support (2) into the tube (4).
4. Position the assembly onto the base by fixing the tube (4) onto the base with the fixing screw (5).



Fixed Desktop Use

The STD-P090 can be mounted to any surface using either the three self-tapping screws (8) or the two double-sided adhesive strips (9); alternatively, the three adhesive bumpers can be used (7).

Mounting with screws:

1. Be sure that the STD-P090 is already assembled.
2. Affix the STD-P090 base to the desired surface by means of the three self-tapping screws (8).

Mounting with adhesive strips:

1. Carefully clean the bottom surface of the base with alcohol to remove any impurities that could reduce the adhesion.
2. Remove the protective plastic from one side of the adhesive strips (9) and stick them onto the bottom surface of the base.
3. Remove the plastic from the other side of the strips and affix the STD-P090 to the desired surface.



The surface must be smooth and clean to allow correct adhesion.

