



Schroff®
MAIN CATALOG

Overview 0

Cabinets 1

Wall mounted cases 2

Accessories for cabinets and wall mounted cases 3

Climate control 4

Desk-top cases 5

Subracks/ 19" chassis ... 6

Front panels, plug-in units .. 7

Systems 8

Power supply units 9

Backplanes .. 10

Connectors, front panel component system 11

Appendix 12

Wall mounted cases

For robust industrial environments up to IP 66

CONCEPTLINE

Case with gland plate, internal assembly with mounting plate or 19" mounting
Steel, IP 66



INLINE

Terminal housing or installation case
Steel, IP 66



QLINE

Robust small cases for industrial applications
Made of impact resistant Polycarbonate
IP 66 and IP 67
Designed for outdoor applications



A48

Case for highly corrosive environments, fibreglass reinforced polyester
IP 66
Designed for outdoor applications



Wall mounted cases

For data and network systems



epcase

Distributor and network case for 10" and 19" applications
With hinged side panels
Steel, IP 20

LAN wall mounted enclosure

Ideal for fibre optics applications or as copper small distributor, retrofittable with side-by-side modules
Steel, IP 20



Overview 2.0

For robust industrial environments up to IP 66

CONCEPTLINE 2.2

INLINE 2.8

QLINE 2.14

A48 2.20

For data and network systems

epcase 2.24

LAN wall mounted 2.36

ServicePLUS .. 2.46

Cabinet Accessories . 3.0

Overview 0

Cabinets 1

Wall mounted cases 2

Accessories for cabinets and wall mounted cases 3

Climate control 4

Desk-top cases 5

Subracks/ 19" chassis ... 6

Front panels, plug-in units .. 7

Systems 8

Power supply units 9

Backplanes .. 10

Connectors, front panel component system 11

Appendix 12

Wall mounted cases - CONCEPTLINE



41107005



41107004



41107003



41107002

Depth-adjustable 19" plane

Depth-adjustable mounting plate

Gland plate

Standards

- Type of protection IP 66 in accordance with IEC 60529
- UL 508 type 12
- NEMA 250 type 12
- CSA-C22.2 No. 94 type12



Downloads and further important information can be found on the Internet under www.schroff.biz

Robust indoor wall mounted enclosure

- Type of protection IP 66
- Depth adjustable 19" assembly plane or mounting plate
- With gland plate
- Dimensions from 300 x 250 x 150 mm to 1200 x 600 x 420 mm
- New colour RAL 7035



Wall mounted case

41107002



Wall mounted case with mounting plate

41107001

For smaller case dimensions see chapter Wall mounted cases - INLINE, page 2.8

ServicePLUS from page 2.46

- e.g. special colours, special sizes
- e.g. air conditioning
- e.g. fittings, conversions, cut-outs
- e.g. custom solutions

www.schroff.biz/ServicePLUS/



30407004

CONCEPTLINE

Wall mounted case 2.4

Wall mounted case with mounting plate .. 2.5

Accessories

Mounting plate .. 2.6

19" panel mount 2.7

ServicePLUS . . 2.46

Wall mounted cases - CONCEPTLINE

Wall mounted case



41102002

- Type of protection IP 66
- With gland plate
- Door opening angle 130°

Delivery comprises (assembled)

Item	Qty	Description
1	1	Basic case, St, 1.5 mm, RAL 7035
2	1	Door, St, 1.5 mm, RAL 7035, with gasket
3	1	Gland plate, supplied loose, St, 1.5 mm (800 mm wide cases have 2 gland plates)
4	1 / 2	Lock, 3 mm double bit, case height up to 500 mm, 1 lock, case height over 600 mm, 2 locks
5	1	Assembly kit

Order Information

Case Height H	Width W	Depth D	Weight kg	Gland plate		Part no.
				Width w	Depth d	
300	250	150	5.3	187	62	12506-004
300	300	220	7.4	220	100	12506-010
400	300	150	7.6	187	62	12506-005
400	300	220	9.0	220	100	12506-011
400	400	220	10.5	220	100	12506-012
400	600	220	13.9	220	100	12506-017
500	400	220	13.0	220	100	12506-013
500	500	220	14.4	420	100	12506-015
500	500	320	17.9	420	100	12506-030
600	500	150	15.2	318	62	12506-003
600	400	220	14.9	220	100	12506-014
600	600	220	20.5	420	100	12506-018
600	600	320	24.0	420	100	12506-031
800	600	220	25.4	420	100	12506-019
800	800	220	32.0	220	100 1)	12506-020
800	600	320	29.4	420	100	12506-032
800	600	420	31.4	420	100	12506-054
1000	600	220	31.0	420	100	12506-022
1000	600	320	34.0	420	100	12506-041
1200	600	320	40.0	420	100	12506-033
1200	600	420	44.0	420	100	12506-055

const002

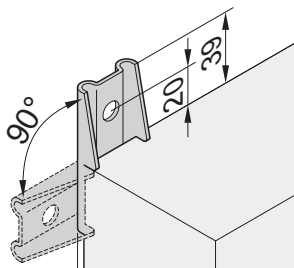
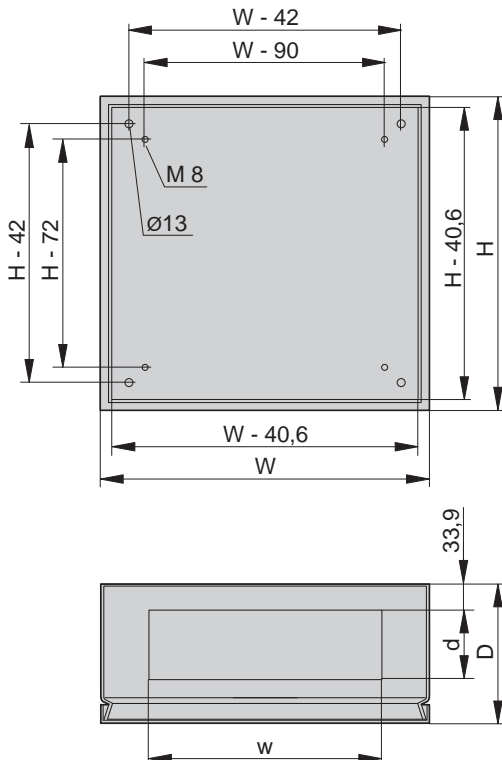
Wall mounting bracket St, 2.5 mm, zinc-plated, PU 4 pieces	CMFK
T-bar lock with 2 keys, PU 1 kit	62406-096
GND/earthing , 2 x Cu wire, green/yellow, PU 1 kit	12406-400
1) with 2 gland plates 220 mm x 100 mm	

Note

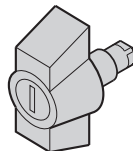
- Smaller cases in chapter INLINE; further versions available on request



For further information www.schroff.biz/oneclick
oneClick search code = Part no.



Wall mounting bracket



T-bar lock

const021 41105050



ServicePLUS see page 2.46

Wall mounted cases - CONCEPTLINE

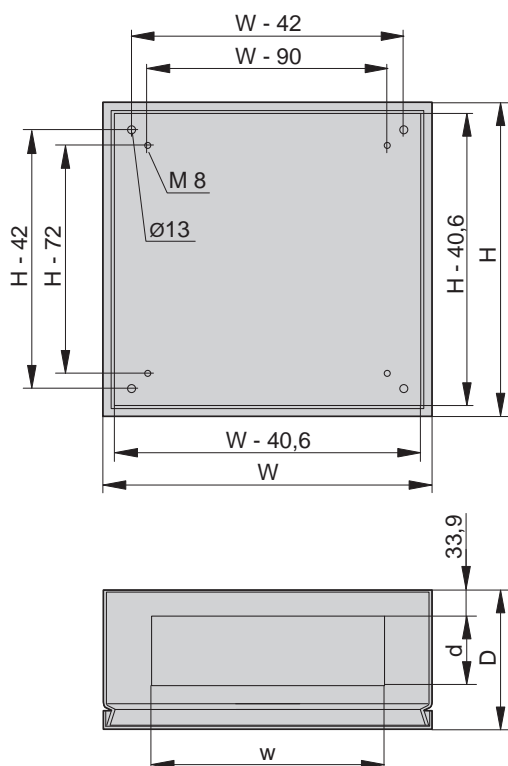
Wall mounted cases with mounting plate



- Type of protection IP 66
- With gland plate
- Door opening angle 130°

Delivery comprises (assembled)

Item	Qty	Description
1	1	Basic case, St, 1.5 mm, RAL 7035
2	1	Door, St, 1.5 mm, RAL 7035, with gasket
3	1	Gland plate, supplied loose, St, 1.5 mm
4	1 / 2	Lock, 3 mm double bit, case height up to 500 mm, 1 lock, case height over 600 mm, 2 locks
5	1	Mounting plate (supplied loose) , zinc-plated, from 600 mm height with return flange
6	1	Assembly kit



41107001

Order Information

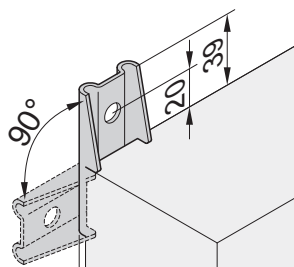
Case Height H mm	Width W mm	Depth D mm	Weight kg	Gland plate		Part no.
				Width w mm	Depth d mm	
300	250	150	6.4	187	62	12506-160
300	300	220	8.7	220	100	12506-162
400	300	150	9.5	187	62	12506-161
400	300	220	10.9	220	100	12506-163
400	400	220	13.1	220	100	12506-164
400	600	220	20.5	420	100	12506-168
500	400	220	16.4	220	100	12506-165
500	500	220	18.6	420	100	12506-167
600	400	220	18.9	220	100	12506-166
600	600	220	33.2	420	100	12506-169
600	600	320	36.7	420	100	12506-171
800	600	220	41.0	420	100	12506-170
800	600	320	45.0	420	100	12506-172
800	600	420	46.7	420	100	12506-173
800	800	220	44.8	420	100	12506-174
1000	600	320	46.0	420	100	12506-177
1200	600	320	54.0	420	100	12506-175
1200	600	420	59.0	420	100	12506-176

Wall mounting bracket St, 2.5 mm, zinc-plated, PU 4 pieces	CMFK
T-bar lock with 2 keys, PU 1 kit	62406-096
GND/earthing , 2 x Cu wire, green/yellow, PU 1 kit	12406-400

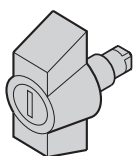
const002

Note

- For depth-adjustable assembly of mounting plate please order depth members and mounting brackets separately
- Smaller cases in chapter INLINE; further versions available on request



Wall mounting bracket



T-bar lock

const021 41105050



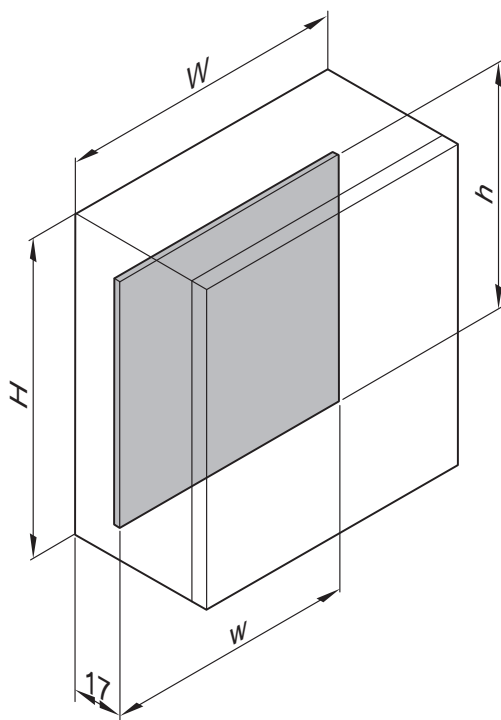
For further information www.schrock.biz/oneclick
oneClick search code = Part no.



ServicePLUS see page 2.46

Wall mounted cases - CONCEPTLINE

Mounting plate



- For assembly of electromechanical components
- Mounting position on rear panel; recessed installation is possible if depth members are used

Delivery comprises

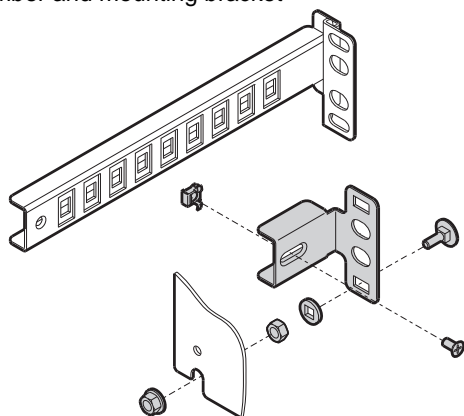
Item	Qty	Description
1	1	Mounting plate, St, 2.5 mm, zinc-plated
2	1	Assembly kit, incl. GND/earthing

Order Information

Mounting plate			For cases		Part no.
Height h	Width w	Weight	Height H	Width W	
mm	mm	kg	mm	mm	
254	204	1.0	300	250	12406-801
254	254	1.3	300	300	12406-810
354	254	1.5	400	300	12406-802
354	354	2.4	400	400	12406-812
354	554	4.3	400	600	12406-821
454	354	3.5	500	400	12406-813
454	454	4.3	500	500	12406-815
554	354	4.3	600	400	12406-814
554	454	5.2	600	500	12406-816
554	554	6.7	600	600	12406-818
754	554	9.5	800	600	12406-819

const006

Depth member and mounting bracket



const033

Depth member for case depth 220 mm, St, 2 mm, zinc-plated, PU 4 pieces	12406-419
Depth member for case depth 320 mm, St, 2 mm, zinc-plated, PU 4 pieces	12406-418
Depth member for case depth 420 mm, St, 2 mm, zinc-plated, PU 4 pieces	12406-411
Mounting bracket St, 2 mm, zinc-plated, assembly on depth member, for depth-adjustable assembly of a mounting plate, PU 4 pieces	12406-730

Note

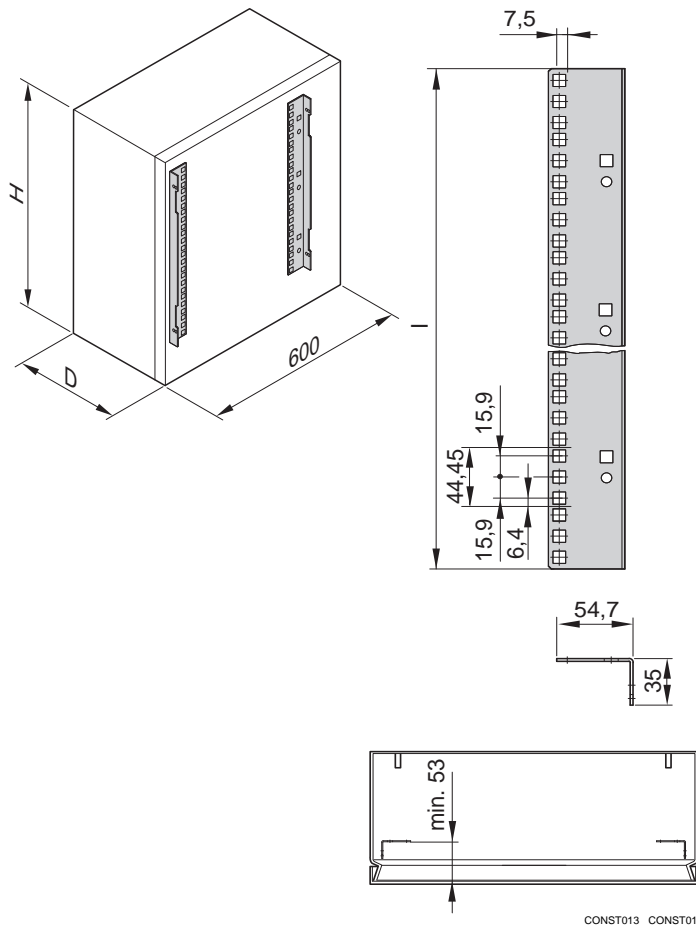
- For depth-adjustable assembly of the mounting plate please order depth members and mounting bracket separately



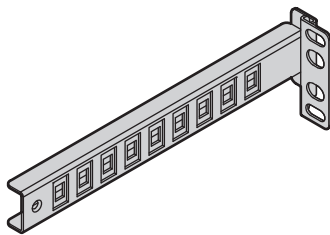
For further information www.schroff.biz/oneclick
oneClick search code = Part no.

Wall mounted cases - CONCEPTLINE

19" panel mount



Depth member



const034

- For fitting of 19" equipment in accordance with IEC 60297-3-100 (DIN 41494 part 1)
- Only suitable for cases with a width of 600 mm
- Front mounting position; recessed installation is possible if depth members are used

Delivery comprises

Item	Qty	Description
1	2	19" panel mount/grid, St, 2 mm, zinc-plated
2	1	Assembly kit incl. GND/earthing

Order Information

Usable height	Overall length l	For case height H	Part no.
U	mm	mm	
8	390	400	12406-450
10	490	500	12406-451
12	590	600	12406-452
17	790	800	12406-454

19" assembly kit (screw, washer, nut) (32 x M6 screws x 16, 32 x plastic washers, 32 x cage nuts) 21190-435

Depth member for case depth 220 mm, St, 2 mm, zinc-plated, PU 4 pieces 12406-419

Depth member for case depth 320 mm, St, 2 mm, zinc-plated, PU 4 pieces 12406-418

Depth member for case depth 420 mm, St, 2 mm, zinc-plated, PU 4 pieces 12406-411

Note

- For depth-adjustable fitting of the 19" grid please order depth members separately



For further information www.schroff.biz/oneclick
oneClick search code = Part no.

Overview 0

Cabinets 1

Wall mounted cases 2

Accessories for cabinets and wall mounted cases 3

Climate control 4

Desk-top cases 5

Subracks/ 19" chassis ... 6

Front panels, plug-in units .. 7

Systems 8

Power supply units 9

Backplanes .. 10

Connectors, front panel component system 11

Appendix 12

Wall mounted cases - INLINE



40707003



40796001

Installation housing, fittings may be mounted outside enclosure



40707001

Terminal housing, integral fixing rail



40796005

Easy wall mounting

Standards

- Type of protection IP 66 in accordance with IEC 60529
- UL 508 type 12
- NEMA 250 type 12
- CSA-C22.2 No.94 type 12



Robust small case for indoor wall mounting

- Type of protection up to IP 66
- To accommodate support rails or mounting plates
- Dimensions from 150 x 150 x 80 mm up to 400 x 400 x 120 mm
- New colour RAL 7035



40707001

Terminal case

- Type of protection IP 66
- Integrated fixing rail to accept a mounting plate or support rail
- Screw-fixed cover



40707002

Installation case

- Type of protection IP 66
- Direct fitting of mounting plate
- Support rails fitted onto fixing rails (can optionally be pre-assembled outside case)
- Door hinge 180°

Larger cases see chapter Wall mounted cases CONCEPTLINE, page 2.2

ServicePLUS from page 2.46

e.g. special colours, special sizes
e.g. fittings, conversions, cut-outs
e.g. custom solutions

www.schroff.biz/ServicePLUS



30407004

INLINE

Terminal case ... 2.10

Installation case 2.11

Accessories

Fixing rail 2.12

Support rail 2.12

Mounting plate . . 2.13

Wall mounting . . 2.13

ServicePLUS . . 2.46

Wall mounted cases - INLINE

Terminal case



40707001

- Type of protection: IP 66
- Integrated fixing rail for mounting plate or support rail
- Screw-fixed cover

Delivery comprises (assembled)

Item	Qty	Description
1	1	Basic case, St, 1.4 mm, RAL 7035 with 2 integrated fixing rails
2	1	Cover, St, 1.4 mm, RAL 7035, with gasket
3	1	Assembly kit for internal assemblies

Order Information

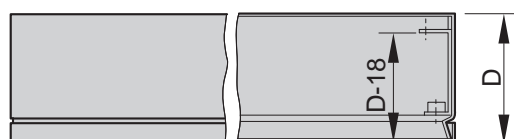
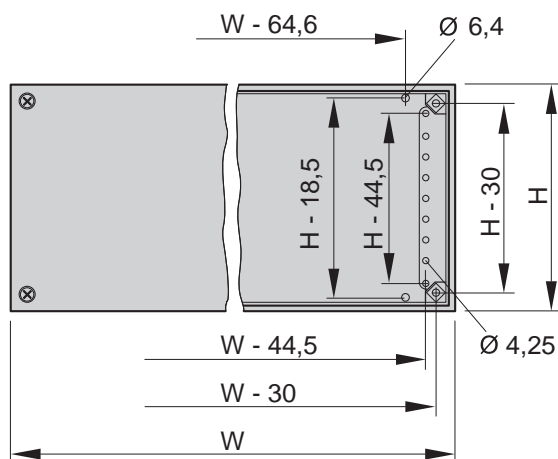
Height H mm	Width W mm	Depth D mm	Weight kg	Part no.
150	150	80	1.5	12505-001
150	150	120	1.8	12505-020
150	300	80	2.0	12505-002
150	300	120	2.7	12505-021
200	200	80	2.3	12505-003
200	200	120	2.5	12505-022
200	300	80	3.0	12505-004
200	300	120	3.5	12505-023
200	400	80	3.5	12505-005
200	400	120	4.5	12505-024
200	500	120	5.0	12505-025
300	300	120	4.5	12505-028
300	400	120	6.0	12505-029
400	400	120	7.5	12505-032

Earthing kit 21101-836


Wall mounting St, 2.6 mm, zinc-plated, incl. assembly kit and seal, PU 4 pieces 12405-120

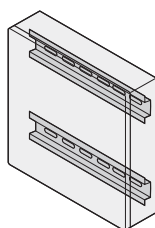
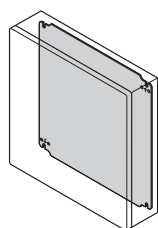
Note

- Other dimensions available on request
- Wall mounting see page 2.13
- Mounting plate see page 2.13
- Support rail see page 2.12



40708054

 For further information www.schroff.biz/oneclick
oneClick search code = Part no.



40708052 40708050

Assembly of mounting plate or support rail possible



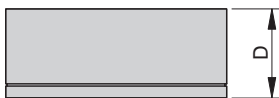
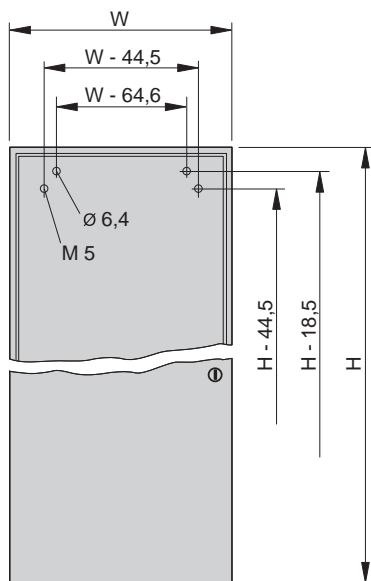
ServicePLUS see page 2.46

Wall mounted cases - INLINE

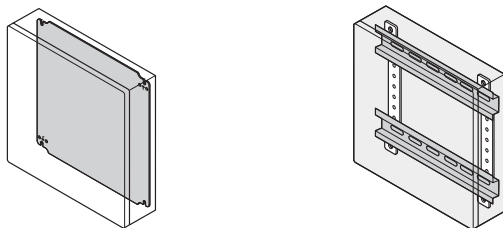
Installation case



40707002



40708055



40708052 40708057

May be expanded with mounting plate or support rails (with fixing rails)

- Type of protection IP 66
- Direct fitting of mounting plate
- Support rails fitted onto fixing rails (can optionally be pre-assembled outside case)
- Door opening angle 180°

Delivery comprises (assembled)

Item	Qty	Description
1	1	Basic case, St, 1.4 mm, RAL 7035
2	1	Door, St, 1.4 mm, RAL 7035, with gasket
3	1	Lock, 3 mm double bit, with key
4	1	Assembly kit

Order Information

Height H mm	Width W mm	Depth D mm	Weight kg	Part no.
200	200	80	2.0	12505-071
200	200	120	2.1	12505-081
300	200	80	2.5	12505-073
300	200	120	3.1	12505-083
300	300	120	4.2	12505-084
400	200	80	3.5	12505-074
400	200	120	4.1	12505-085
400	300	120	5.4	12505-086

Earthing kit

Wall mounting St, 2.6 mm, zinc-plated, incl. assembly kit and seal, PU 4 pieces 21101-836 12405-120

Note

- Other dimensions available on request
- A larger wall-mounted enclosure can be found in chapter CONCEPTLINE, see page 2.2
- Fixing rail see page 2.12
- Wall mounting see page 2.13
- Mounting plate see page 2.13
- Support rail see page 2.12



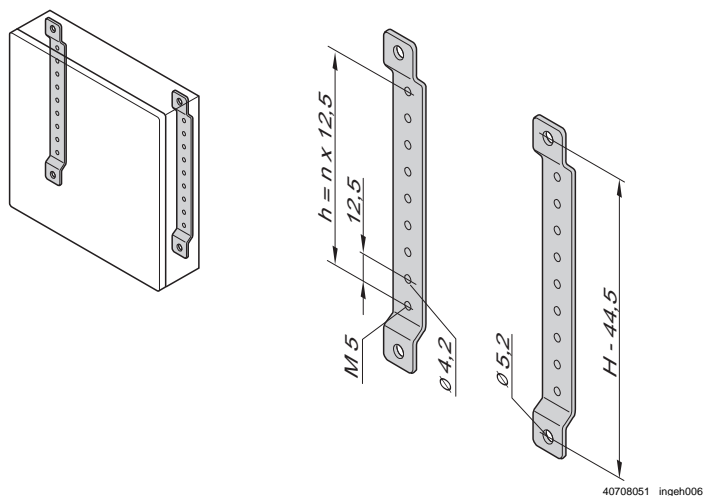
For further information www.schroff.biz/oneclick
oneClick search code = Part no.



ServicePLUS see page 2.46

Wall mounted cases - INLINE

Fixing rail for internal configuration



- Required for mounting support rails in installation case

Delivery comprises (kit)

Item	Qty	Description
1	2	Fixing rail, St, 3.4 mm, zinc-plated, assembly kit included in basic case

Order Information

Case height H mm	n	h mm	Part no.
200	8	100	LMK20
300	16	200	LMK30
400	24	300	LMK40

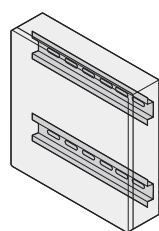
Note

- Support rail see below



For further information www.schroff.biz/oneclick
oneClick search code = Part no.

Support rail



- For assembly directly into terminal housing
- To assemble into installation case fixing rails are required
- 2 versions
 - TS 35/7.5 (EN 50022)
 - TS 35/15 (EN 50022)

Delivery comprises

40708050

Item	Qty	Description
1	4	Support rail, St, 1 mm, zinc-plated, assembly kit included in basic case

Order Information

40708058

Support rail length l mm	For cases Width W mm	Part no.	
		TS 35/7.5	TS 35/15
125	150	62405-001	62405-010
175	200	62405-002	62405-011
275	300	62405-003	62405-012
375	400	62405-004	62405-013

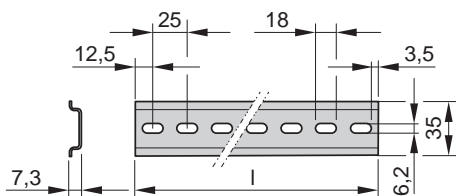
Note

- Fixing rail see above

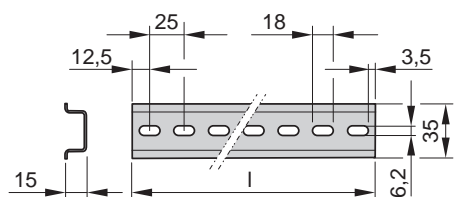
40708059



For further information www.schroff.biz/oneclick
oneClick search code = Part no.



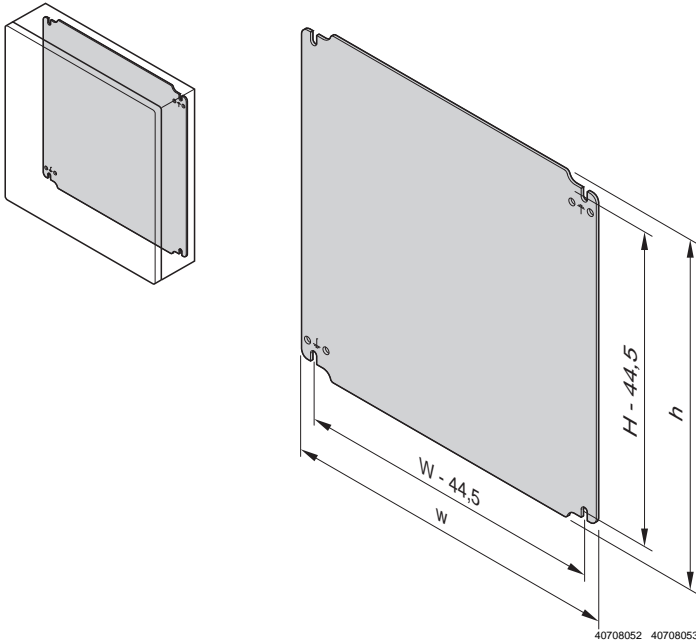
TS 35/7.5



TS 35/15

Wall mounted cases - INLINE

Mounting plate



- For terminal housing and installation case
- For assembly of electromechanical components

Delivery comprises

Item	Qty	Description
1	1	Mounting plate, St, 2.5 mm, zinc-plated, fixing materials kit included in basic case

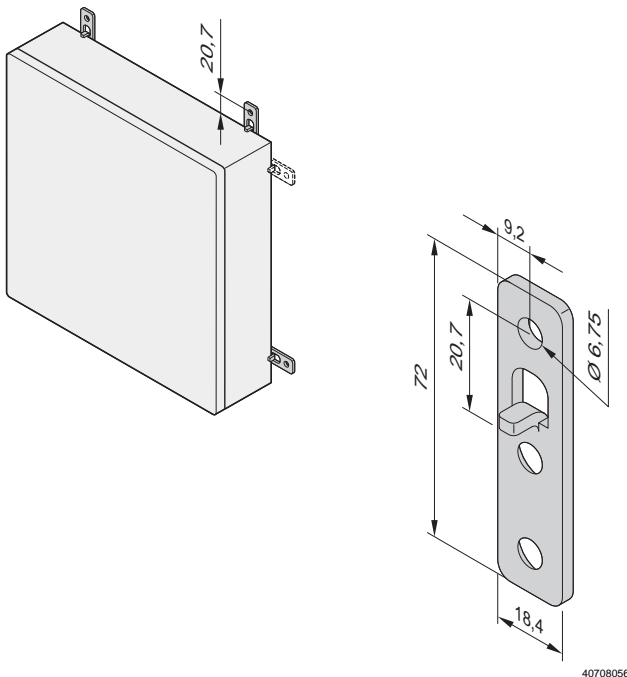
Order Information

Mounting plate		Weight	For cases		Part no.
Height h	Width w		Height H	Width W	
mm	mm	kg	mm	mm	
131	131	0.4	150	150	32405-024
131	281	0.7	150	300	32405-025
181	181	0.7	200	200	32405-026
181	281	1.1	200	300	32405-027
181	381	1.5	200	400	32405-028
181	481	1.7	200	500	32405-029
281	181	1.1	300	200	32405-033
281	281	1.5	300	300	32405-034
281	381	2.3	300	400	32405-035
381	181	1.4	400	200	32405-038
381	281	2.4	400	300	32405-039
381	381	3.1	400	400	32405-040



For further information www.schroff.biz/oneclick
oneClick search code = Part no.

Wall mounting



- For terminal housing and installation case

Delivery comprises

Item	Qty	Description
1	4	St, 2.6 mm, zinc-plated
2	1	Assembly kit with seals

Order Information

Description	Part no.
Wall mounting	12405-120



For further information www.schroff.biz/oneclick
oneClick search code = Part no.

Overview 0

Cabinets 1

Wall mounted cases 2

Accessories for cabinets and wall mounted cases 3

Climate control 4

Desk-top cases 5

Subracks/ 19" chassis ... 6

Front panels, plug-in units .. 7

Systems 8

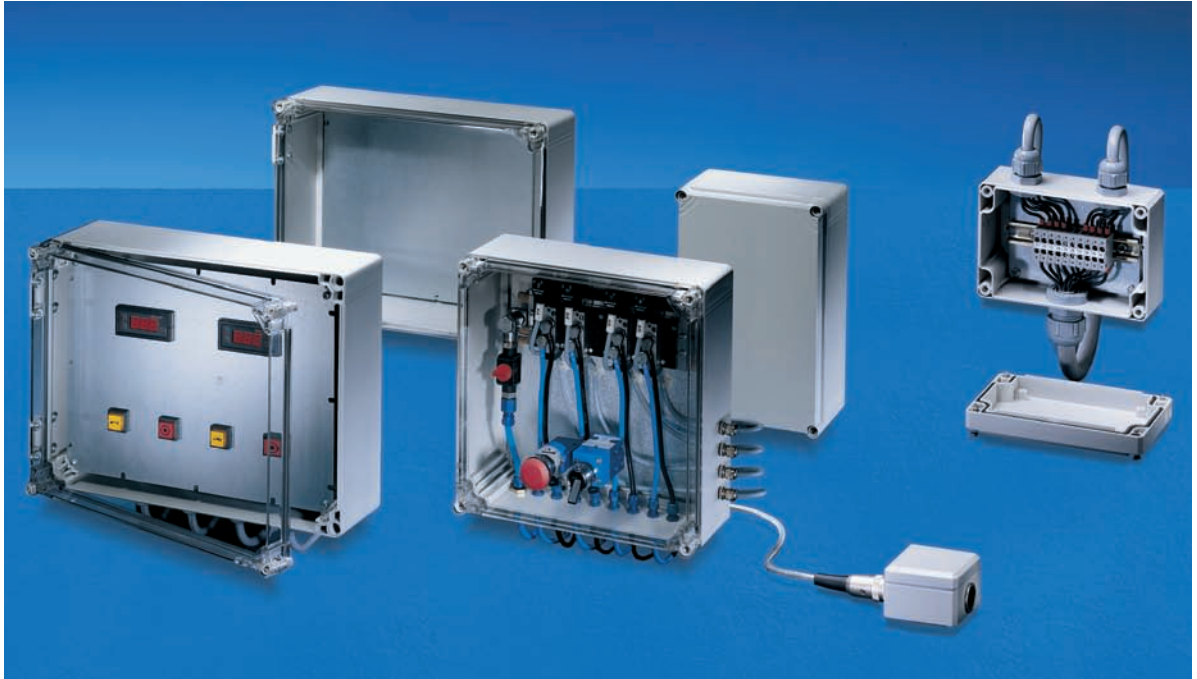
Power supply units 9

Backplanes .. 10

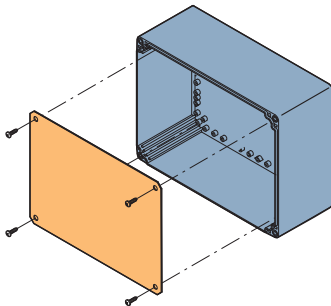
Connectors, front panel component system 11

Appendix 12

Wall mounted cases - QLINE

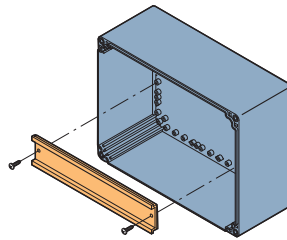


41505001

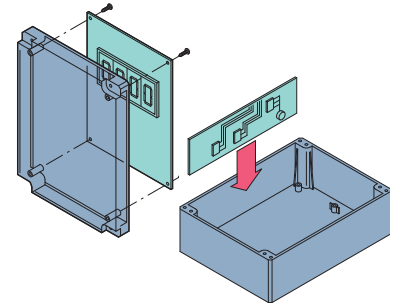


Mounting plate

qli024



Support rail



qli023

qld022 qld023

Boards can be fitted in cover or bottom section (QLINE-D)

Standards

- Type of protection IP 66 and IP 67 in accordance with IEC 60529
- UL 508 type 4, 12
- NEMA 250 type 4, 12
- CSA-C22.2 No. 94 type 4, 12



Wall mounted case for electronic components in rough industrial environment

- Robust, impact resistant plastic case made of Polycarbonate
- Protection types IP 66 and IP 67, designed for exterior applications
- To accommodate support rails and mounting plates



41505002

Case QLINE-I

- Dimensions from 200 x 200 x 130 mm to 300 x 400 x 180 mm
- Mounting plate steplessly depth-adjustable
- Covers are prepared for sealed cable entry



41505003

Small case QLINE-D

- Dimensions from 53 x 55 x 36 mm to 160 x 240 x 121 mm
- Simple fitting of boards in cover or bottom section
- Protective caps for cover screws



30407004

ServicePLUS from page 2.46

- e.g. special sizes
- e.g. fittings, conversions, cut-outs
- e.g. custom solutions

www.schroff.biz/ServicePLUS

QLINE-I

Case	2.16
Mounting plate	2.17
Support rail	2.17
Threaded insert M3	2.17

QLINE-D

Small case	2.18
----------------------	------

ServicePLUS . . 2.46

Wall mounted cases – QLINE-I

Case QLINE-I



41505002

- Type of protection IP 66 and IP 67
- Top covers are prepared for sealed cable entry
- Grooves for full depth-adjustable mounting plate
- Version with light grey (RAL 7035) or transparent cover

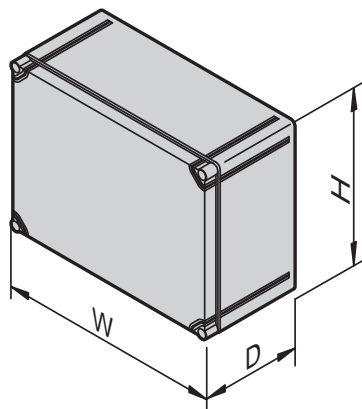


Delivery comprises

Item	Qty	Description
1	1	Plastic moulded case, Polycarbonate, RAL 7035
2	1	Cover, Polycarbonate, RAL 7035 or transparent
3	1	Assembly kit

Order Information

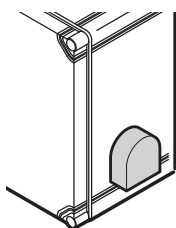
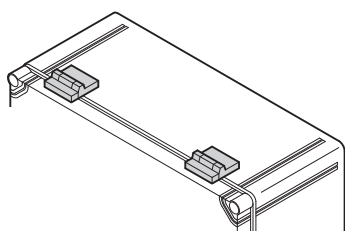
Height H mm	Width W mm	Depth D mm	Cover RAL 7035 Part no.	Cover transparent Part no.
200	200	130	-	Q202013PCICC
200	200	180	-	Q202018PCICC
200	300	130	Q302013PCI	Q302013PCICC
200	300	180	Q302018PCI	-
200	400	130	Q402013PCI	-
200	400	180	-	Q402018PCICC
300	300	130	Q303013PCI	Q303013PCICC
300	300	180	Q303018PCI	Q303018PCICC
300	400	130	Q403013PCI	Q403013PCICC
300	400	180	Q403018PCI	Q403018PCICC
Hinge kit for cover, PU 2 pieces				QIHK
Ventilation element Protection type IP 44, 1 piece				ANMV6
Wall mounting, PU 4 pieces				QIMFK



qli015

Hinge kit for top cover

Ventilation element



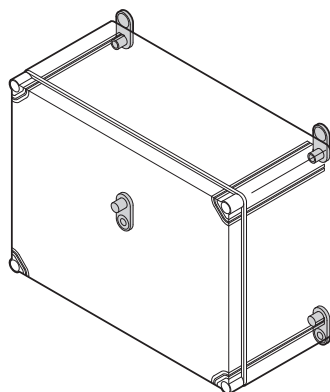
qli010 qli011

Note

- Other sizes and dimensions available on request
- Other material (ABS) available on request
- Please order mounting plate separately, see page 2.17



For further information www.schroff.biz/oneclick
oneClick search code = Part no.



qli009

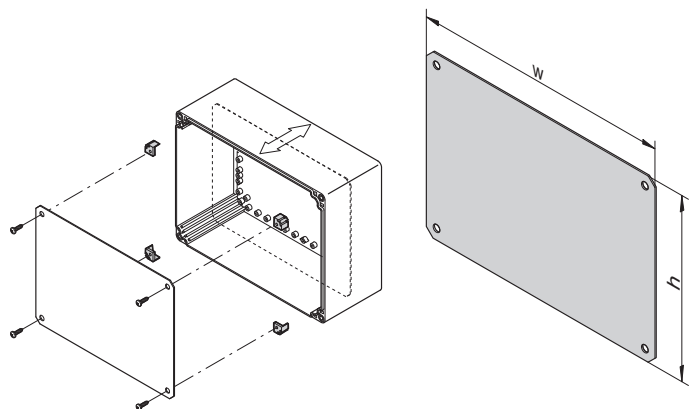
Wall mounting



ServicePLUS see page 2.46

Wall mounted cases – QLINE-I

Mounting plate



Depth-adjustable mounting plate

- For QLINE-I

Delivery comprises

Item	Qty	Description
1	1	Mounting plate, zinc-plated

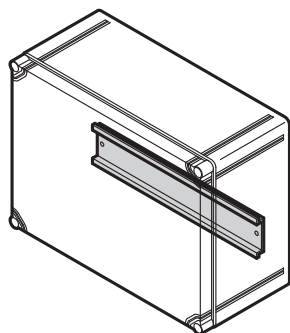
Delivery of basic case comprises self-tapping retention screws for rear panel assembly

Order Information

Mounting plate		For cases		Part no.
Height h mm	Width w mm	Height H mm	Width W mm	
160	160	200	200	Q2020PI
160	260	200	300	Q3020PI
160	360	200	400	Q4020PI
260	260	300	300	Q3030PI
260	360	300	400	Q4030PI

Assembly kit for depth-adjustment of mounting plate, PU 1 kit QIPDF

Support rail



QLI019

- For QLINE-I

Delivery comprises

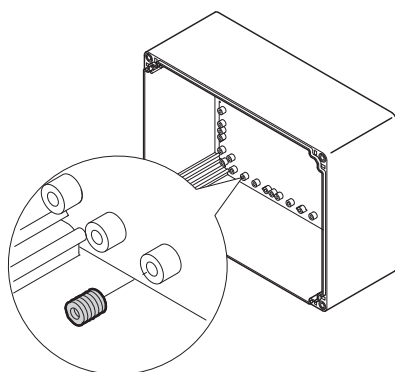
Item	Qty	Description
1	1	Support rail, TS 35/7.5, zinc-plated

Self-tapping retention screws included in extent of delivery of basic case

Order Information

For case width mm	Part no.
200	QIDR351505
300	QIDR352505
400	QIDR353505

Threaded insert M3



qli013

- For QLINE-I

- Where mounting plates or support rails are to be fitted and removed on a regular basis, we recommend the use of threaded inserts and M3 metric screws

Order Information

Description	Material	Qty/PU	Part no.
Threaded insert M3	Brass	4	QBIK



For further information www.schroff.biz/oneclick
oneClick search code = Part no.

Wall mounted cases - QLINE-D

Small case QLINE-D



41505003

- Type of protection IP 66 and IP 67
- Easy mounting of boards in cover or bottom section
- Protective caps for cover-screws

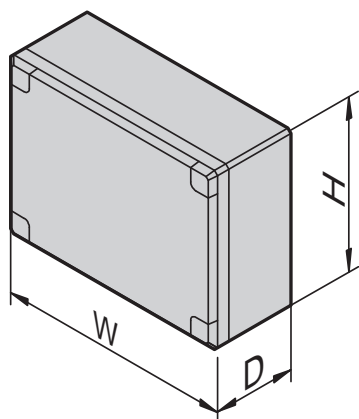


Delivery comprises

Item	Qty	Description
1	1	Plastic moulded case, Polycarbonate, RAL 7035
2	1	Cover, Polycarbonate, RAL 7035
3	1	Assembly kit

Order Information

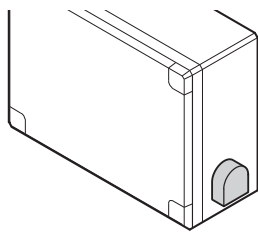
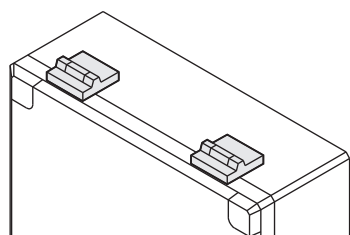
Height H mm	Width W mm	Depth D mm	Part no.
53	55	36	Q554PCD
80	82	56	Q886PCD
80	120	56	Q1286PCD
80	120	86	Q1289PCD
80	160	56	Q1686PCD
80	160	86	Q1689PCD
120	122	56	Q12126PCD
120	122	86	Q12129PCD
120	200	86	Q20129PCD
150	200	76	Q20158PCD
160	240	91	Q24169PCD
160	240	121	Q241612PCD
Hinge kit for cover Polyamide, PU 2 pcs			QDEHK
Ventilation element Protection type IP 44, 1 piece			ANMV6
Wall mounting bracket Polycarbonate, PU 4 pcs			QDMFK



qid015

Hinge kit for cover

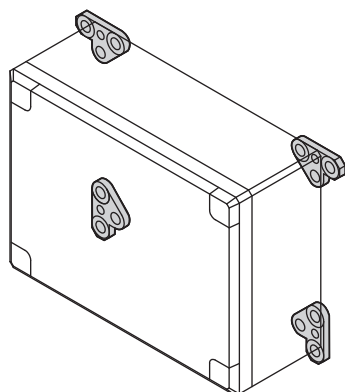
Ventilation element



QLD012 qld0114

Note

- Cases with transparent cover available on request
- Mounting plate or support rail available on request
- Other sizes and dimensions available on request
- Other material (ABS) available on request



QLD011

Wall mounting bracket



For further information www.schroff.biz/oneclick
oneClick search code = Part no.



ServicePLUS see page 2.46

Wall mounted cases - QLINE-D

Overview 0

Cabinets 1

Wall mounted cases 2

Accessories for cabinets and wall mounted cases 3

Climate control 4

Desk-top cases 5

Subracks/ 19" chassis ... 6

Front panels, plug-in units .. 7

Systems 8

Power supply units 9

Backplanes .. 10

Connectors, front panel component system 11

Appendix 12

Wall mounted cases - A48



40596001

Application/function

For use in high-corrosive surroundings like oil refineries and chemical plants, water purification and sea water plants, for galvanic surface processing and in agriculture.

Case and door are made of shockproof fibreglass reinforced polyester. The high IP protection (IP 66) is reached by circumferential knife edges, against which a foamed PU seal is pressed.



40596003

Patented quick release fastener, appropriate for padlocks and lead seals

Standards/Approvals

- EN 60529, IP66
- Inflammability, case UL 94-5V, glazed version UL 94 V-0, UL 508 type 4, 4x, 12 and 13
- Nema/EEMAC type 4, 4x, 12 and 13
- CSA type 4, 4x, 12 and 13



Downloads and further important information can be found on the Internet under www.schroff.biz

Wall mounted case for high-corrosive environment

- Fibreglass reinforced plastic
- Type of protection IP 66, designed for exterior applications
- Patented quick release fastener



Case with plain door

40505001



Case with glazed door

40596004



ServicePLUS from page 2.46

e.g. fittings, conversions, cut-outs
e.g. custom solutions

www.schroff.biz/ServicePLUS

30407004

A48

Case 2.22

Accessories

Mounting plate . . 2.23

Hinged mounting
plate 2.23

ServicePLUS . . 2.46

Wall mounted cases - A48

Case



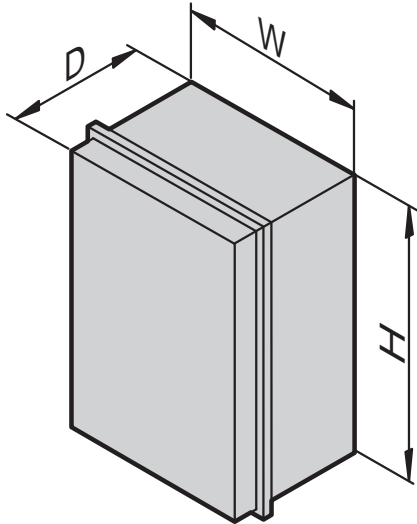
40505002

- Type of protection IP 66
- Optimally suited for
 - outdoor applications
 - highly corrosive environments
- Versions with glazed or plain door



Delivery comprises (assembled)

Item	Qty	Description
1	1	Case in fibreglass reinforced polyester, light grey
2a	1	Door in fibreglass reinforced polyester, light grey, window in GE Lexan Margard
2b	1	Door in fibreglass reinforced polyester, light grey
3	4	Wall mounting bracket
4	1	Assembly kit



A48GE011

Order Information

Height H mm	Width W mm	Depth D mm	With glazed door Part no.	With plain door Part no.
165	165	117	A664CHSCFGW	A664CHSCFG
216	165	117	A864CHSCFGW	A864CHSCFG
267	216	167	A1086CHSCFGW	A1086CHSCFG
318	267	167	A12106CHSCFGW	A12106CHSCFG
370	319	219	A14128CHSCFGW	A14128CHSCFG
420	370	219	A16148CHSCFGW	A16148CHSCFG
472	421	270	A181610CHSCFGW	A181610CHSCFG
Quick release fastener PU 2 pieces			AL48	



For further information www.schroff.biz/oneclick
oneClick search code = Part no.



40596003

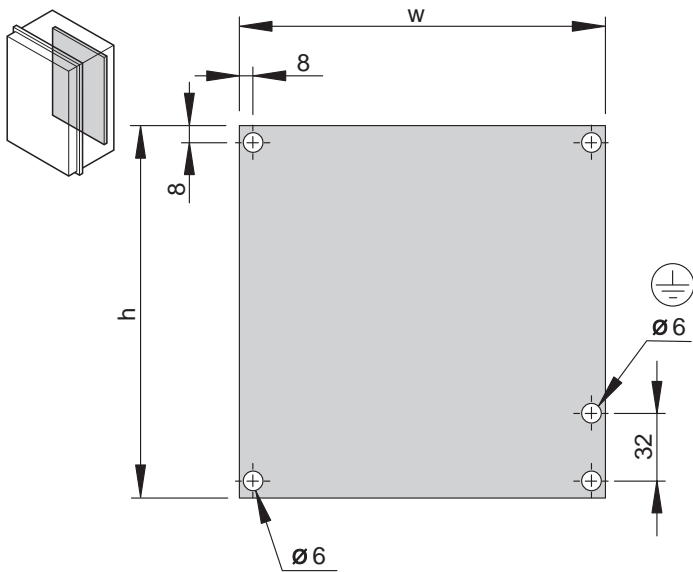
Quick release fastener



ServicePLUS see page 2.46

Wall mounted cases - A48

Mounting plate



- Fitting on the internal surface of the rear panel of the case

Delivery comprises

Item	Qty	Description
1	1	Mounting plate, St, 1.7 mm, zinc-plated

Order Information

Mounting plate		For cases		Part no.
Height h mm	Width w mm	Height H mm	Width W mm	
124	124	165	165	12403-150
171	124	216	165	12403-151
222	175	267	216	12403-152
273	226	318	267	12403-153
324	276	370	319	12403-154
375	327	420	370	12403-155
425	378	472	421	12403-156

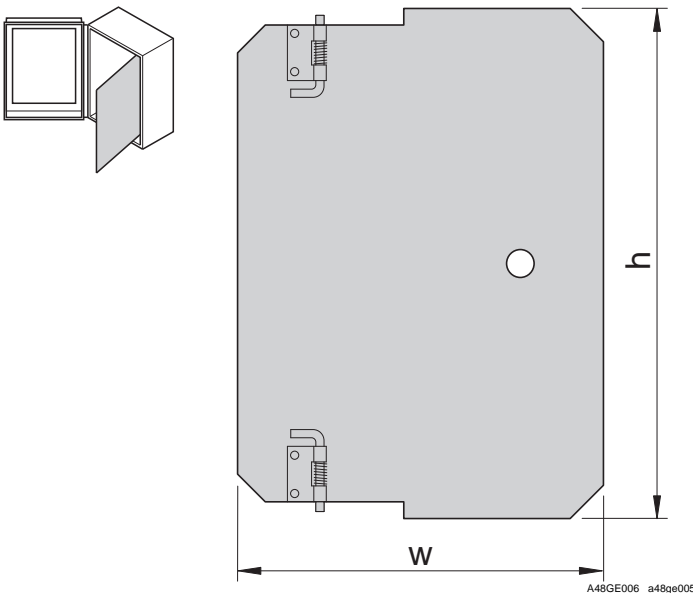
Note

- Fixing materials are supplied with case



For further information www.schroff.biz/oneclick
oneClick search code = Part no.

Mounting plate hinged



- Mounting to the front inside of the case (left or right)

Delivery comprises

Item	Qty	Description
1	1	Mounting plate, hinged, Al, 2 mm, raw

Order Information

Mounting plate		For cases		Part no.
Height h mm	Width w mm	Height H mm	Width W mm	
150	150	165	165	A6SPK6C
201	150	216	165	A8SPK6C
250	198	267	216	A10SPK8C
301	249	318	267	A12SPK10C
350	298	370	319	A14SPK12C
401	349	420	370	A16SPK14C
451	398	472	421	A18SPK16C

Note

- Fixing materials are supplied with case



For further information www.schroff.biz/oneclick
oneClick search code = Part no.

Overview 0

Cabinets 1

Wall mounted cases 2

Accessories for cabinets and wall mounted cases 3

Climate control 4

Desk-top cases 5

Subracks/ 19" chassis ... 6

Front panels, plug-in units .. 7

Systems 8

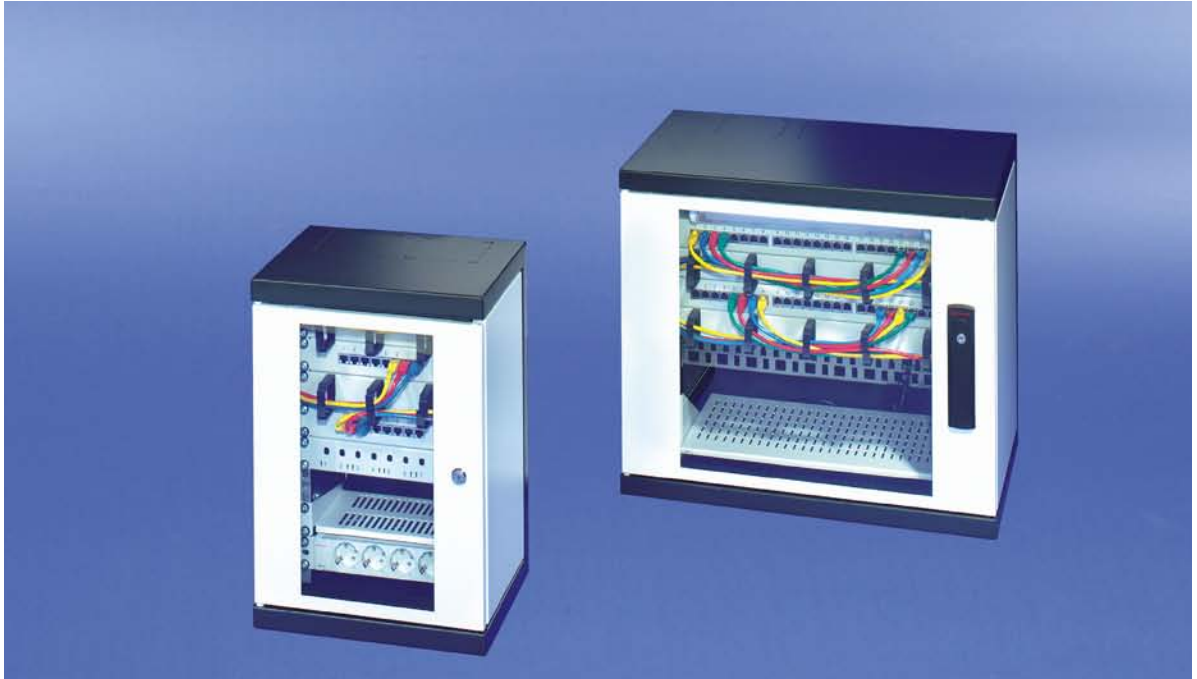
Power supply units 9

Backplanes .. 10

Connectors, front panel component system 11

Appendix 12

Wall mounted cases - *epcase*

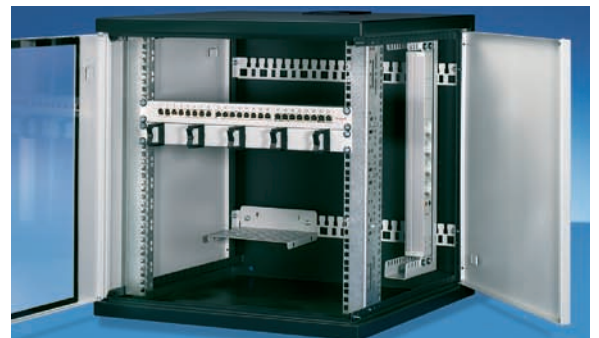


01505008



01506002

Hinged side panels for easy access

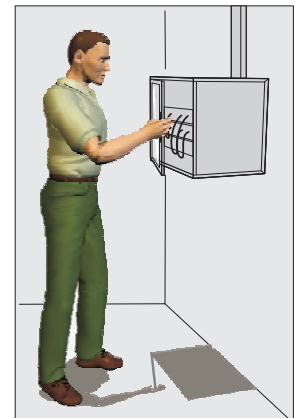
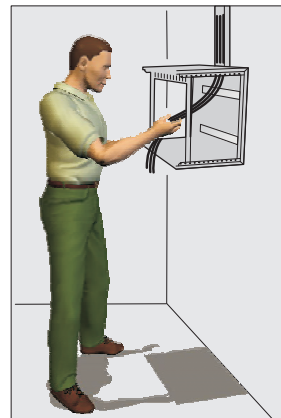
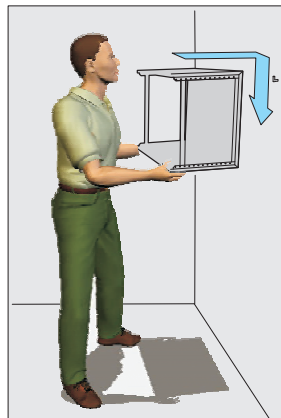


01505003

Optimum space utilisation due to an additional vertical 19" plane; fans retrofittable

Standards

- Type of protection IP 20
IEC 60529



01504051

Simple design and assembly: mounting, wiring, cladding



Downloads and further important information can be found on the Internet under www.schroff.biz

Low-cost wall mounted case

- Hinged side panels for easy access
- Completely pre-assembled
- Optimum space utilisation through depth-adjustable 19" slide mounts and an additional vertical 19" plane
- Type of protection IP 20



01506001

epcase 19"

- 19" assembly from 9 ... 20 U



01505006

epcase 10"

- 10" assembly from 4 ... 12 U

epcase 19"

19" wall mounted case	2.26
Fan	2.27
Protective grille	2.27
Air filter	2.28
Lever handle	2.28
19" equipment shelf	2.29
Modem shelf	2.30
Vertical 19" plane	2.30
Cable eye	2.31
Cable support rail	2.31
Short slide rail	2.31

epcase 10"

10" wall mounted case	2.32
Air filter	2.33
Equipment support	2.33
10" front panel	2.34
10" distribution field	2.34
10" socket strip 1 U, SCHUKO	2.35



30407004

ServicePLUS from page 2.46

- e.g. special colours, special sizes
- e.g. air conditioning
- e.g. fittings, conversions, cut-outs
- e.g. custom solutions

www.schroff.biz/ServicePLUS

ServicePLUS . . 2.46

Wall mounted cases - *epcase*

19" wall mounted case



01506002

- Multi functional 19" wall case with hinged side panels
- Cable entry possible from above or below; the cable entry opening can be sealed with two brush strips each, resp. can be used to assemble fan
- Cable support rail is included and is adjustable in 25 mm increments
- 19" panel/slide mounts are depth-adjustable in 25 mm increments
- Type of protection IP 20

Delivery comprises (assembled)

Item	Qty	Description
1	1	Basic case, C form, St, 2 mm, RAL 7021
2	1	Glazed door with key/lock (key no. 2233), door handle cut-out S2100, frame, St, 1.5 mm, RAL 7035, Sekurit glass 4 mm
3	2	Side panel, St, 1.5 mm, RAL 7035
4	1	Cable support rail, St, RAL 7035
5	2	19" slide mounts, St, 2 mm, finish AlZn
6	2	Brush strip (to cover cable entry opening)
7	1	Assembly kit for wall mounting

Order Information

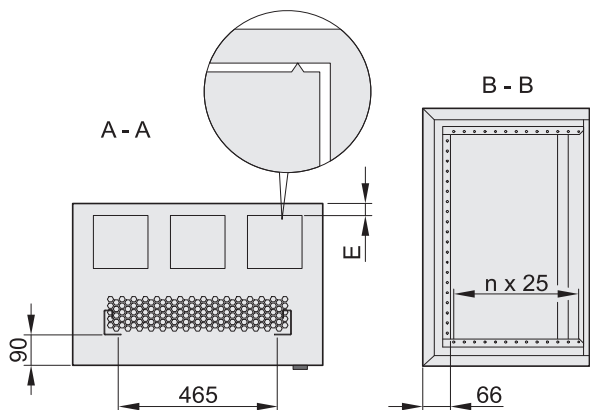
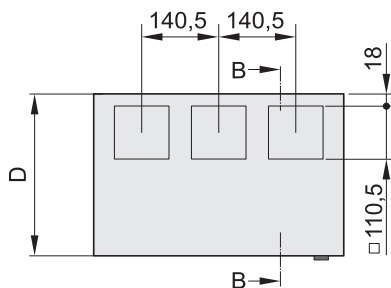
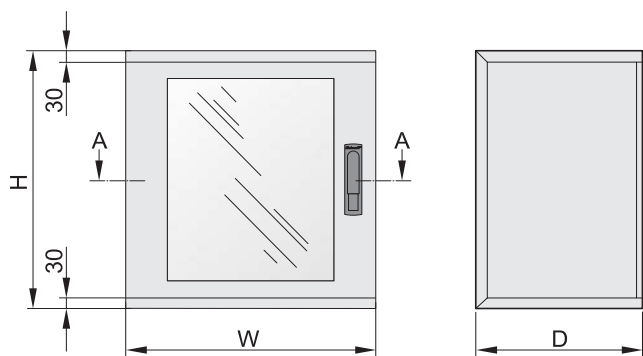
Height	Height H	Width W	Depth D	Depth E	Weight	Load-carrying capacity	Part no.
U	mm	mm	mm	mm	kg	kg	
9	487	600	300	18	18	60	10236-151
9	487	600	400	18	20	35	10236-152
12	612	600	400	18	24	35	10236-156
12	612	600	500	85	25	30	10236-157
16	812	600	400	18	28	35	10236-160
16	812	600	500	85	30	30	10236-161
16	812	600	600	85	32	25	10236-162
20	962	600	500	85	34	30	10236-165
20	962	600	600	85	38	25	10236-166
GND/earthing, PU 1 kit							21236-097
Brush strip, 1 piece							21236-094
Feet, plastic, black, PU 4 pieces							21236-089
Cable shell for cable bundle 30 ... 34 mm, PU 10 pieces							20114-728
Cable tie 92 mm x 2.5 mm, PU 25 pieces							20118-351
19" assembly kit (screw, washer, nut) (32 x M6 screws x 16, 32 x plastic washers, 32 x cage nuts)							21190-435

Note

- Lever handle for single point locking with DIN profile half cylinder is retrofittable, see page 2.28



For further information www.schroff.biz/oneclick
oneClick search code = Part no.



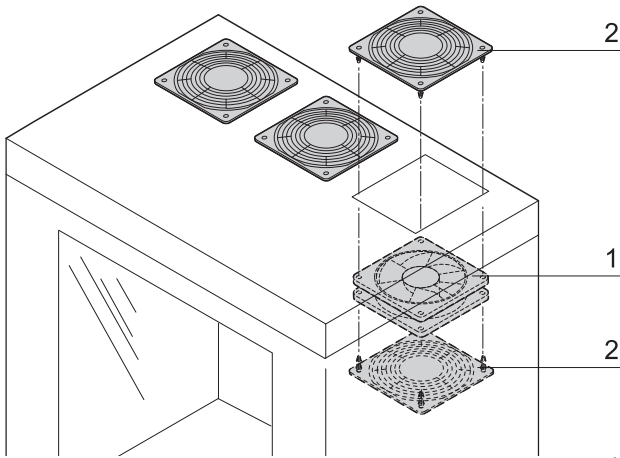
eca46458



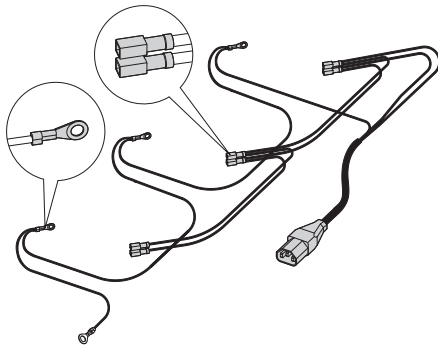
ServicePLUS see page 2.46

Wall mounted cases - *epcase*

Fan with covering grille, 230 V_{AC}



01503057



Connecting cable and earthing for 1 ... 3 fans

01505057

- For assembly in cable ducting openings (top/bottom)
- Assembly of fan by clipping in protective grilles
- Connect up to 3 fans via separate connecting cable

Delivery comprises

Item	Qty	Description
1	1	230 V _{AC} fan, dimensions 38 x 119 x 119 mm
2	2	Protective grille, plastic, black

Order Information

Description	Part no.
Fan with covering grille, 230 V _{AC}	21236-092
Connecting cable for 1 ... 3 fans IEC-320 male connector, 1 piece	21236-099
Thermostat with mains/line connector, 230 V _{AC} , SCHUKO/UTE connector, IEC-320 female connector, 1 piece	20118-750

Technical data

Frequency	50 Hz	60 Hz
Voltage	230 V _{AC}	230 V _{AC}
Air volume, unrestricted	162 m ³ /h	192 m ³ /h
Noise pressure level	37 dB(A)	41 dB(A)
Max. static pressure	73 Pa	88 Pa
Max. ambient temperature	+70 °C	+70 °C
Power consumption	15 W	14 W

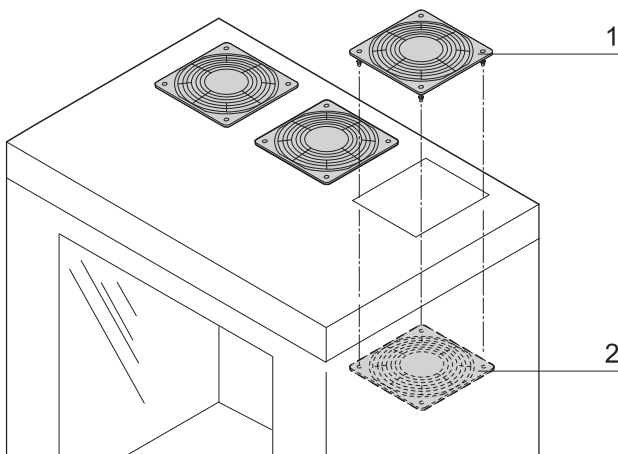
Note

- Please order connecting cable separately



For further information www.schroff.biz/oneclick
oneClick search code = Part no.

Protective grille



01505058

- For passive cooling
- To cover the opening

Delivery comprises

Item	Qty	Description
1	1	Protective grille with pins, plastic, black
2	2	Protective grille with cut-outs, plastic, black

Order Information

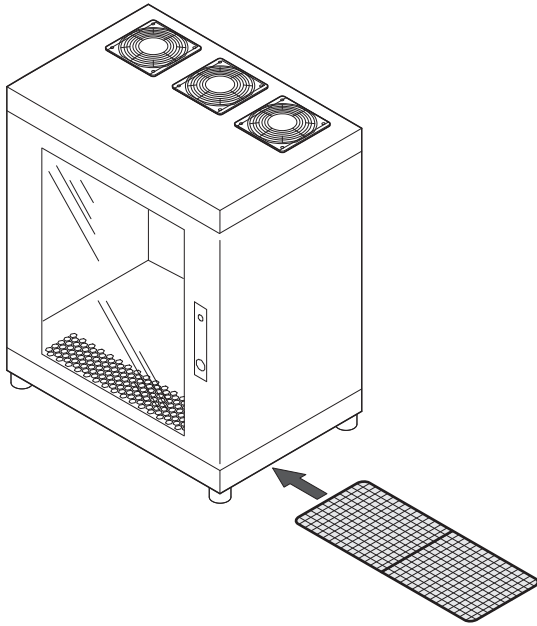
Description	Part no.
Protective grille	21236-127



For further information www.schroff.biz/oneclick
oneClick search code = Part no.

Wall mounted cases - *epcase*

Air filter for 19" wall mounted case



- Filtering of the inlet air at the case bottom
- Assembly beneath the case, easy filter replacement
- Filter class G3

Delivery comprises

Item	Qty	Description
1	2	Support bracket, St, 1 mm, RAL 7021
2	3	Filter mat with round steel frame, filter class G3
3	1	Assembly kit

Order Information

Description	Part no.
Air filter for case depth 300/400 mm	21236-103
Air filter for case depth 500/600 mm	21236-104
Replacement filter mat for case depth 300/400 mm, PU 3 pieces	21236-125
Replacement filter mat for case depth 500/600 mm, PU 3 pieces	21236-123

01505059



For further information www.schroff.biz/oneclick
oneClick search code = Part no.

Lever handle for single point locking



01005016

- For installation instead of key lock insert
- To open press push-button
- DIN profile half cylinder retrofittable

Delivery comprises

Item	Qty	Description
1	1	Lever handle for single point locking
2	1	Assembly kit

Order Information

Description	Part no.
Lever handle for single point locking	23130-067
DIN profile half cylinder, common locking for lever handle (1 key fits all locks) incl. 2 keys	25127-995

Note

- Other locks such as ASSA, KABA or RONIS available on request



For further information www.schroff.biz/oneclick
oneClick search code = Part no.

Wall mounted cases - *epcase*

19" equipment shelf, 1 U



- Static load-carrying capacity 5 kg
- Mounting height 1 U

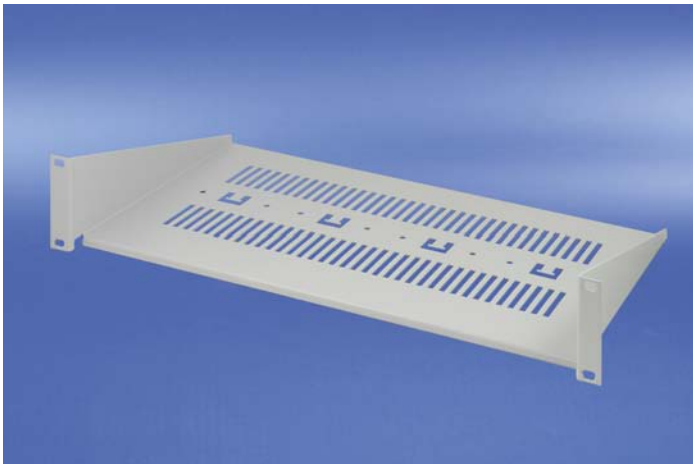
Delivery comprises

Item	Qty	Description
1	1	Equipment shelf, St, 1.5 mm

Order Information

Width mm	Depth mm	RAL 7035 Part no.
447	390	20118-783
19" assembly kit (screw, washer, nut) (4 x M6 screws x 16, 4 x plastic washers, 4 x cage nuts)		21190-095

19" equipment shelf, 2 U



- Static load-carrying capacity 10 kg
- Mounting height 2 U

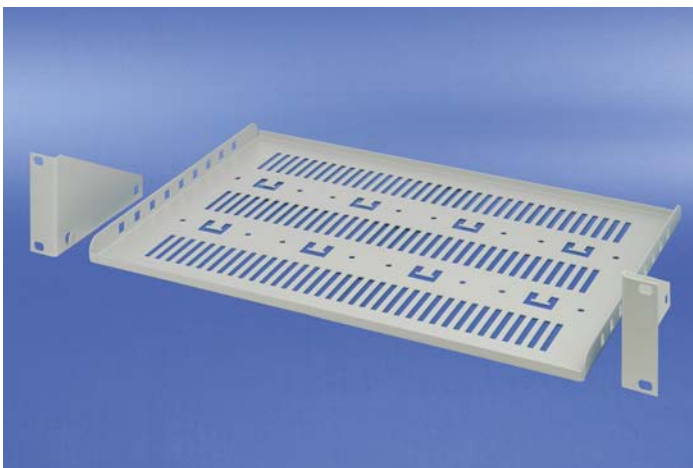
Delivery comprises

Item	Qty	Description
1	1	Equipment shelf, St, 1.5 mm

Order Information

Width mm	Depth mm	RAL 7035 Part no.
447	238	20118-785
19" assembly kit (screw, washer, nut) (4 x M6 screws x 16, 4 x plastic washers, 4 x cage nuts)		21190-095

19" equipment shelf, depth-adjustable, 2 U



- Static load-carrying capacity 15 kg
- Mounting height 2 U
- Depth-adjustable in 25 mm increments (front protrusion min. 26 mm)

Delivery comprises (kit)

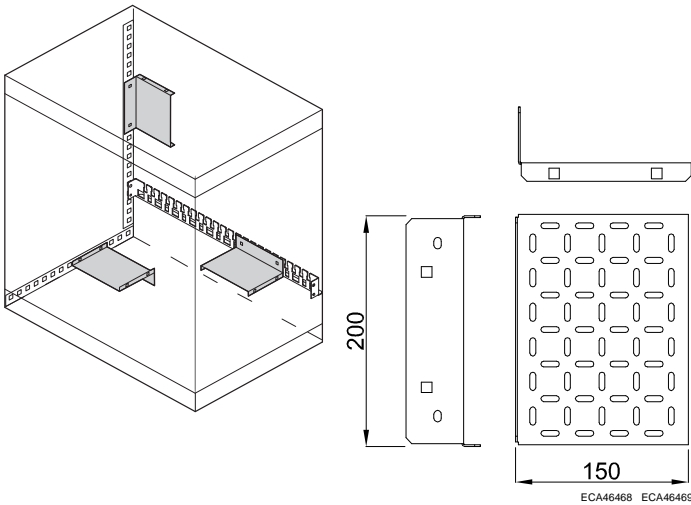
Item	Qty	Description
1	1	Equipment shelf, St, 1.5 mm
2	2	Mounting bracket with assembly kit, St, 1.5 mm

Order Information

Width mm	Depth mm	RAL 7035 Part no.
430	250	20118-789
430	300	20118-790
19" assembly kit (screw, washer, nut) (4 x M6 screws x 16, 4 x plastic washers, 4 x cage nuts)		21190-095

Wall mounted cases - *epcase*

Modem shelf



- For fixing modems and other devices
- Assembly onto the cable support rail or direct onto the case
- Static load-carrying capacity 3 kg

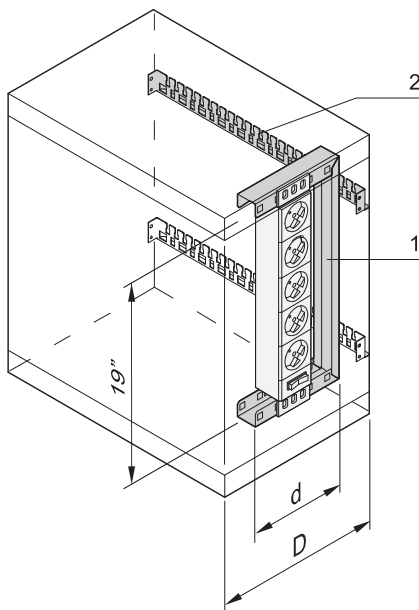
Delivery comprises

Item	Qty	Description
1	1	Modem shelf, St, 1.5 mm, RAL 7035
2	1	Assembly kit

Order Information

Width mm	Depth mm	Part no.
200	150	21236-122

Vertical 19" plane



- For lateral, vertical assembly of 19" components
- Useable for case heights from 12 U

Delivery comprises (kit)

Item	Qty	Description
1	1	Vertical 19" plane, St, 2 mm, RAL 7035
2	1	Cable support rail, St, RAL 7035
3	1	Assembly kit

Order Information

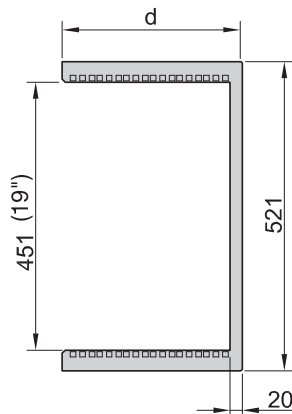
Height U	d mm	For case depth D mm	Part no.
3	167	300 ... 600	21236-120
6	300	400 ... 600	21236-121



For further information www.schroff.biz/oneclick
oneClick search code = Part no.

Assembly example with 19" socket strip

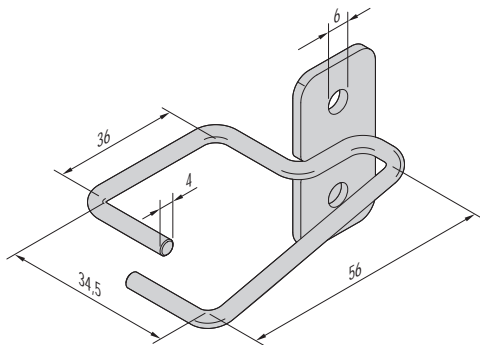
01505062



ECA46477

Wall mounted cases - *epcase*

Cable eye



01505051

- For cable fixing/ducting laterally on the panel slide mounts

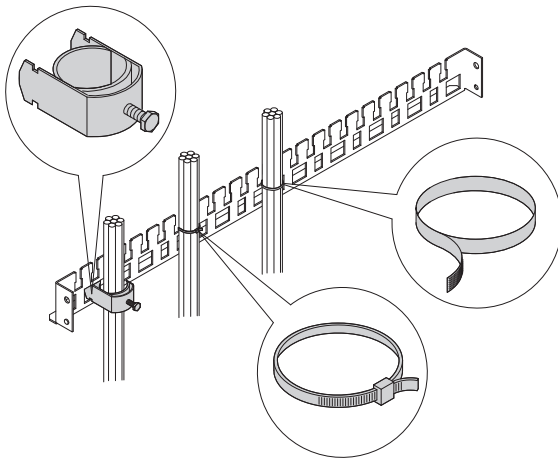
Delivery comprises

Item	Qty	Description
1	4	Cable eye, St, 4 mm, zinc-plated
2	1	Assembly kit

Order Information

Description	Part no.
Cable eye	21236-102

Cable support rail



01505052

- For strain relief or cable ducting on rear
- Height-adjustable in 25 mm increments

Delivery comprises

Item	Qty	Description
1	1	Cable support rail, St, 1.5 mm, RAL 7035
2	1	Assembly kit

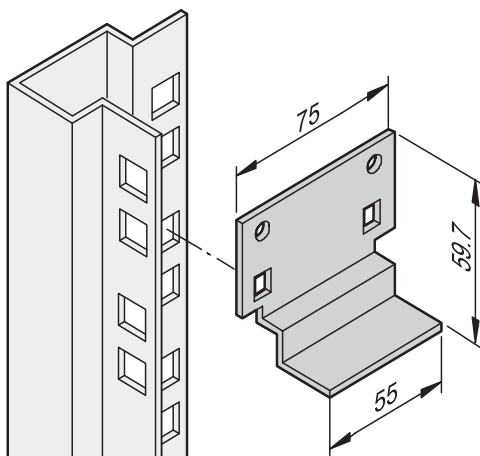
Order Information

Description	Part no.
Cable support rail	21236-090
Cable shell for cable bundle 30 ... 34 mm, PU 10 pieces	20114-728
Cable tie 92 mm x 2.5 mm, PU 25 pieces	20118-351
Velcro strip Polyethylen/Polyamide, black, length 300 mm, PU 10 pieces	20118-624

Note

- A cable support rail is already supplied with the 19" wall mounted case

Short slide rail



sc96xxxx

- Support for heavy 19" chassis
- To attach on 19" slide mounts
- Static load-carrying capacity max. 15 kg per pair

Delivery comprises

Item	Qty	Description
1	2 / 10	Short slide rail, St, 1.5 mm, finish AlZn
2	1	Assembly kit

Order Information

Description	Qty/PU	Part no.
Short slide rail	2	23130-094
Short slide rail	10	23130-095



For further information www.schroff.biz/oneclick
oneClick search code = Part no.

Wall mounted cases - *epcase*

10" wall mounted case



01505007

- Multi-functional 10" wall case with hinged side panels
- Cable entry possible from above or below; the cable entry opening can be sealed with a brush strip
- 10" slide mounts are depth-adjustable in 25 mm increments

Delivery comprises (assembled)

Item	Qty	Description
1	1	Basic case, C-form, St, 2 mm, RAL 7021
2	1	Glazed door with key lock (key no. 2233), frame, St, 1.5 mm, RAL 7035, Sekurit glass, 4 mm
3	2	Side panel, St, 1,5 mm, RAL 7035
4	2	10" panel/slide mounts, St, 1.5 mm, finish AlZn
5	2	Brush strips
6	1	Assembly kit for wall mounting

Order Information

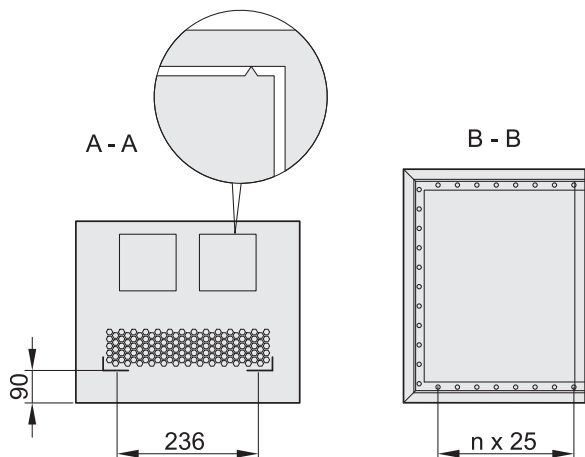
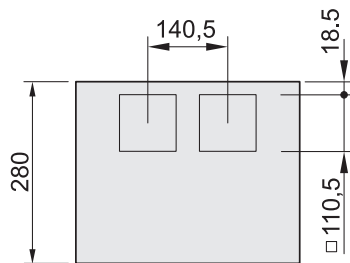
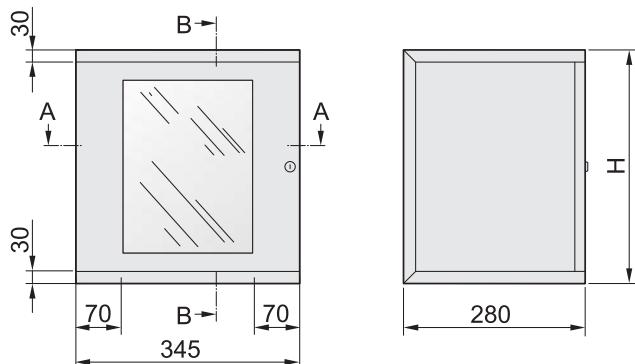
Height U	Height H mm	Width W mm	Depth D mm	Weight kg	Part no.
4	262	345	280	5	10238-151
8	462	345	280	10	10238-152
12	612	345	280	23	10238-153
GND/earthing, PU 1 kit					21236-097
Cable tie 92 mm x 2.5 mm, PU 25 pieces					20118-351
19" assembly kit (screw, washer, nut) (32 x M6 screws x 16, 32 x plastic washers, 32 x cage nuts)					21190-435
Feet, plastic, black, PU 4 pieces					21236-089

Note

- Lever handle and DIN profile half cylinder cannot be retrofitted



For further information www.schroff.biz/oneclick
oneClick search code = Part no.



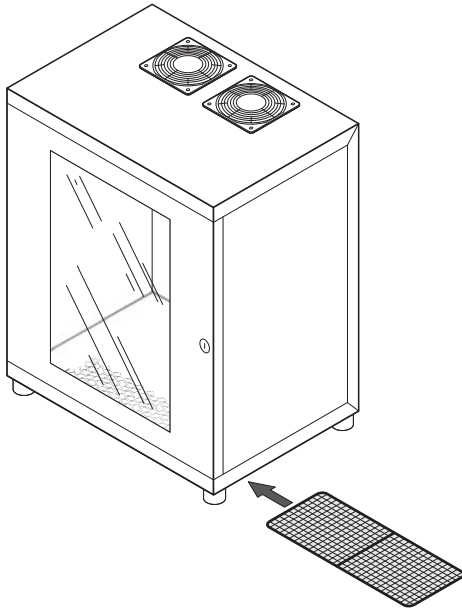
eca46478



ServicePLUS see page 2.46

Wall mounted cases - *epcase*

Air filter for 10" wall mounted case



01506050

- Filtering of the inlet air at the case bottom
- Assembly beneath the case, easy filter replacement
- Filter class G3

Delivery comprises

Item	Qty	Description
1	2	Support bracket, St, 1 mm, RAL 7021
2	3	Filter mat with round steel frame, filter class G3
3	1	Assembly kit

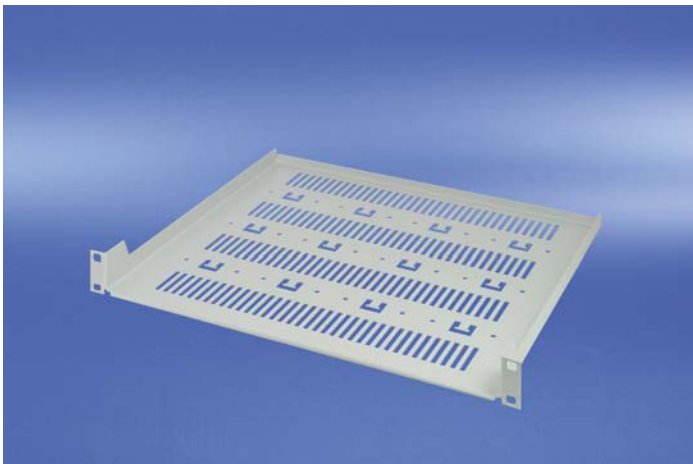
Order Information

Description	Part no.
Air filter for 10" wall mounted case	21236-095
Replacement filter mat for 10" wall mounted case PU 3 pieces	21236-126



For further information www.schroff.biz/oneclick
oneClick search code = Part no.

Equipment shelf for 10" wall mounted case



00508006

- Static load-carrying capacity 5 kg
- Mounting height 1 U
- Width 10" (254 mm)

Delivery comprises

Item	Qty	Description
1	1	Equipment shelf, St, 1.5 mm, RAL 7035
2	1	Assembly kit

Order Information

Width mm	Depth mm	Part no.
220	150	20118-716



For further information www.schroff.biz/oneclick
oneClick search code = Part no.

Wall mounted cases - *epcase*

10" distribution field



01504002

- Distribution field with 8 x RJ 45 ports, category 5
- Height 1 U
- Width 10" (254 mm)

Delivery comprises

Item	Qty	Description
1	1	Distribution field, St, 1.5 mm, RAL 7035
2	8	RJ 45 Port

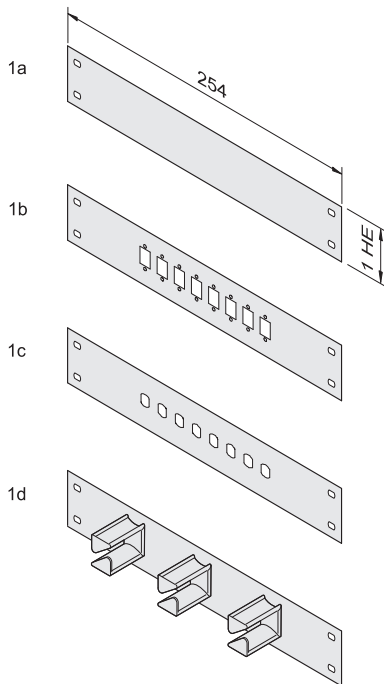
Order Information

Description	Part no.
10" distribution field with 8 x RJ 45 ports	60118-378
Assembly kit PU = 8 x screw, washer, nut	21100-435



For further information www.schroff.biz/oneclick
oneClick search code = Part no.

10" front panels



01503053

- Height 1 U
- Width 10" (254 mm)

Delivery comprises

Item	Qty	Description
1	1	Front panel, St, 1.5 mm, RAL 7035

Order Information

Item	Description	Qty/PU	Part no.
1a	10" blank front panel, St, 1.5 mm, RAL 7035	1	20118-717
1b	10" front panel, 8 ports SC, St, 1.5 mm, RAL 7035	1	20118-713
1c	10" front panel, 8 ports ST, St, 1.5 mm, RAL 7035	1	20118-714
1d	10" front panel with 3 plastic cable eyes, St, 1.5 mm, RAL 7035	1	20118-715
Assembly kit PU = 8 x screw, washer, nut			21100-435



For further information www.schroff.biz/oneclick
oneClick search code = Part no.

Wall mounted cases - *epcase*

10" socket strip, 1 U



00704001

- Socket strip with four socket inserts
- Bracket for mounting on 10" upright is included

Delivery comprises

Item	Qty	Description
1	1	Socket strip 10", 1 U, 4 socket inserts, 2 m connecting cable with SCHUKO/UTE connector
2	2	Mounting bracket for 10" assembly

Order Information

Description	Part no.
10" socket strip, 4 SCHUKO socket inserts	60110-201
Socket strip 10", 4 UTE socket inserts	60110-220
Assembly kit PU = 8 x screw, washer, nut	21100-435



For further information www.schroff.biz/oneclick
oneClick search code = Part no.

- Overview 0
- Cabinets 1
- Wall mounted cases 2**
- Accessories for cabinets and wall mounted cases 3
- Climate control 4
- Desk-top cases 5
- Subracks/ 19" chassis ... 6
- Front panels, plug-in units .. 7
- Systems 8
- Power supply units 9
- Backplanes .. 10
- Connectors, front panel component system 11
- Appendix 12

Wall mounted cases - LAN wall mounted



41801004



41804001

Door and side panels easily removable



41801005

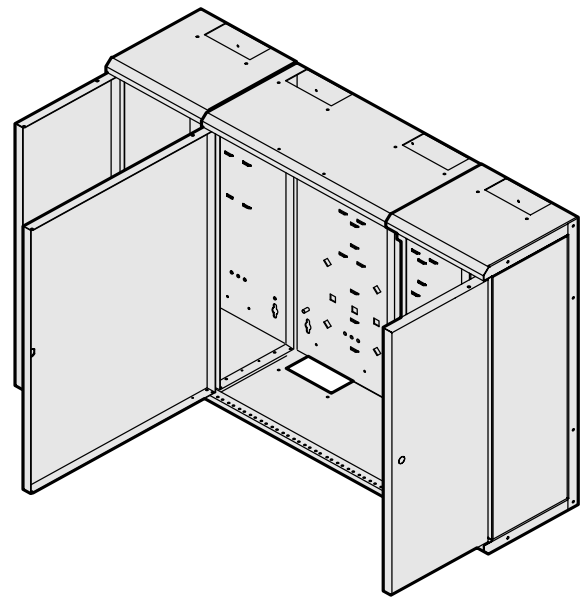
Vertical 19" plane, therefore low case depth



41801006

Storage of excess cable length

Modularity due to basic case and side-by-side modules



VTLW6672

Downloads and further important information can be found on the Internet under www.schroff.biz



Slim wall mounted cases

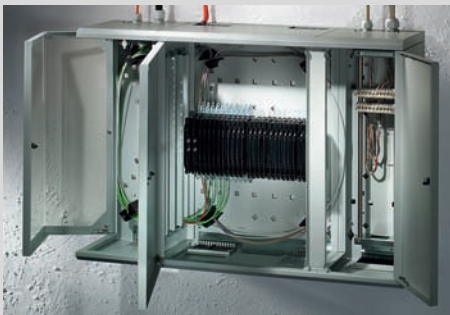
- Ideal as fibre optic cable distributor, 4 U wall distributor or as combination of fibre optic cable, copper and telephone distributor
- Optimal ducting of fibre optic cables
- Door and side panels easily removable
- Upgradeable with side-by-side modules



41801006

Fibre optic small case

- Prepared to accommodate up to four splicing cassettes
- Low cabinet depth of 85 mm



41801017

Wall distributor, modular

- Modularity due to basic case and side-by-side modules
- Combination of fibre optic cable, copper or telecommunication applications possible
- Low installation depth of 220 mm due to vertical 19" plane



41802002

Wall distributor, 4 U, vertical

- Low installation depth of 220 mm due to vertical 19" plane
- Corner door with lateral acrylic glass
- Fan retrofittable



30407004

ServicePLUS from page 2.46

- e.g. special colours, special sizes
- e.g. air conditioning
- e.g. fittings, conversions, cut-outs
- e.g. custom solutions

www.schroff.biz/ServicePLUS

Small case
 Small case 2.38
 Cable ducting for fibre cable 2.38
 Insertion plate for splicing cassettes 2.39
 Splicing cassette 2.39

Modular wall mounted distributor
 Basic case 2.40
 Side-by-side module 2.41
 Basic cable ducting 2.41
 Splicing cassette holder 2.42
 Splicing cassette 2.42
 LSA+ bracket ... 2.43
 Locking insert .. 2.43
 19" bracket 2.43

Wall mounted 4 U distributor
 Wall mounted 4 U distributor .. 2.44
 Cable ducting for fibre cable 2.45

ServicePLUS .. 2.46

Wall mounted cases – LAN wall mounted

Fibre optic small case



41801003

- For distribution of fibre optic main cables or as office distributor
- Space for max. 48 fibres

Delivery comprises (assembled)

Item	Qty	Description
1	1	Case, St, 1.5 mm, RAL 7035, 2 cable ducting openings each top and bottom (without cover)
2	2	Side panel, St, 1 mm, RAL 7035, hinged
3	1	Door, St, 1 mm, RAL 7035, with locking insert 2233-x
4	1	Quadruple splicing cassette holder
5	1	Assembly kit for wall mounting (distance from wall 6.5 mm)

Order Information

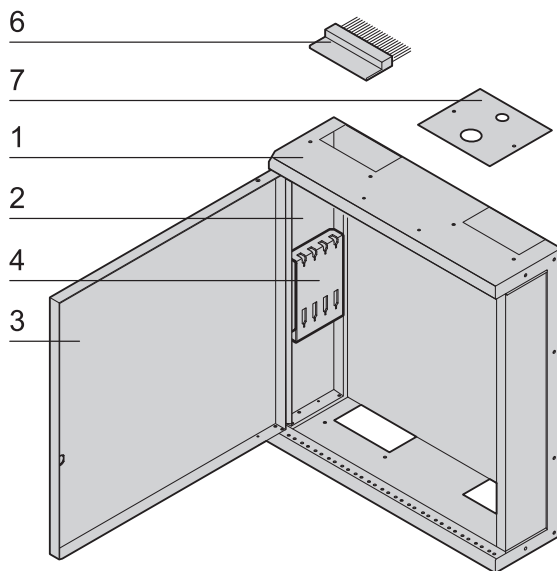
Height mm	Width mm	Depth mm	Part no.
300	300	85	60239-006

Item 6 Brush strip for fibre optic small case, self-adhesive, PU 2 pieces 60239-030

Item 7 Cable ducting plate for fibre optic small case, St, 1 mm, zinc-plated, PU 2 pieces 60239-025

Note

- To cover cable through-ducting openings please order either brush strip or cable through-ducting plate separately
- Push-on plate for splicing cassette, see page 2.39
- Splicing cassettes, see page 2.39



vtlw6684

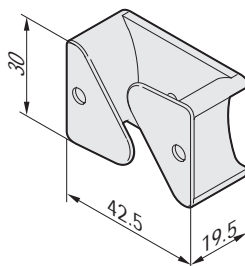


ServicePLUS see page 2.46



For further information www.schroff.biz/oneclick
oneClick search code = Part no.

Cable ducting for fibre cable



41804051

- For cable ducting with necessary bending radius

Order Information

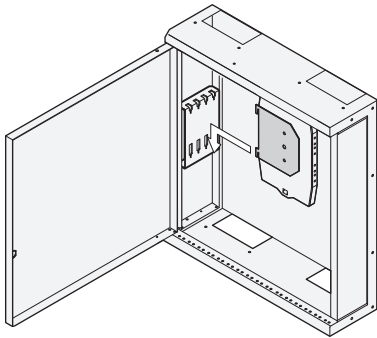
Description	Part no.
Cable ducting for fibre cable, plastic, black, PU 4 pieces	60239-020



For further information www.schroff.biz/oneclick
oneClick search code = Part no.

Wall mounted cases – LAN wall mounted

Insertion plate for splicing cassettes



- The splicing cassette is assembled on the push-on plate and subsequently inserted in the splicing cassette holder

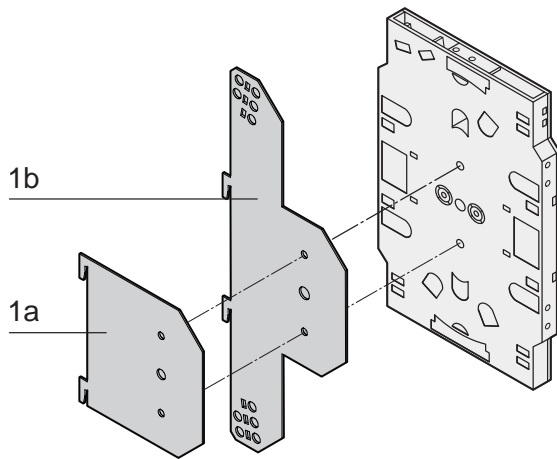
Delivery comprises

Item	Qty	Description
1	4	Push-on plate, St, 1 mm, zinc-plated
2	8	Holding clip for splicing cassette

Order Information

Item	Description	Part no.
Item 1a	Push-on plate without cable ducting	60239-013
Item 1b	Push-on plate with cable ducting for cable ties	60239-014

41806050

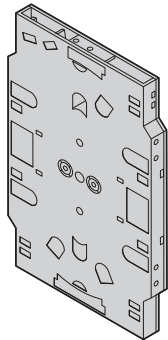


VTLW6678



For further information www.schroff.biz/oneclick
oneClick search code = Part no.

Splicing cassette



- Accepts a maximum of 12 splices to the telecom standard
- Fibre optic cable splicing cassettes to DIN 47662

Delivery comprises

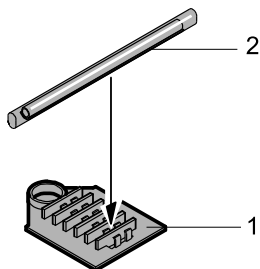
Item	Qty	Description
1	1	Splicing cassette, plastic, cream white
2	1	Cover, plastic, cream white
3	4	Cable ties

Order Information

Description	Part no.
Splicing cassette	60239-062
Item 1 Splice holder, PU 10 pieces	21101-122
Item 2 Splice protection sleeve, length 60 mm, PU 6 pieces	21101-123

VTLW6679

Splicing cassette



Splice holder (1), splice protection sleeve (2)

Note

- Please order splice holder and splice protection sleeves separately



For further information www.schroff.biz/oneclick
oneClick search code = Part no.

vflw6680

Wall mounted cases – LAN wall mounted

Wall distributor, modular



41801002

The modular case system is used as sub or floor level distributor, for fibre optic applications as well as for distribution of copper or telecommunication applications.

The 220 mm deep basic cases can be extended with side-by-side modules and accessories.

Basic case



41801001

- To accommodate splicing cassette holders, LSA+ holder and/or 19" bracket
- Room for max. 288 fibres and excess cable lengths of up to 1 m

Delivery comprises (assembled)

Item	Qty	Description
1	1	Case, St, 1.5 mm, RAL 7035, 2 cable ducting openings each top and bottom (without cover)
2	2	Side panel, St, 1 mm, RAL 7035, hinged
3	1	Door, St, 1 mm, RAL 7035, with locking insert 2233-x
4	1	Assembly kit for wall mounting (distance from wall 6.5 mm)

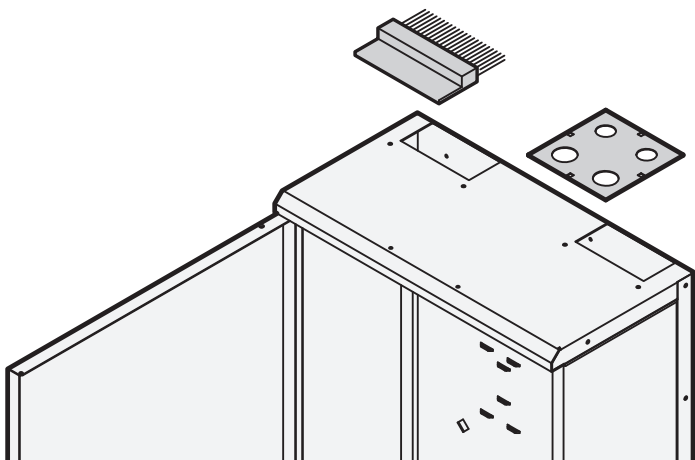
Order Information

Height mm	Width mm	Depth mm	Part no.
600	425	220	60239-001

GND/earthing kit for wall mounted distributor, sufficient for one basic case and two side-by-side modules 60239-060

Brush strip for wall mounted distributor self-adhesive, PU 2 pieces 60239-031

Cable ducting plate for wall mounted distributor PU 2 pieces 60239-026



VTLW6682



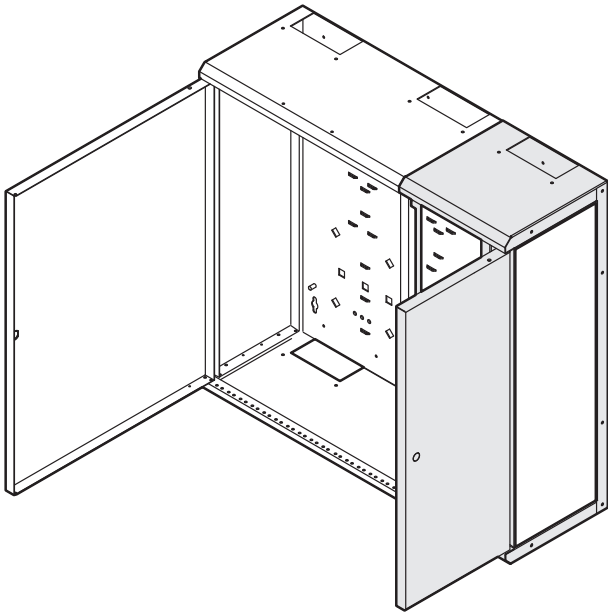
For further information www.schrock.biz/oneclick
oneClick search code = Part no.



ServicePLUS see page 2.46

Wall mounted cases – LAN wall mounted

Side-by-side module



VTLW6673

- For side-by-side mounting to basic case, selectively on the right or left
- To accommodate splicing cassette holders or LSA+ holder

Delivery comprises (assembled)

Item	Qty	Description
1	1	Side-by-side module, St, 1.5 mm, RAL 7035, 2 cable ducting openings top and bottom
2	1	Door, St, 1 mm, RAL 7035, with locking insert
3	1	Door post
4	1	Assembly kit

Order Information

Height mm	Width mm	Depth mm	Part no.
600	225	220	60239-004

Brush strip for wall mounted distributor
self-adhesive, PU 2 pieces 60239-031

Cable ducting plate for wall mounted distributor
PU 2 pieces 60239-026

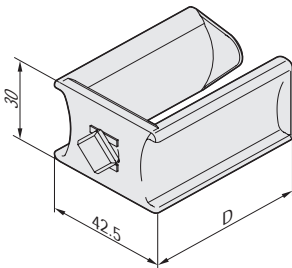


ServicePLUS see page 2.46



For further information www.schroff.biz/oneclick
oneClick search code = Part no.

Basic case cable ducting



41804050

- For cable ducting with necessary bending radius
- Assembly by inserting into rear panel of case, then given a quarter turn
- Usable in basic case and side-by-side module

Order Information

Description	Part no.
Basic cable ducting, plastic, black, depth D = 55 mm, PU 4 pieces	60239-021

Note

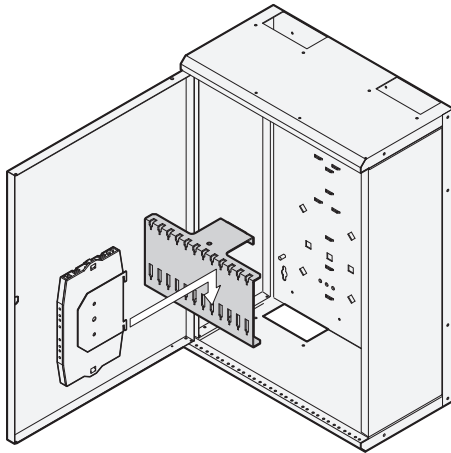
- Cannot be used in fibre optic small case nor in 4 U wall mounted distributor



For further information www.schroff.biz/oneclick
oneClick search code = Part no.

Wall mounted cases – LAN wall mounted

Splicing cassette holder



- To accommodate 12 splicing cassettes that are also mounted on push-on plates
- Splicing cassette holder is mounted and secured on rear wall of case
- Screw-free fitting

Order Information

Description	Part no.
Splicing cassette holder	12-fold, St, 1 mm, zinc-plated, 1 piece 60239-012
Item 1a Push-on plate without cable ducting	60239-013
PU 4 pieces	
Item 1b Push-on plate with cable ducting for cable ties	60239-014
PU 4 pieces	
Cable tie 92 mm x 2.5 mm, PU 25 pieces	20118-351

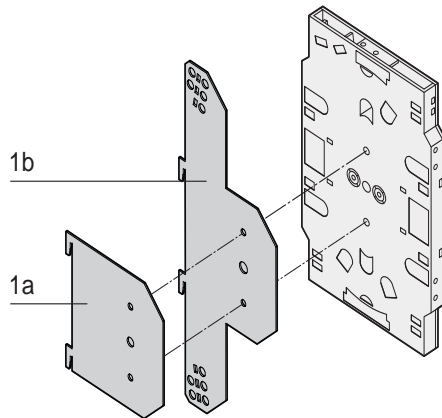
VTLW6677

Note

- Please order push-on plates separately



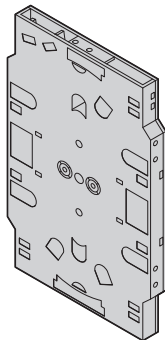
For further information www.schroff.biz/oneclick
oneClick search code = Part no.



Push-on plates

VTLW6678

Splicing cassette



Splicing cassette

- Accepts a maximum of 12 splices to the telecom standard
- Fibre optic cable splicing cassettes to DIN 47662

Delivery comprises

Item	Qty	Description
1	1	Splicing cassette, plastic, cream white
2	1	Cover, plastic, cream white
3	4	Cable ties

Order Information

Description	Part no.
Splicing cassette	60239-062
Item 1 Splice holder, PU 10 pieces	21101-122
Item 2 Splice protection sleeve, length 60 mm, PU 6 pieces	21101-123

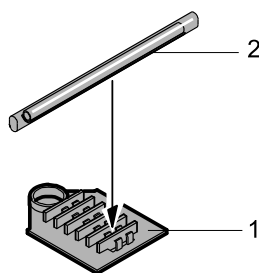
Note

- Please order splice holder and splice protection sleeves separately



For further information www.schroff.biz/oneclick
oneClick search code = Part no.

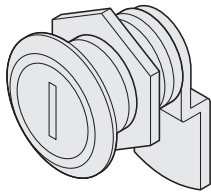
VTLW6679



Splice holder (1), splice protection sleeve (2)

Wall mounted cases – LAN wall mounted

Locking insert for basic case and side-by-side module



41804054

- For replacement of basic case or side-by-side module inserts

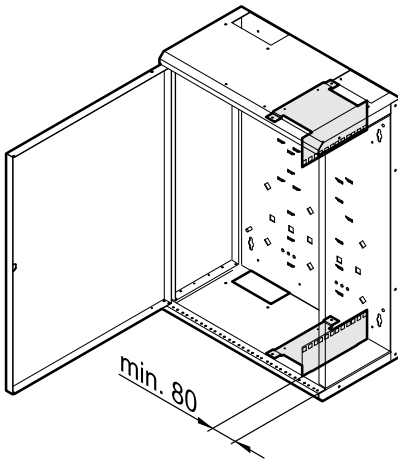
Delivery comprises (assembled)

Item	Qty	Description
1	1	Locking insert
2	2	Key

Order Information

Description	Qty/PU	Part no.
Locking insert 2233-X (included in basic case)	1	60239-051

19" bracket for basic case



VTLW6685

- For constructing a vertical 19" plane (4 U) in the basic case
- Depth-adjustable in 20 mm increments

Order Information

Description	Part no.
19" bracket for basic case, St, 1.5 mm, RAL 7035, PU 2 pieces	60239-035

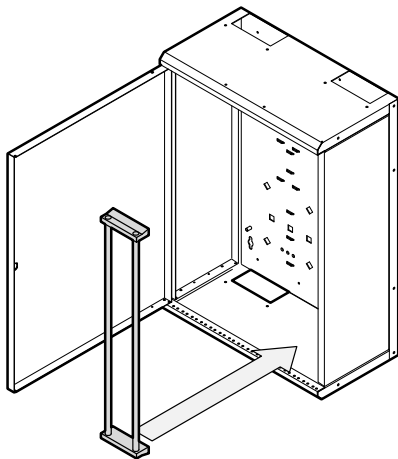
Note

- Not suitable in fibre optic small case and side-by-side module



For further information www.schroff.biz/oneclick
oneClick search code = Part no.

LSA+ bracket



41801501

- For retention of LSA+ type connections
- For assembly in basic case or side-by-side module

Delivery comprises (kit)

Item	Qty	Description
1	2	Rail holder, St, 1.5 mm, zinc-plated
2	2	Rail, stainless steel
3	1	GND/earthing kit
4	1	Assembly kit

Order Information

Description	Part no.
LSA+ bracket	60239-040



For further information www.schroff.biz/oneclick
oneClick search code = Part no.

Wall mounted cases - LAN wall mounted

Wall mounted distributor, 4 U, vertical



41802002



ServicePLUS see page 2.46

- Flat 19" wall mounted case (220 mm deep) for universal cabling systems
- Mounting possibilities for distribution panels (copper and fibre optic) or for active components (e.g. switches), up to a depth of max. 300 mm
- Prepared for fan assembly
- Type of protection IP 20 (when cover plate is closed)

Delivery comprises (assembled)

Item	Qty	Description
1	1	Case, St, 1.5 mm, RAL 7035, 2 cable ducting openings each at top and bottom (without cover)
2	1	Side panel, St, 1 mm, RAL 7035, with ventilation slots (prepared for fan assembly)
3	1	Corner door, St, 1 mm, RAL 7035, 90° offset, with acrylic glass and lateral lock 2233-x
4	3	Cover plate for cable ducting openings, supplied loose (plain or with ventilation slots, depending on mounting position)
5	1	Brush strip, black, supplied loose
6	2	19" bracket, St, 1.5 mm, RAL 7035 (4 U, vertical)
7	1	Assembly kit for wall mounting (distance from wall 6.5 mm)
8	1	Earthing kit

Order Information

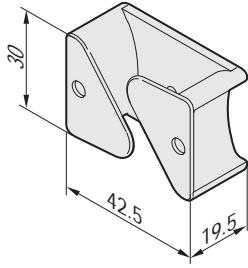
Height mm	Width mm	Depth mm	Part no.
600	425	220	60240-006
230 V_{AC} fan with covering grille, 1 piece			20234-822
Thermostat mains connection 230 V_{AC}, 1 piece			20118-719
Brush strip for wall mounted distributor self-adhesive, PU 2 pieces			60239-031



For further information www.schroff.biz/oneclick
oneClick search code = Part no.

Wall mounted cases – LAN wall mounted

Cable ducting for fibre cable



- For cable ducting with necessary bending radius

Order Information

Description	Description	Part no.
Cable ducting for fibre cable	Plastic, black, PU 4 pieces	60239-020



For further information www.schroff.biz/oneclick
oneClick search code = Part no.

41804051

Wall-mounted cases ServicePLUS



modification

Custom drillings, cut-outs and special colours for off-the-shelf products

Small changes. Large impact.

- Custom drillings, special colours, cut-outs for off-the-shelf products from
 - 10 pieces with epcase
 - 25 pieces with CONCEPTLINE, INLINE, QLINE, A48, wall mounted LAN enclosures
- Further information: www.schroff.co.uk/modification



solution

Integration and custom developments

Simple. Fast. From one source.

- Special sizes, custom solutions, printing from:
 - 10 pieces with epcase
 - 25 pieces with CONCEPTLINE, INLINE, wall mounted LAN enclosures
 - 500 pieces with QLINE, A48
- Integration: components, internal mounting, wiring
- Further information: www.schroff.co.uk/solution

ServicePLUS solution - project examples



40508001

Plastic case A48 or QLINE

- Plain or glazed doors
- Individual printing, cut-outs, with PG screw fitting or with complete assembly



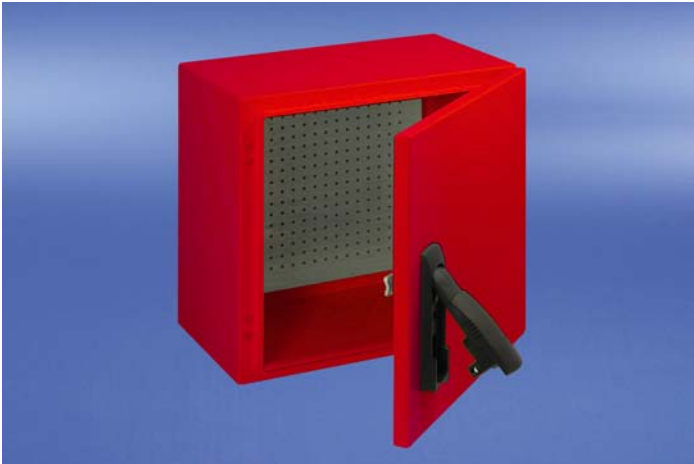
40708001

Steel case INLINE

- Terminal case or installation case with support rails or mounting plates with customised depth bolts
- Cut-outs and drillings marked with specified printing; paint-free contact area for installed components

Wall-mounted cases ServicePLUS

ServicePLUS solution - project examples



41108003

CONCEPTLINE in special colour (RAL 3027)

- Steel case with a high type of protection: IP 66
- Mounting plate with hole grid to fix assemblies
- Lever handle with optional DIN cylinder



41108002

CONCEPTLINE control module

- Vehicle data processor in CONCEPTLINE case (IP 66)
- Internal mounting on basis of europacPRO subrack with individually machined front panels



41108001

CONCEPTLINE communication module

- CONCEPTLINE case with heat exchanger (IP 55)
- Internal mounting on basis of europacPRO subrack and backplane for the digital GSM-R communication network

