

Overview	0
Cabinets	1
Wall mounted cases	2
Accessories for cabinets and wall mounted cases	3
Climate control	4
Desk-top cases	5
Subracks/ 19" chassis	6
Front panels, plug-in units	7
Systems	8
Power supply units	9
Backplanes	10
Connectors, front panel component system	11
Appendix	12

Systems - MicroTCA



12907003

MicroTCA (Micro Telecommunications Computing Architecture)

MicroTCA.0 R1.0 is a modular standard that utilises AdvancedMC modules. These are plugged directly onto the backplane.

In addition to standard systems, modifications and customised solutions, Schroff also offers all components for building systems.

The central unit of a MicroTCA system is the MicroTCA carrier hub (MCH), which performs the carrier and often also shelf management. It also acts as the data switch in the system.

Carrier and shelf management include, among other things, temperature, voltage and air monitoring.

Remote monitoring can be set up via an external Ethernet connection. This allows early detection and remedying of temperature problems. Downtimes are thus reduced.

Applications

Reduced development costs and shorter time-to-market are the advantages of the MicroTCA standard compared to proprietary system solutions, as they can be found increasingly often in telecommunications today.

Among others the advantages over the previous bus systems (VME, CompactPCI busses) are the higher speed, smaller designs and larger flexibility.

MicroTCA is used in areas where faster data transfer rates are required and large data volumes must be processed in the shortest time, e.g. in telecommunications, automation, image processing, medical systems, defence systems etc.

Heat dissipation

MicroTCA defines very high heat dissipation for the AdvancedMC modules.

The maximum heat dissipation for the largest module (double full-size) is determined as 80 W. Cooling is thus a challenge.

MicroTCA systems from Schroff can reliably dissipate this volume of thermal power loss. Special fans have been purpose-developed and create a particularly high static pressure.

In addition, thermal simulations and measurements are performed on Schroff MicroTCA systems to optimise the airflow.


Downloads and further important information can be found on the Internet under www.schroff.biz

Modular MicroTCA high speed systems

- Very wide product range in terms of dimensions, number of slots, cooling principles, backplane topologies
- Modifications to your requests
- Systems for MicroTCA.0, MicroTCA.1 and MicroTCA.4



12911003

MicroTCA.4 systems for test and measurement applications

- Cube and 19" systems
- For double mid-size AMC modules
- With rear board cage for rear transition modules
- Cooling units with management controller



12912005

MicroTCA.1 systems for industrial applications

- Cube systems
- For double mid-size AdvancedMC modules
- For harsh environmental conditions
- Cooling units with management controller



12911006

MicroTCA.0 systems for communications applications

- Cube and 19" systems
- For single and double AdvancedMC modules
- Cooling units with management controller



12908004

MicroTCA.0 systems for laboratory applications

- Desk-top enclosures with tip-up feet
- Cube and 19" systems
- Cooling units without management controller



30407004

ServicePLUS from page 8.112

- e.g. individual configuration and assembly
- e.g. modifications (backplanes, power supply)
- e.g. ventilation concepts
- e.g. custom solutions

www.schrack.biz/ServicePLUS

MicroTCA.4 systems for test and measurement applications

Cube, 5 U, 42 HP, for 7 double modules 8.38

9 U, for 12 double modules 8.39

MicroTCA.1 systems for industrial applications

Cube, 5 U, 42 HP, for 6 single modules 8.40

MicroTCA.0 systems for communications applications

Cube, 5 U, 30 HP, for 4 single modules 8.41

1 U, for 6 single modules 8.42

3 U, for 10 single modules 8.43

4 U, for 12 single modules 8.44

6 U, for 9 single modules 8.45

MicroTCA.0 case systems for laboratory applications

Cube, 3 U, 30 HP, for 4 single modules 8.46

3 U vertical, for 4 single modules 8.47

Accessories

Splitting kit 8.48

Guide rails 8.49

Power feeder modules 8.50

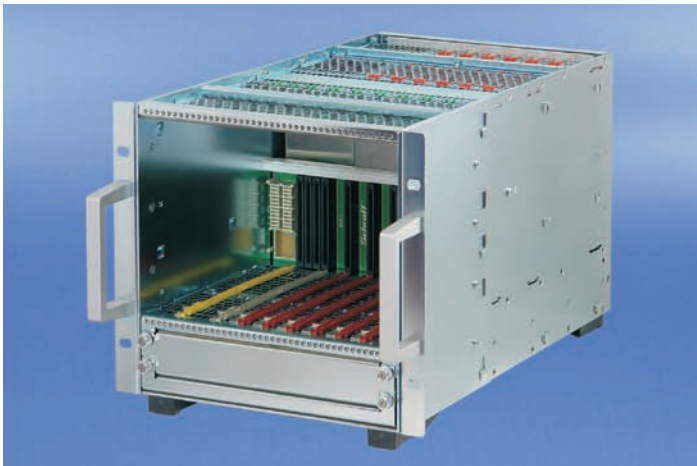
Power supply systems 8.51

Field replaceable units (FRUs) 8.53

ServicePLUS .. 8.112

Systems - MicroTCA

MicroTCA.4 system, cube, 5 U, 42 HP, for 7 double AdvancedMC modules



Front view

12912001



Rear view

12912004

- In accordance with PICMG MTCA.4 R1.0 specification
- 5 U, 42 HP cube system for
 - 6 double mid-size and 1 double full-size AdvancedMC modules,
 - 1 double full-size MCH and 1 double full-size power module
- 6 rear transition module slots for double mid-size modules and one slot for double full-size
- Backplane with star topology, direct connections for S-ATA/SAS, clock and trigger lines as per PICMG MTCA.4
- Clock topology to PICMG AMC.0 R2.0
- Hot-swap fan module with cooling unit manager (CU EMMC), airflow from bottom to top, fan speed for front and rear sections can be separately adjusted via MCH
- Air filter, exchangeable from front

NEW

Delivery comprises

Item	Qty	Description
1	1	MicroTCA system, 5 U, 42 HP, 373 mm deep, zinc-plated
2	7	Pin position AdvancedMC module, with guide rail, for vertical board mounting
3	1	Backplane with star topology for 7 AdvancedMC modules, 1 MCH and 1 power module
4	1	Hot-swap fan module with cooling unit manager (CU EMMC) and 6 fans
5	1	Air filter, exchangeable from front

Order Information

Height mm	Height U	Width HP	Depth mm	Number of slots	Part no.
222.25	5	42	373	7	11850-021

Accessories

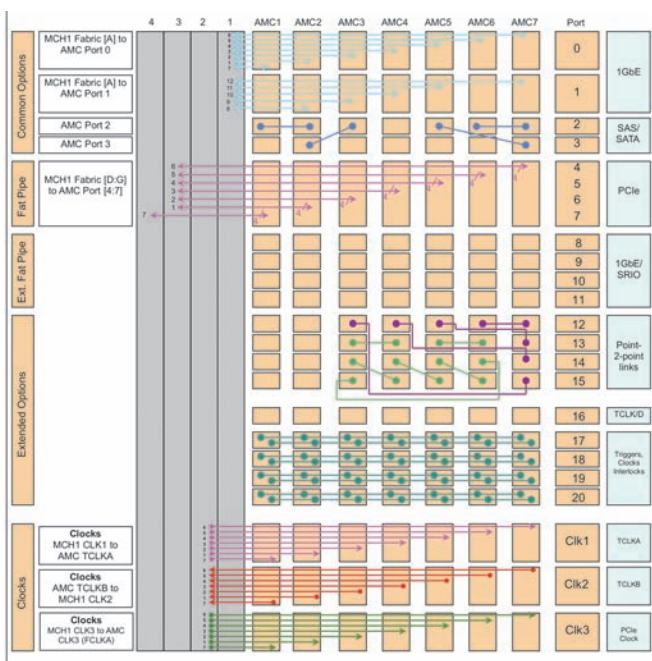
Power module MicroTCA, AC/DC, double full-size, with power management (PM EMMC) 550 W, 1 piece - page 8.52	11098-438
Splitting kit PU 5 pieces	20849-115
PFM, single full-size 12 V _{DC} input, 40 A, with PM EMMC, non-redundant, with reverse polarity and overvoltage protection, 1 piece	21596-571
PFM, single full-size 12 V _{DC} input, 80 A, with PM EMMC, non-redundant, without reverse polarity and overvoltage protection, 1 piece	21596-572
Replacement parts (FRUs)	
Fan tray (21850-113)	Page 8.54
Air filter (21850-116)	Page 8.55

Note

- Modified systems available on request



For further information www.schroff.biz/oneclick
oneClick search code = Part no.



Backplane topology

12912052

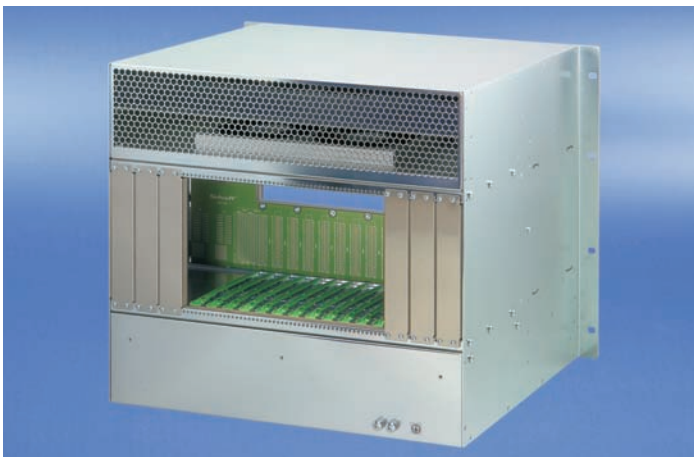
Systems - MicroTCA

MicroTCA.4 system, 9 U, 84 HP, for 12 double mid-size AdvancedMC modules



Front view

12911003



Rear view

12911004

- In accordance with PICMG MTCA.4 R1.0 specification
- 9 U, 84 HP cube system for 12 double mid-size-AdvancedMC modules, 2 double full-size MCHs and 4 double full-size power modules
- 12 rear transition module slots for double mid-size
- Backplane with dual star topology, direct connections for S-ATA/SAS, clock and trigger lines as per PICMG MTCA.4
- Clock topology to PICMG AMC.0 R2.0
- 2 hot-swap fan modules with cooling unit manager (CU EMMC) in push/pull configuration, airflow from front to rear, fan speeds for front and rear sections can be separately adjusted via the MCH

NEW

Delivery comprises

Item	Qty	Description
1	1	MicroTCA system, 9 U, 84 HP, 373 mm deep, zinc-plated
2	12	Pin position AdvancedMC module, with guide rail, for vertical board mounting
3	1	Backplane with dual star topology for 12 AdvancedMC modules, 2 MCHs and 4 power modules
4	2	Hot-swap fan module with cooling unit manager (CU EMMC) and 4 fans;
5	1	Air filter, exchangeable from front

Order Information

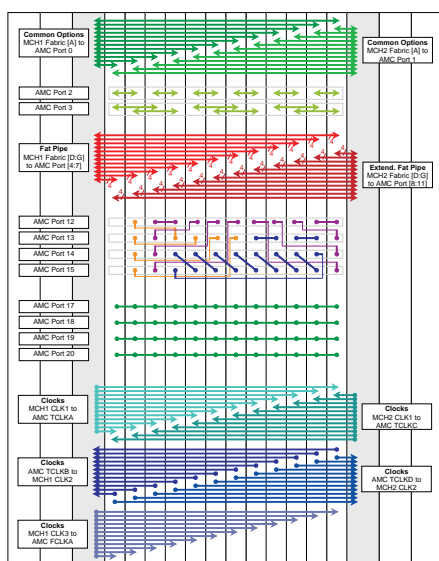
Height mm	Height U	Width HP	Depth mm	Number of slots	Part no.
400.05	9	84	373	12	11890-035

Accessories

Power module MicroTCA, AC/DC, double full-size, with power management (PM EMMC) 550 W, 1 piece - page 8.52	11098-438
Splitting kit PU 5 pieces	20849-115
PFM, single full-size 12 V _{DC} input, 40 A, with PM EMMC, non-redundant, with reverse polarity and overvoltage protection, 1 piece	21596-571
PFM, single full-size 12 V _{DC} input, 80 A, with PM EMMC, non-redundant, without reverse polarity and overvoltage protection, 1 piece	21596-572

Replacement parts (FRUs)

Fan tray (21850-115)	Page 8.55
Air filter (21850-117)	Page 8.55



Backplane topology

12611050



ServicePLUS see page 8.112

Systems - MicroTCA

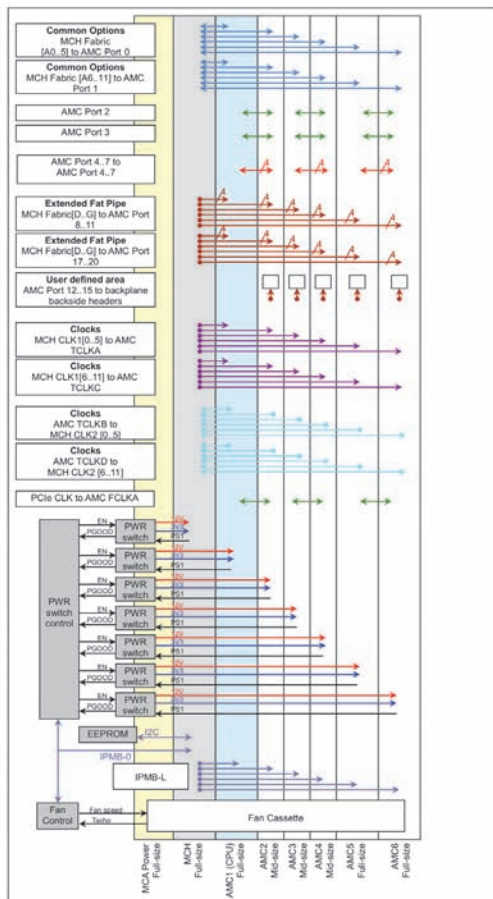
MicroTCA.1 systems, cube, 5 U, 42 HP, for 6 double AdvancedMC modules



12912005

- In accordance with PICMG MTCA.1 R1.0 specification
- 5 U, 42 HP cube system for
 - 3 double mid-size, 3 double full-size AdvancedMC modules,
 - 1 double full-size MCH and 1 double full-size PSU slot
- Backplane with star topology, direct connections for S-ATA/SAS
- Clock topology to PICMG AMC.0 R2.0
- Hot-swap fan module with cooling unit manager (CU EMMC), airflow from bottom to top
- Air filter, exchangeable from front
- Pluggable 300 W PSU with AC mains input in double full-size format, MicroTCA power management (PM EMMC) on backplane

NEW



12912051

Backplane topology



ServicePLUS see page 8.112

Delivery comprises

Item	Qty	Description
1	1	MicroTCA cube, 5 U, 42 HP, 216.5 mm deep, zinc-plated
2	6	Pin position AdvancedMC module, with guide rail, for vertical board mounting
3	1	Backplane with star topology for 6 AdvancedMC modules, 1 MCH and 1 PSU
4	1	Hot-swap fan module with cooling unit manager (CU EMMC) and 4 fans
5	1	Air filter, exchangeable from front
6	1	Pluggable PSU, 300 W, double full-size format

Order Information

Height mm	Height U	Width HP	Depth mm	Number of slots	Part no.
222.35	5	42	373	6	11850-020

Accessories

Power module MicroTCA, AC/DC, double full-size, without management 550 W, 1 piece - page 8.51	11098-416
Power module MicroTCA, AC/DC, double full-size, without management 300 W, 1 piece - page 8.51	11098-392
Splitting kit PU 5 pieces	20849-115
AdvancedMC front panels	Page 8.60
AdvancedMC filler panels	Page 8.64
Equipment cables	Page 3.38
Replacement parts (FRUs)	
Fan tray (21850-114)	Page 8.54
Air filter (21850-120)	Page 8.55

Note

- Modified systems available on request



For further information www.schroff.biz/oneclick
oneClick search code = Part no.

Systems - MicroTCA

MicroTCA.0 system, cube, 3 U, 30 HP, for 4 single full-size AdvancedMC modules



12907009

- In accordance with PICMG MTCA.0 R1.0 specification
- Cube systems for wall mounting
4 single full-size AdvancedMC modules and 1 single full-size MCH
- Backplane with star topology, direct connections for S-ATA/SAS
- Clock topology to PICMG AMC.0 R2.0
- Power supply via 250 W open-frame PSU, mains supply via IEC plug on rear, switching logic for individual slots on backplane

NEW

Delivery comprises

Item	Qty	Description
1	1	MicroTCA system, cube, 3 U, 30 HP, 250 mm deep
2	4	Pin position AdvancedMC module, with guide rail, for vertical board mounting
3	1	Backplane with star topology for 4 AdvancedMC modules and 1 MCH
4	2	Fan for forced ventilation of slots
5	1	250 W open-frame PSU and IEC mains inlet with switch and fuse; power switching to slots via power management board
6	1	Power management board for 21850-046 and 21850-081

Order Information

Height	Width	Depth	Number of slots	Part no.
U	HP	mm		
3	30	250	4	21850-046

Accessories

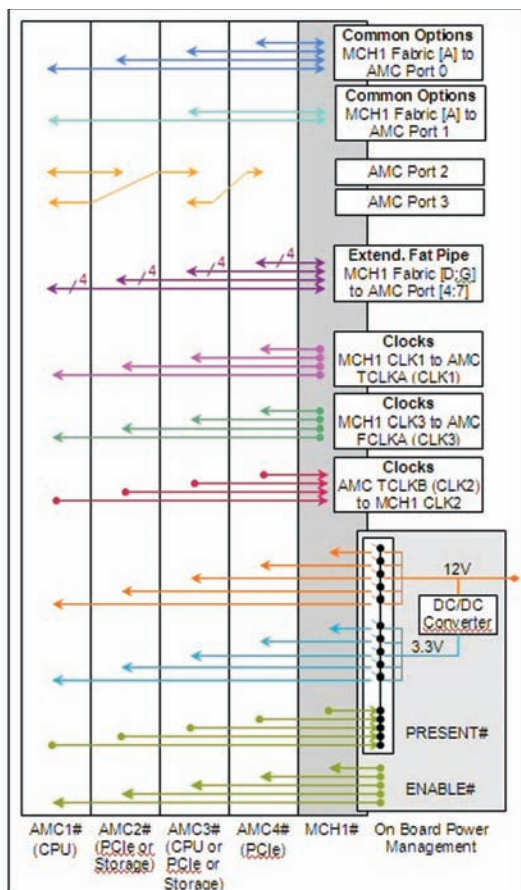
AdvancedMC front panels	Page 8.60
AdvancedMC filler panels	Page 8.64

Note

- Modified systems available on request



For further information www.schroff.biz/oneclick
oneClick search code = Part no.



12907053

Backplane topology



Systems - MicroTCA

MicroTCA.0 system, 1 U, 84 HP,
for 6 single mid-size AdvancedMC modules



12909004

- In accordance with PICMG MTCA.0 R1.0 specification
- 1 U, 19" subrack system for 6 single mid-size AdvancedMC modules, 1 single full-size MCH
- AC mains input (100 ... 240 V_{AC}) on rear of case, 250 W PSU built in, power management (PM EMMC) on backplane
- Backplane with star topology, direct connections for S-ATA / SAS
- Clock topology to PICMG AMC.0 R2.0, PCIe clock (MLVDS) generation on the backplane
- Hot-swap fan module with cooling unit manager (CU EMMC), airflow from right to left
- Air filter, swappable from front

NEW

Delivery comprises (completely assembled, wired and tested)

Item	Qty	Description
1	1	MicroTCA system, 1 U, 84 HP, 301 mm deep, powder-coated, black, RAL 9005
2	6	Pin position AdvancedMC module, with guide rail, for horizontal board mounting
3	1	Backplane with star topology for 6 AdvancedMC modules and 1 MCH
4	1	Hot-swap fan module with cooling unit manager (CU EMMC) and 5 fans;
5	1	Air filter, exchangeable from front
6	1	250 W open frame PSU and power management (PM EMMC) on backplane

Order Information

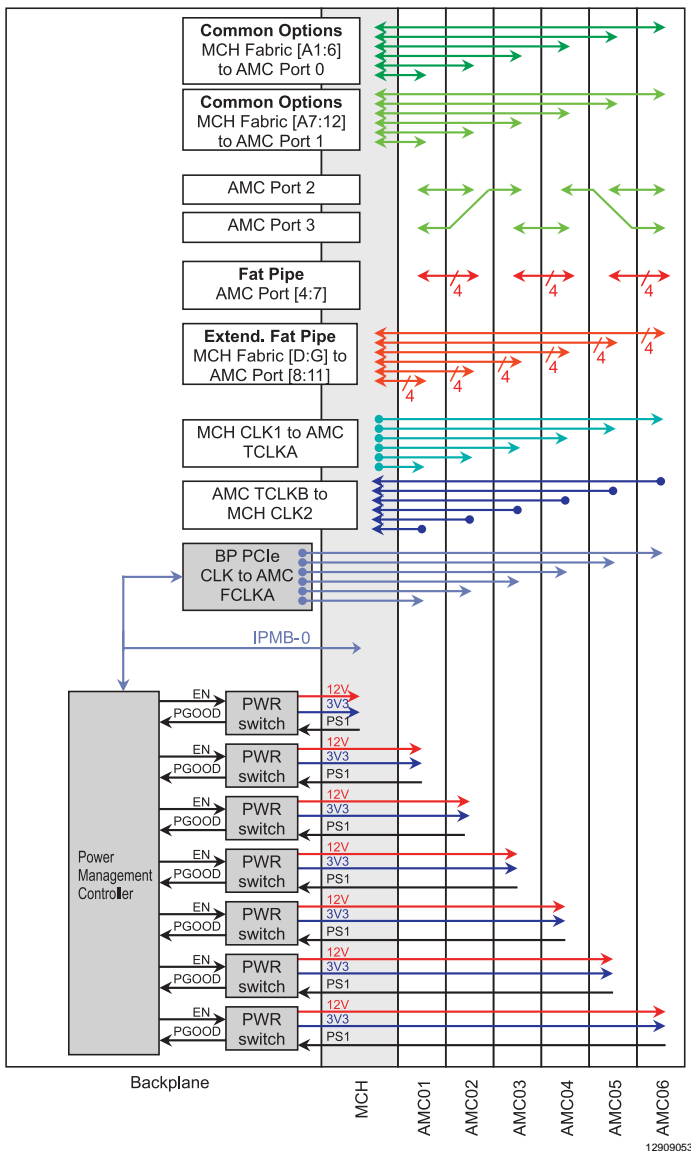
Height mm	Height U	Width HP	Depth mm	Number of slots	Part no.
44.45	1	84	301	6	11850-017

Accessories

AdvancedMC front panels	Page 8.60
AdvancedMC filler panels	Page 8.64
Equipment cables	Page 3.38

Replacement parts (FRUs)

Fan tray (21850-095)	Page 8.53
Air filter (21850-118)	Page 8.55



12909053

Backplane topology



ServicePLUS see page 8.112



For further information www.schroff.biz/oneclick
oneClick search code = Part no.

Systems - MicroTCA

MicroTCA.0 system, 3 U, 84 HP,
for 10 single full-size AdvancedMC modules

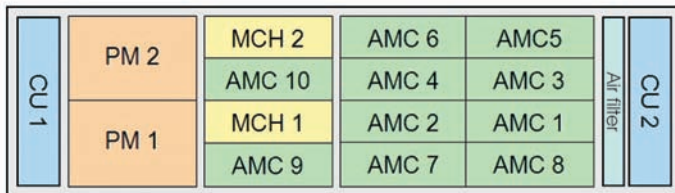


12908003

- In accordance with PICMG MTCA.0 R1.0 specification
- 3 U, 19" subrack system for
10 single full-size AdvancedMC modules,
2 single full-size MCHs and 2 power modules with up to
12 HP width
- Instead of 8 single full-size AdvancedMC modules, the right-hand board cage can be used for 4 double full-size modules
- Backplane with dual star topology, direct connections for S-ATA/SAS
- Clock topology to PICMG AMC.0 R2.0
- Two hot-swap fan modules in push/pull configuration, each with cooling unit manager (CU EMMC), airflow from right to left
- Air filter, exchangeable from front, with presence signal

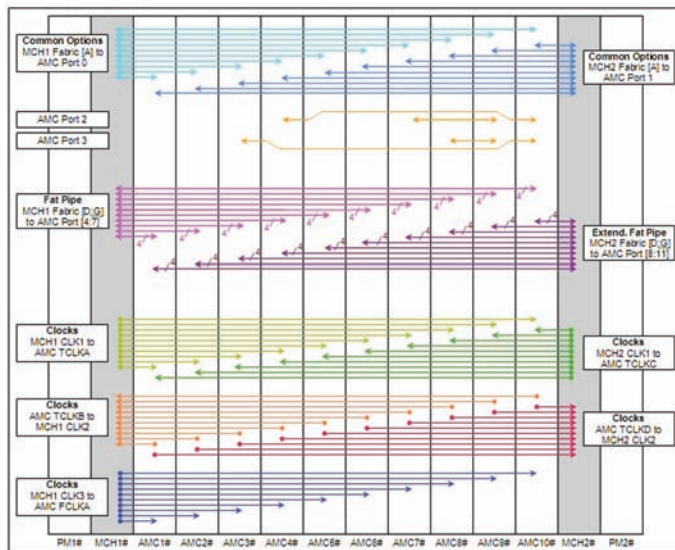
Delivery comprises

Item	Qty	Description
1	1	MicroTCA system, 3 U, 84 HP, 216 mm deep, powder-coated, black, RAL 9005
2	10	Pin position AdvancedMC module, with guide rail, for horizontal board mounting
3	1	Backplane with dual-star topology for 10 AdvancedMC modules, 2 MCHs and 2 power modules
4	2	Hot-swap fan unit with cooling unit manager (CU EMMC) and 1 fan;
5	1	Air filter, exchangeable from front
6	4	Splitting kit



12907050

Slot allocation



12907051

Backplane topology

Order Information

Height mm	Height U	Width HP	Depth mm	Number of slots	Part no.
133.35	3	84	216	10	11850-011

Accessories

PFM, single full-size 12 V _{DC} input, 40 A, with PM EMMC, non-redundant, with reverse polarity and overvoltage protection, 1 piece	21596-571
PFM, single full-size 12 V _{DC} input, 80 A, with PM EMMC, non-redundant, without reverse polarity and overvoltage protection, 1 piece	21596-572
AdvancedMC front panels	Page 8.60
AdvancedMC filler panels	Page 8.64
Replacement parts (FRUs)	
Fan tray (21850-038)	Page 8.53
Air filter (21850-034)	Page 8.55

Note

- For description of the power supply module see page 8.50
- Replacement parts (FRUs) see from page 8.53
- User manual: Please enter order number at www.schroff.biz/oneclick



ServicePLUS see page 8.112



For further information www.schroff.biz/oneclick
oneClick search code = Part no.

Systems - MicroTCA

MicroTCA.0 system, 4 U, 84 HP, for 12 single mid-size AdvancedMC modules



12911006

- In accordance with PICMG MTCA.0 R1.0 specification
- 4 U, 19" subrack system for 12 single mid-size AdvancedMC modules, 2 single full-size MCHs and 2 power modules with up to 12 HP width
- Backplane with dual star topology, direct connections for S-ATA/SAS
- Clock topology to PICMG AMC.0 R2.0
- Two hot-swap fan modules on rear of case, each with cooling unit manager (CU EMMC), airflow from bottom front to rear
- Air filter, exchangeable from front, with presence signal

NEW

Delivery comprises

Item	Qty	Description
1	1	MicroTCA system, 4 U, 84 HP, 296 mm deep, powder-coated, black, RAL 9005
2	12	Pin position AdvancedMC module, with guide rail, for vertical board mounting
3	1	Backplane with dual-star topology for 12 AdvancedMC modules, 2 MCHs and 2 power modules
4	2	Hot-swap fan module with cooling unit manager (CU EMMC) and 2 fans
5	1	Air filter, exchangeable from front
6	1	Cable channel

Order Information

Height mm	Height U	Width HP	Depth mm	Number of slots	Part no.
177.8	4	84	296	12	11850-018

Accessories

PFM, single full-size 12 V_{DC} input, 40 A, with PM EMMC, non-redundant, with reverse polarity and overvoltage protection, 1 piece **21596-571**

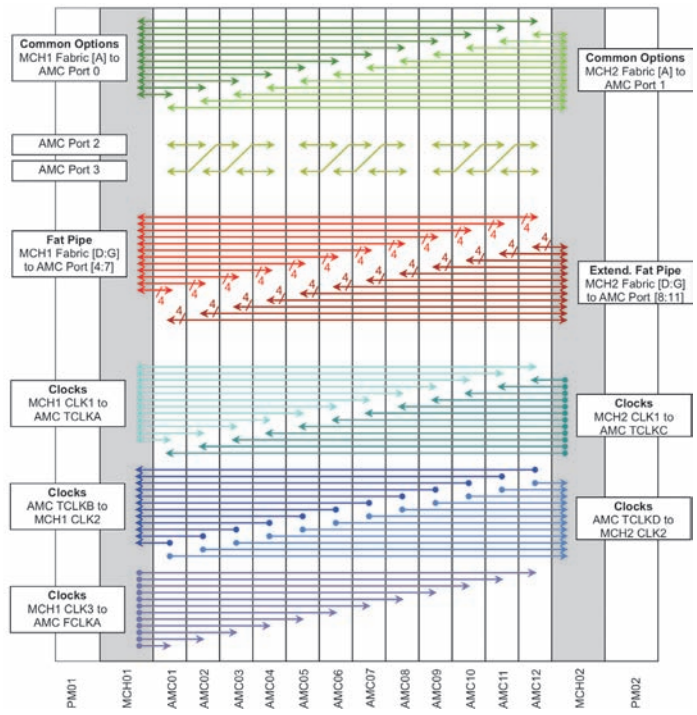
PFM, single full-size 12 V_{DC} input, 80 A, with PM EMMC, non-redundant, without reverse polarity and overvoltage protection, 1 piece **21596-572**

AdvancedMC front panels **Page 8.60**

AdvancedMC filler panels **Page 8.64**

Replacement parts (FRUs)

Fan tray (21850-112)	Page 8.53
Air filter (21850-119)	Page 8.55



12911050

Backplane topology



ServicePLUS see page 8.112



For further information www.schroff.biz/oneclick
oneClick search code = Part no.

Systems - MicroTCA

MicroTCA.0 systems, 6 U, 84 HP, for 9 single full-size AdvancedMC modules

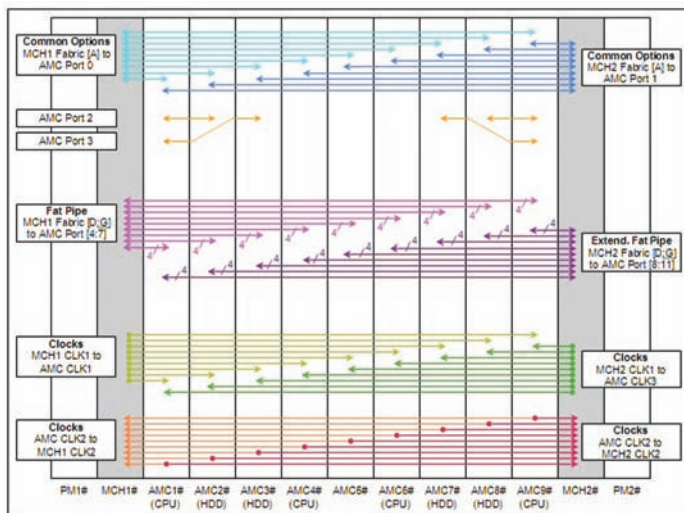


12907014

- In accordance with PICMG MTCA.0 R1.0 specification
- 6 U, 19" subrack system for 9 single full-size AdvancedMC modules, 2 single full-size MCHs and 2 power modules with up to 9 HP width
- Backplane with dual star topology, direct connections for S-ATA/SAS
- Clock topology to PICMG AMC.0 R1.0
- Two hot-swap fan modules in push/pull configuration, each with cooling unit manager (CU EMMC), airflow from bottom front to rear top
- Air filter, exchangeable from front, with presence signal

Delivery comprises

Item	Qty	Description
1	1	MicroTCA system, 6 U, 84 HP, 197 mm deep, powder-coated, black, RAL 9005
2	9	Pin position AdvancedMC module, with guide rail, for vertical board mounting
3	1	Backplane with dual-star topology for 9 AdvancedMC modules, 2 MCHs and 2 power modules
4	2	Hot-swap fan unit with cooling unit manager (CU EMMC) and 2 fans; lower fan unit with interface and display for Telco alarms
5	1	Air filter, exchangeable from front
6	1	Cable channel



12806805

Backplane topology



ServicePLUS see page 8.112

Order Information

Height mm	Height U	Width HP	Depth mm	Number of slots	Part no.
266.7	6	84	197	9	10849-005

Accessories

PFM, single full-size 12 V_{DC} input, 40 A, with PM EMMC, non-redundant, with reverse polarity and overvoltage protection, 1 piece	21596-571
PFM, single full-size 12 V_{DC} input, 80 A, with PM EMMC, non-redundant, without reverse polarity and overvoltage protection, 1 piece	21596-572
AdvancedMC front panels	Page 8.60
AdvancedMC filler panels	Page 8.64
Replacement parts (FRUs)	
Fan tray (21850-036)	Page 8.54
Air filter (21850-033)	Page 8.54

Note

- For description of the power supply module see page 8.50
- Replacement parts (FRUs) see from page 8.53
- User manual: Please enter order number at www.schroff.biz/oneclick



For further information www.schroff.biz/oneclick
oneClick search code = Part no.

Systems - MicroTCA

MicroTCA.0 case systems,
cube, 3 U, 30 HP,
for 4 single full-size AdvancedMC modules



12907010

- In accordance with PICMG MTCA.0 R1.0 specification
- Cube case system with tip-up feet for 4 single full-size AdvancedMC modules and 1 single full-size MCH
- Backplane with star topology, direct connections for S-ATA/SAS
- Clock topology to PICMG AMC.0 R2.0
- Power supply via 250 W open-frame PSU, mains supply via IEC plug on rear, switching logic for individual slots on backplane

NEW

Delivery comprises

Item	Qty	Description
1	1	MicroTCA case system with tip-up feet, cube, (ratiopacPRO case)
2	4	Pin position AdvancedMC module, with guide rail, for vertical board mounting
3	1	Backplane with star topology for 4 AdvancedMC modules and 1 MCH
4	3	Fan for forced ventilation of slots
5	1	250 W open-frame PSU and IEC mains inlet with switch and fuse
6	1	Power management board on 21850-081

Order Information

Description	Height U	Width HP	Depth mm	Number of slots	Part no.
Case system, power switching to slots via presence signal	3	30	316	4	21850-045
Case system, power switching to slots via power management board	3	30	316	4	21850-081

Accessories

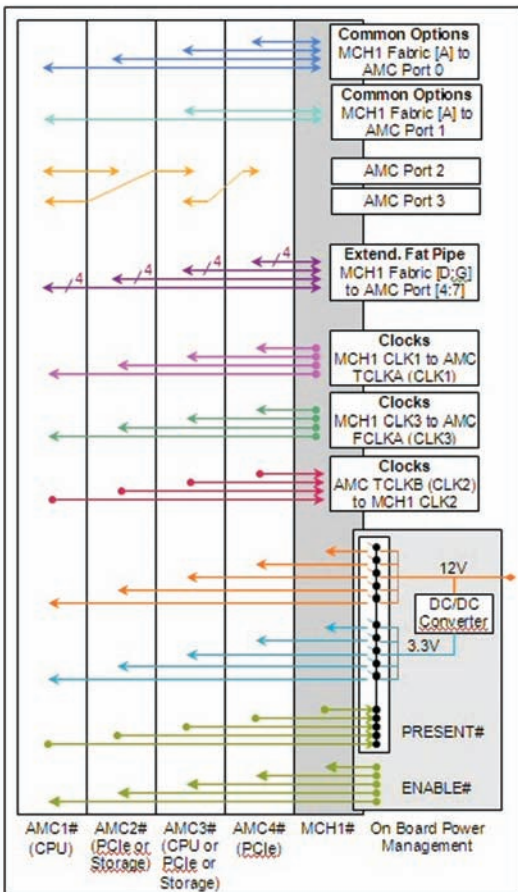
AdvancedMC front panels	Page 8.60
AdvancedMC filler panels	Page 8.64

Note

- Modified systems available on request



For further information www.schroff.biz/oneclick
oneClick search code = Part no.



12907053

Backplane topology



ServicePLUS see page 8.112

Systems - MicroTCA

MicroTCA.0 case system, 3 U, 84 HP, for 4 single AdvancedMC modules



12908004

- Evaluation system for AdvancedMC modules
- 19" desktop case system with tip-up feet for 4 single AdvancedMC modules (12 HP)
- Backplane with direct connections and headers on rear of backplane to connect external measuring equipment
- Case top cover and top board cage plate are easily removable (good access to the modules)
- Active heat dissipation, 2 fans (29 m³/h, 17 cfm) per slot
- Power supply via 400 W ATX PSU, mains supply via IEC plug on front

Delivery comprises

Item	Qty	Description
1	1	MicroTCA case system
2	4	Pin position AdvancedMC module, with guide rail, for vertical board mounting
3	1	Backplane with direct connections for 4 AdvancedMC-modules
4	8	Fan for forced ventilation of slots
5	1	400 W ATX PSU and IEC mains input with switch

Order Information

Height mm	Height U	Width HP	Depth mm	Number of slots	Part no.
132.5	3	84	316	4	11850-013

Accessories

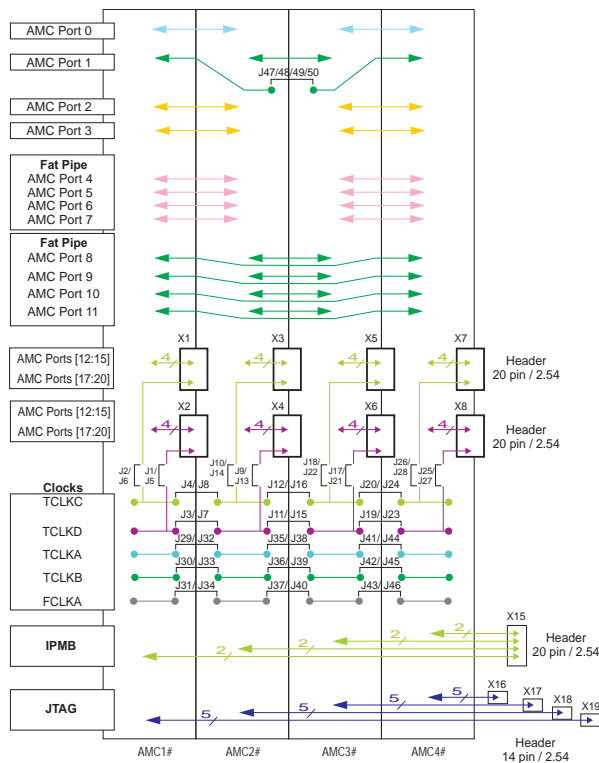
AdvancedMC front panels	Page 8.60
AdvancedMC filler panels	Page 8.64

Note

- User manual: Please enter order number at www.schroff.biz/oneclick



For further information www.schroff.biz/oneclick
oneClick search code = Part no.



12908050

Backplane topology



ServicePLUS see page 8.112

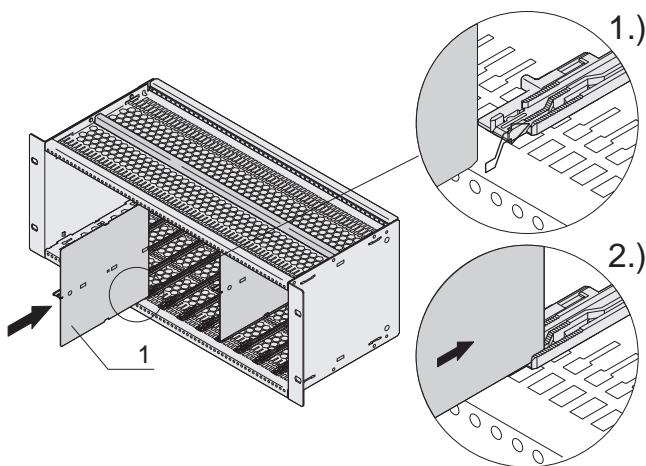
Systems - MicroTCA

Accessories and field replaceable units (FRUs)

Field replaceable unit (FRU) designates system components that can be replaced on site. This reduces system downtime to a minimum. Schroff offers various FRU components for AdvancedTCA systems:

- Splitting kit, see page 8.48
- MicroTCA guide rails, see page 8.49
- Power feed-through modules, see page 8.50
- PSUs (AC/DC, double full-size) with and without management, see from page 8.51
- Fan modules, see from page 8.53
- Air filters, see page 8.55

Splitting kit



12912050

- For fitting 2 single AdvancedMC modules one above the other in one double AdvancedMC slot
- Splitting kit is inserted into the appropriate receptacle of the Schroff MicroTCA guide rail and locks into the appropriate stud of the guide rail
- With the use of the splitting kit, no slots are lost

Delivery comprises

Item	Qty	Description
1	1	Stainless steel, chassis to accommodate a guide rail
2	1	Guide rail, AdvancedMC
3	1	Splitting extrusion, centre
4	1	ESD contact spring
5	1	Fixing material kit, user manual

Order Information

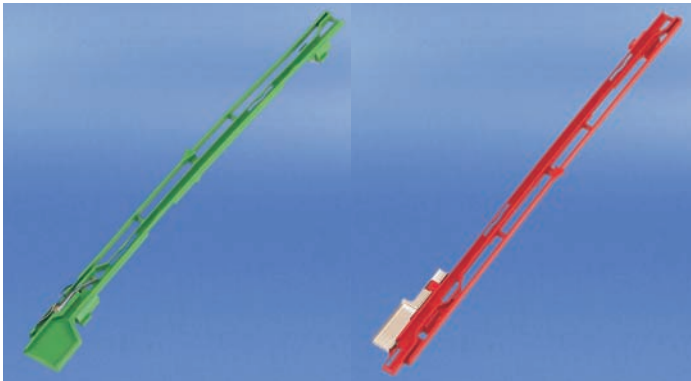
Description	Part no.
Splitting kit, PU 5 pieces	20849-115



For further information www.schroff.biz/oneclick
oneClick search code = Part no.

Systems - MicroTCA

MicroTCA guide rails

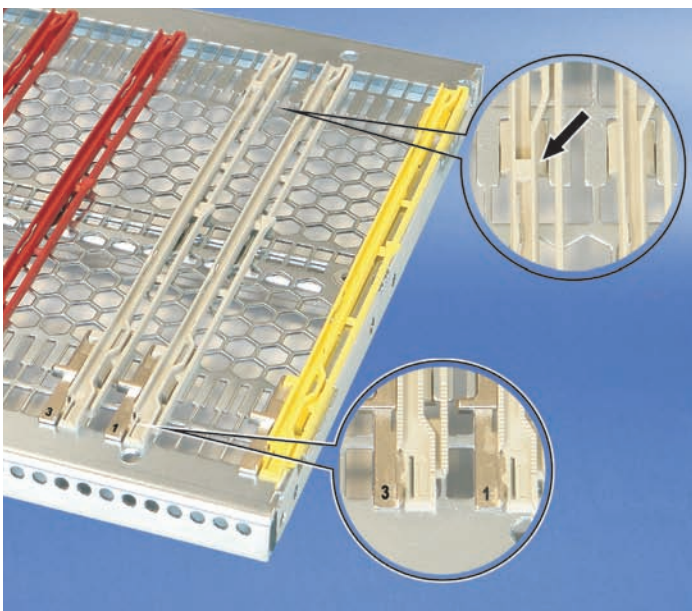


top (green)

12807022

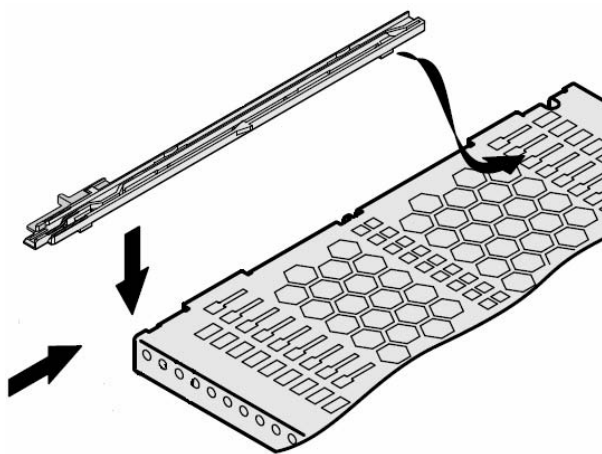
bottom (red)

12807023



Guide rails bottom, grey, for guide rails of 6 HP wide (full-size) MicroTCA carrier hubs

12807011



12807059

- Easy installation without tools in 1 HP grid; the minimum distance between two guide rails is 3 HP (compact)

Order Information

Description	Qty/PU	Part no.
Guide rail, top, green, with ESD clip; for all modules	10	20849-200
Guide rail, top, green, with ESD clip; for all modules	100	20849-201
Guide rail bottom, red; for AdvancedMC function modules	10	20849-194
Guide rail bottom, red; for AdvancedMC function modules	100	20849-195
Guide rail bottom, yellow; for power supplies	10	20849-196
Guide rail bottom, yellow; for power supplies	100	20849-197
Guide rail bottom, grey; for left-hand guide rail of a 6 HP wide MicroTCA carrier hub (designation 3)	10	20849-202
Guide rail bottom, grey; for right-hand guide rail of a 6 HP wide MicroTCA carrier hub (designation 1)	10	20849-198
Guide rail bottom, grey; for right-hand guide rail of a 6 HP wide MicroTCA carrier hub (designation 1)	100	20849-199

Note

- CAD data: please enter part number under www.schroff.biz/oneclick/



For further information www.schroff.biz/oneclick/
oneClick search code = Part no.

Systems - MicroTCA

MicroTCA power feeder modules, single full-size



Photo shows 21596-571

12812006

- Infeed of +12 V_{DC} supply voltage from an external source via D-Sub plug to 16 x 12 V_{DC} outputs to MicroTCA backplane
- Generation of +3.3 V_{DC} management voltage and distribution to 16 outputs
- Used in the power module slot (single full-size) instead of a MicroTCA power module, plug and form factor compatible
- 2 versions
 - With power management (PM EMMC), with protection against overvoltage and polarity reversal of input voltage, 5-pin D-Sub input plug
 - With power management (PM EMMC), no protection against overvoltage or polarity reversal of input voltage, 5-pin D-Sub input plug

Delivery comprises

Item	Qty	Description
1	1	Power feeder module, single full-size
2	1	Power management mezzanine board

Order Information

MicroTCA power feeder, single full-size	Part no.
With power management with overvoltage protection	21596-571
With power management without overvoltage protection	21596-572

Accessories

Connection cable for power feeder module, 5-pin D-Sub 5W5 (-48 V _{DC}) on M5 ring terminal, cable length 1.8 m, 1 piece	23204-835
---	-----------



For further information www.schroff.biz/oneclick
oneClick search code = Part no.

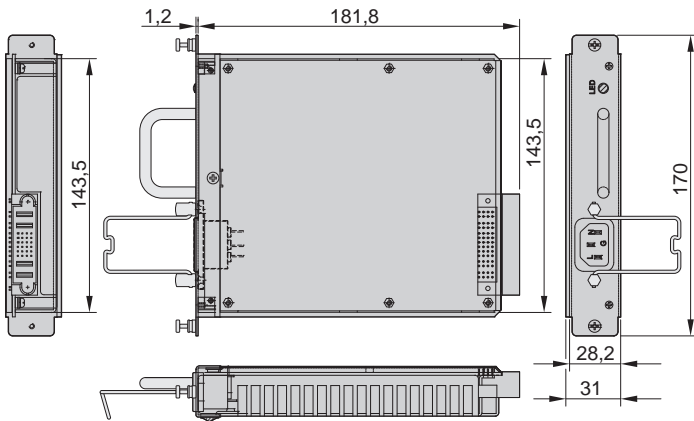
Systems - MicroTCA

AC/DC, double full-size,
without management



Photo shows 11098-392

11309004



11312050

- Wide input voltage range 90 ... 264 V_{AC}
- Active power factor correction
- Construction compatible with AdvancedMC double full-size
- Single-wire current share cable for redundancy operation
- 2 output voltages, 12 V and 3.3 V
- Corresponds to EMC class B as per EN 55022
- Without MicroTCA power management controller
- Mains input at front

NEW

Delivery comprises

Qty	Description
1	PSU for MicroTCA height double (148.3 mm) width full-size (6 HP) depth 186.65 mm connector Molex SSI front panel with handle and EMC gasket (fitted)

Order Information

Voltage V	Current A	Power W	Description	Part no.
V ₁ : 12 V ₂ : 3.3	I ₁ : 25 I ₂ : 3	300	MCA 300 AC	11098-392
V ₁ : 12 V ₂ : 3.3	I ₁ : 45.8 I ₂ : 3	550	MCA 550 AC	11098-416

Note

- Output data for T_A = -25 ... 55 °C with forced cooling of 20 cfm
- Connector FCI 51720-10202402AA or Molex 87631-2019



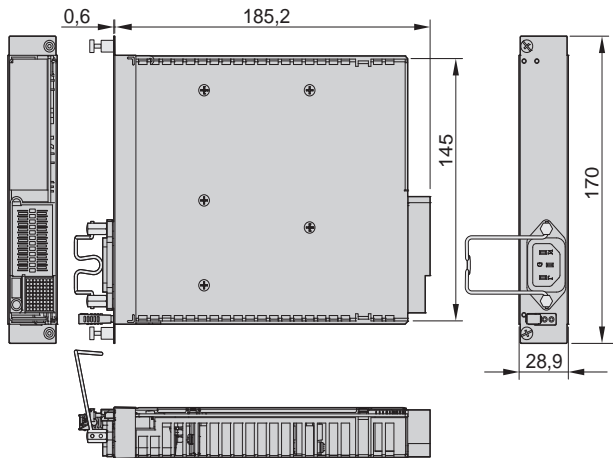
For further information www.schroff.biz/oneclick
oneClick search code = Part no.

Systems - MicroTCA

AC/DC, double full-size,
with power management (PM EMMC)



11311001



11312051

- Wide input voltage range 90 ... 264 V_{AC}
- Active power factor correction
- Construction compatible with AdvancedTCA double full-size
- MicroTCA power management in accordance with PICMG MTCA.0
- 16 output voltages 12 V and 16 x 3.3 V
- Corresponds to EMC class B as per EN 55022
- Mains input at front

NEW

Delivery comprises

Qty	Description
1	PSU for MicroTCA height double (148.3 mm) width full-size (6 HP) depth 186.65 mm connector MicroTCA Power front panel with handle and EMC gasket (fitted)

Order Information

Voltage V	Current A	Power W	Description	Part no.
V ₁ : 12	I ₁ : 45.8	550	MTCA 550 AC	11098-438
V ₂ : 3.3	I ₂ : 3			

Note

- Output data for T_A = -25 ... 55 °C with forced cooling of 20 cfm
- Connector to PICMG MTCA.0, MicroTCA power connector



For further information www.schroff.biz/oneclick
oneClick search code = Part no.

Systems - MicroTCA

Fan module for MicroTCA.0 system,
1 U



12912010

- Hot-swap fan tray with 4 regulated axial fans (40.2 m³/h each), free blowing, 1 unregulated axial fan (17 m³/h), 12 V_{DC}
- With cooling unit enhanced module management controller (CU EMMC)

Order Information

Description	Qty/PU piece	Part no.
Fan module for 1 U MicroTCA system (11850-017)	1	21850-095

Fan module for MicroTCA.0 systems, 3 U,
without Telco alarm panel



12907013

- Fan tray with 1 axial fan (225 m³/h), free blowing, 12 V_{DC}
- With cooling unit enhanced module management controller (CU EMMC)

Order Information

Description	Qty/PU	Part no.
Fan module for 3 U MicroTCA system (11850-003)	1	21850-038

Fan module for MicroTCA.0 system, 4 U



12912012

- Hot-swap fan tray with 2 regulated axial fans (234 m³/h each), free blowing, 12 V_{DC}
- With cooling unit enhanced module management controller (CU EMMC)

Order Information

Description	Qty/PU piece	Part no.
Fan module for 4 U MicroTCA systems (11850-018)	1	21850-112

Systems - MicroTCA

Fan module for MicroTCA.4 cube system, 5 U



12912002

- Hot-swap fan tray with 6 regulated axial fans (109 m³/h each), free blowing, 12 V_{DC}
- With cooling unit enhanced module management controller (CU EMMC); fan speeds for front and rear sections independently adjustable via MCH

Order Information

Description	Qty/PU piece	Part no.
Fan module for 5 U physics cube system (11850-021), 1 piece	1	21850-113

Fan module for 5 U MicroTCA.1 cube system, 5 U



12912006

- Hot-swap fan tray with 4 regulated axial fans (109 m³/h each), free blowing, 12 V_{DC}
- With cooling unit enhanced module management controller (CU EMMC)

Order Information

Description	Qty/PU piece	Part no.
Fan module for 5 U cube system (11850-020)	1	21850-114

Fan modules for MicroTCA.0 systems, 6 U, without Telco alarm panel



12907006

- Fan tray with 2 axial fans (460 m³/h each), free blowing, 12 V_{DC}
- With cooling unit enhanced module management controller (CU EMMC)

Order Information

Description	Qty/PU	Part no.
Fan module for 6 U MicroTCA system (10849-005)	1	21850-036

Systems - MicroTCA

Fan module for MicroTCA.0 systems, 6 U, with Telco alarm panel



12907007

- Fan tray with 2 axial fans (460 m³/h each), free blowing, 12 V_{DC}
- With cooling unit enhanced module management controller (CU EMMC)
- With Telco alarm interface, includes 3 LEDs, one telco alarm connector (DB15) and one telco alarm silencing push-button

Order Information

Description	Qty/PU	Part no.
Fan module for 6 U MicroTCA system (10849-005)	1	21850-037

Fan module for MicroTCA.4, 19" systems, 9 U



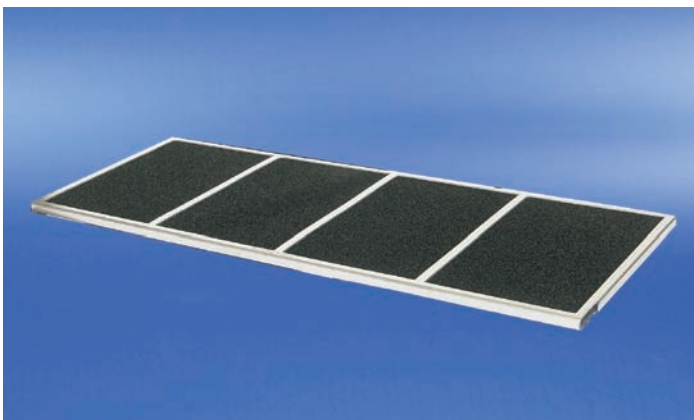
12912008

- Hot-swap fan tray with 5 regulated axial fans (3 x 289 m³/h each, free blowing and 2 x 220 m³/h, free blowing), 12 V_{DC}
- With cooling unit enhanced module management controller (CU EMMC); fan speeds for front and rear sections independently adjustable via MCH

Order Information

Description	Qty/PU piece	Part no.
Fan module for 9 U, 19" physics system (11890-035)	1	21850-115

Air filters



12907005

- Material: polyurethane UL 94 HF1
- 45 ppi, 80 % dust reduction under NEBS GR-78 core standard

Order Information

Description	Qty/PU	Part no.
Air filter for 1 U MicroTCA.0 system (11850-017)	1	21850-118
Air filter for 3 U MicroTCA.0 system (11850-003)	1	21850-034
Air filter for 4 U MicroTCA.0 system (11850-018)	1	21850-119
Air filter for 5 U MicroTCA.1 cube system (11850-020)	1	21850-120
Air filter for 5 U MicroTCA.4 cube system (11850-021)	1	21850-116
Air filter for 6 U MicroTCA.0 systems (10849-005, 11850-005, 11850-007)	1	21850-033
Air filter for 9 U MicroTCA.4 19" system (11890-035)	1	21850-117

Photo shows air filter 21850-033