

4114 NH3

DC axial compact fan



ebm-papst St. Georgen GmbH & Co. KG

Hermann-Papst-Str. 1
D-78112 St. Georgen
Phone +49 (0) 7724 81-0
Fax +49 (0) 7724 81-1309
info2@de.ebmpapst.com
www.ebmpapst.com

Nominal data

| Type | 4114 NH3 | |
|--------------------------|-------------------|----------|
| Nominal voltage | VDC | 24 |
| Nominal voltage range | VDC | 16 .. 30 |
| Speed (rpm) | min ⁻¹ | 6000 |
| Power consumption | W | 19.5 |
| Min. ambient temperature | °C | -20 |
| Max. ambient temperature | °C | 65 |
| Air flow | m ³ /h | 310 |
| Sound power level | B | 7.2 |
| Sound pressure level | dB(A) | 65 |

ml = Max. load · me = Max. efficiency · fa = Free air · cs = Customer specification · ce = Customer equipment
Subject to change

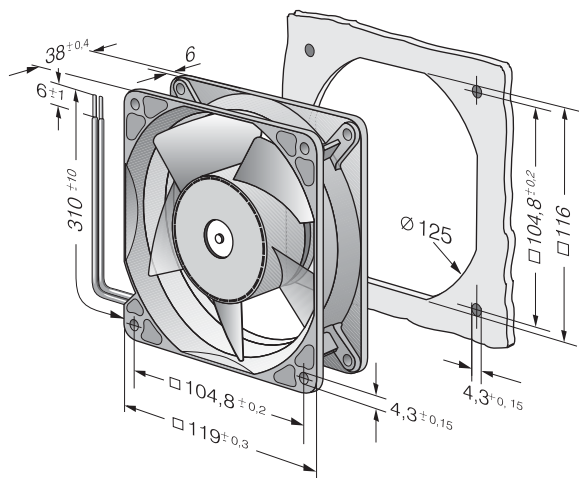


Technical description

| | |
|------------------------------------------------|-----------------------------------------------------------------------------------------------------|
| General description | * Power consumption when wide open; these values may be considerably higher at the operating point. |
| Impeller material | Glass-fiber reinforced PA plastic |
| Weight | 0.390 kg |
| Dimensions | 119 x 119 x 38 mm |
| Housing material | Die-cast aluminum |
| Airflow direction | Intake over struts |
| Direction of rotation | Clockwise, viewed toward rotor |
| Storage | Ball bearing |
| Service life L10 at 40 °C | 65000 h |
| Service life L10 at maximum temperature | 37500 h |
| Cable | Leads AWG 22, UL 2007, TR 64, stripped and tin-plated. |
| Motor protection | Protection against reverse polarity and blocked rotor. |
| Approval | CE |
| Option | Speed signal |



Product drawing



Curves: Air performance

