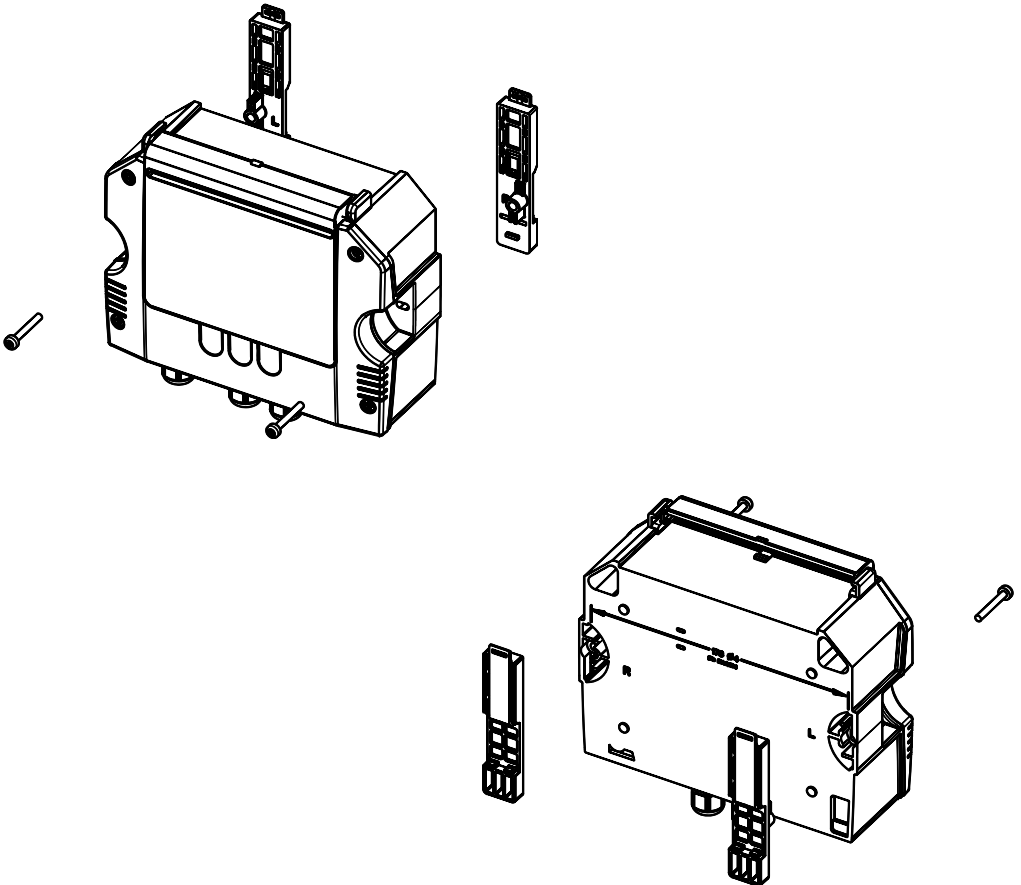


## BA100

### DIN RAIL MOUNTING ADAPTER KIT INSTRUCTION MANUAL



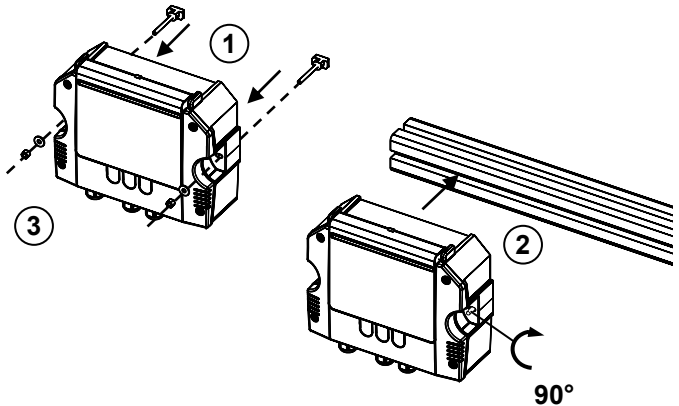
1. Attach the DIN Rail adapters to the back of the CBX or SC4000 paying attention to the Left (L) and Right (R) markings.
2. Insert and tighten the screws.
3. Snap the assembly onto the DIN Rails.

## BA200

### BOSCH FRAME MOUNTING ADAPTER KIT INSTRUCTION MANUAL

#### CBX or SC4000

1. Insert the two bolts behind the CBX or SC4000.
2. Place the assembly onto the Bosch profile so that the bolts enter the profile channel and then rotate the bolts **clockwise** 90° so that they lock into place.
3. Install the two small diameter washers and fasten the two nuts until tight.



#### QL

1. Place the two large diameter washers onto the two bolts and then insert them behind the QL.
2. Place the assembly onto the Bosch profile so that the bolts enter the profile channel and then rotate the bolts **clockwise** 90° so that they lock into place.
3. Install the two small diameter washers and fasten the two nuts until tight.

