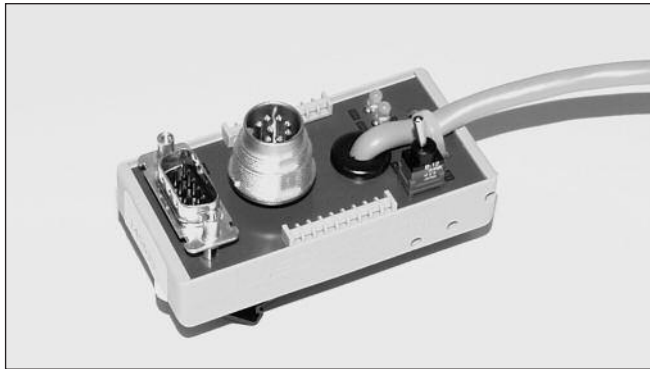


# Ultrasonic Programming Adapter Type UC P1



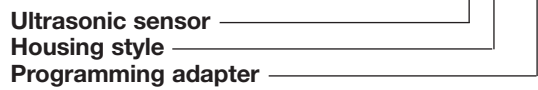
- Interfaces programmable ultrasonic sensors to laptop (RS 232)
- Surveillance of set points
- To be inserted between sensor and installation cable
- Supplied by installation
- LED indication of switching outputs
- Hold mode
- For DIN-rail mounting

## Product Description

Programming adapter for the ultrasonic programmable family. The adapter enables an easy access to the RS232 interface of an installed sensor. The adapter has to be

connected between the sensor and the sensor connection. A subMiniD9 connector enables the sensor to be programmed by the PC.

## Ordering Key



## Type Selection

Housing dimensions	Connection
38.5 x 80.5 mm	D-Sub, 9-poles and sensor plug, 8 pin
38.5 x 80.5 mm	D-Sub, 9-poles and sensor plug, 8 pin

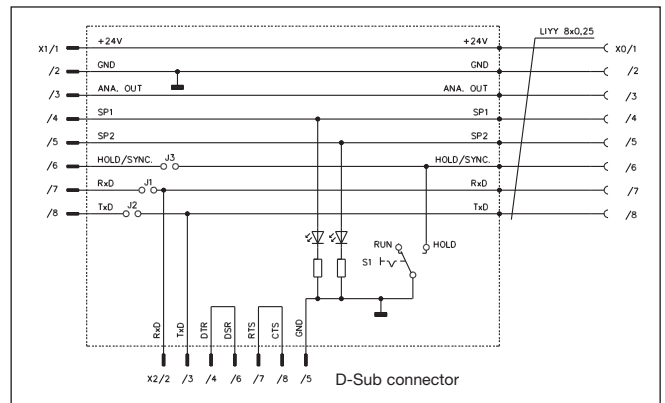
## Ordering no.

<b>UCP1</b>	
<b>UCP2</b>	Sub-D cable included

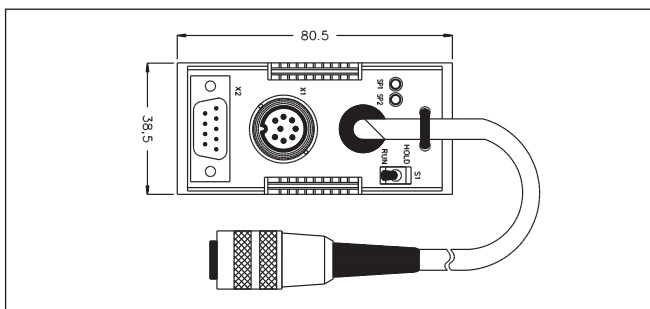
## Specifications

<b>Rated operational volt. (U<sub>e</sub>)</b>	24 VDC Supplied from installation
<b>Indication</b> Status of set points	2 LED's
<b>Hold mode</b>	Switch selectable
<b>Ambient temperature</b> Operating Storage	0° to +50°C (32° to +122°F) 0° to +70°C (32° to +158°F)
<b>Housing material</b>	Plastic
<b>Housing dimensions</b>	38.5 x 80.5 mm
<b>Connection</b>	9-pole D-Sub (RS232) and 8-pole sensor plug

## Wiring Diagram



## Dimensions



## Accessories

USB serial converter: RS-232-USB-CON