

Ultrasonic Diffuse, Analogue and Digital Output Types UA18EAD.....TI

CARLO GAVAZZI



- Cylindrical M18 Stainless Steel INOX AISI 316L housing
- Sensing distance: 50-1500 mm
- Power supply: 15 to 30 VDC
- Outputs: 0-10 VDC or 4-20 mA and one switching output NPN or PNP, NO or NC.
- Linearity error 1%
- Repeatability 0.5%
- Beam angle. $\pm 7^\circ$ or $\pm 10^\circ$
- Protection: Short-circuit, reverse polarity and overvoltage
- Protection degree IP 67
- 2 m cable or M12 plug



Product Description

A family of diffuse ultrasonic sensors in Stainless steel housing and with sensing range from 50-400 mm, 100-900 mm and 200-1500 with a resolution as low as 1.0 mm.

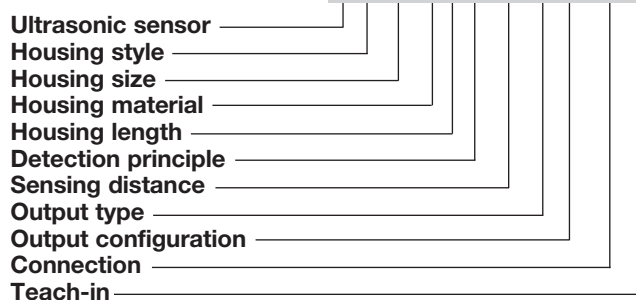
The sensor contains both an analogue and a digital output. The output is either 0-10V or 4-20 mA and the digital output NPN or PNP, NO

or NC which forms a window detection. The sensor is the ideal choice for distance measurement, level measurement, diameter measurement or loop control.

Due to use of microprocessor control the digital filtering makes the sensor immune to most electromagnetic interferences.

Ordering Key

UA18EAD04NGM1TI



Type Selection

Housing diameter	Connection	Rated operating dist. (S _n)	Analog Output	Digital output NPN/PNP	Ordering no.
M18	Plug M12	50-400 mm	4-20 mA	NPN	UA 18 EAD 04 NG M1 TI
M18	Cable	50-400 mm	4-20 mA	NPN	UA 18 EAD 04 NG TI
M18	Plug M12	50-400 mm	0-10 V	NPN	UA 18 EAD 04 NK M1 TI
M18	Cable	50-400 mm	0-10 V	NPN	UA 18 EAD 04 NK TI
M18	Plug M12	50-400 mm	4-20 mA	PNP	UA 18 EAD 04 PG M1 TI
M18	Cable	50-400 mm	4-20 mA	PNP	UA 18 EAD 04 PG TI
M18	Plug M12	50-400 mm	0-10 V	PNP	UA 18 EAD 04 PK M1 TI
M18	Cable	50-400 mm	0-10 V	PNP	UA 18 EAD 04 PK TI
M18	Plug M12	100-900 mm	4-20 mA	NPN	UA 18 EAD 09 NG M1 TI
M18	Cable	100-900 mm	4-20 mA	NPN	UA 18 EAD 09 NG TI
M18	Plug M12	100-900 mm	0-10 V	NPN	UA 18 EAD 09 NK M1 TI
M18	Cable	100-900 mm	0-10 V	NPN	UA 18 EAD 09 NK TI
M18	Plug M12	100-900 mm	4-20 mA	PNP	UA 18 EAD 09 PG M1 TI
M18	Cable	100-900 mm	4-20 mA	PNP	UA 18 EAD 09 PG TI
M18	Plug M12	100-900 mm	0-10 V	PNP	UA 18 EAD 09 PK M1 TI
M18	Cable	100-900 mm	0-10 V	PNP	UA 18 EAD 09 PK TI
M18	Plug M12	200-1500 mm	4-20 mA	NPN	UA 18 EAD 15 NG M1 TI
M18	Cable	200-1500 mm	4-20 mA	NPN	UA 18 EAD 15 NG TI
M18	Plug M12	200-1500 mm	0-10 V	NPN	UA 18 EAD 15 NK M1 TI
M18	Cable	200-1500 mm	0-10 V	NPN	UA 18 EAD 15 NK TI
M18	Plug M12	200-1500 mm	4-20 mA	PNP	UA 18 EAD 15 PG M1 TI
M18	Cable	200-1500 mm	4-20 mA	PNP	UA 18 EAD 15 PG TI
M18	Plug M12	200-1500 mm	0-10 V	PNP	UA 18 EAD 15 PK M1 TI
M18	Cable	200-1500 mm	0-10 V	PNP	UA 18 EAD 15 PK TI

Specifications

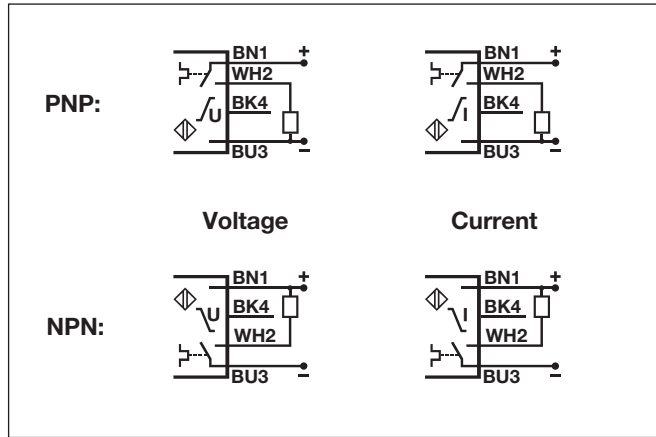
Rated operating distance (S_n)	Reference target: 1 mm metal rolled finish. EAD04: 100 x 100 mm EAD09 and EAD15: 200 x 200 mm 50 - 400 mm 100 - 900 mm 200 - 1500 mm	Operating frequency digital output (f) UA18EAD04... ≤ 10 Hz UA18EAD09... ≤ 4 Hz UA18EAD15... ≤ 1 Hz
UA18EAD04 UA18EAD09 UA18EAD15		Response time OFF-ON digital output (t_{ON}) UA18EAD04... ≤ 50 mS UA18EAD09... ≤ 125 mS UA18EAD15... ≤ 500 mS
Blind zone UA18EAD04... UA18EAD09... UA18EAD15...	≤ 50 mm ≤ 100 mm ≤ 200 mm	Response time ON-OFF digital output (t_{OFF}) UA18EAD04... ≤ 50 mS UA18EAD09... ≤ 125 mS UA18EAD15... ≤ 500 mS
Repeatability	0.5%	Response time analog output ≤ 500 mS
Linear Accuracy	1%	Power ON delay ≤ 500 mS
Beam angle UA18EAD04... UA18EAD09... UA18EAD15...	±10° ±7° ±7°	Output function, open collector By sensor type NPN or PNP
Sensitivity Push-button Resolution	P1 (farthest setpoint) P2 (nearest setpoint) 1 mm	Output switching function One open collector transistor and one analogue output to be configured as: Window function with N.O or N.C. output. Analogue output with positive or negative slope.
Temperature drift	0.1%/°C @ -20° to +60° C	Indication Output ON Yellow LED
Temperature compensation	Yes	Environment Installation category III (IEC 60664/60664A; 60947-1) Pollution degree 3 (IEC 60664/60664A; 60947-1) Degree of protection IP67 (IEC 60529; 60947-1)
Hysteresis (H)	Min. 1%	Ambient temperature Operating -20° to +60°C (-4° to +140°F) Storage -35° to +70°C (-31° to +158°F)
Rated operational voltage (U_B)	15 to 30 VDC (ripple included)	Vibration 10 to 55 Hz, 1.0 mm/6g (IEC/EN 60068-2-6)
Ripple (U_{pp})	≤ 5%	Shock 30 g / 11 ms, 3 directions (IEC/EN 60068-2-27)
No-load supply current (I_o) UA18EAD04... UA18EAD09... UA18EAD15...	50 mA @ U _B max 50 mA @ U _B max 50 mA @ U _B max	Rated insulation voltage < 500 VAC (rms)
Output current continuous digital output (I_o) Max. load capacity 100 nF UL508 specification	100 mA 100 mA	Housing Material body AISI 316L Material front Epoxy-glass resin Material back, plug Grilamid Material back, cable Grilamid Material trimmer POM Sealing around trimmer TPE Material sealing front UA18EAD04... TPE UA18EAD09... TPE UA18EAD15... TPE
Output current short-time digital output (I) Max. load capacity 100 nF UL508 specification	100 mA 100 mA	Connection Cable PVC, grey, 2 m, 4 x 0.32 mm ² , Ø = 4.7 mm M12, 4-pin (CON. 14-series) Plug
Minimum operational current digital output (I_m)	0.5 mA	Tightening torque ≤ 50 Nm
OFF-state current digital output (I_o)	10 µA	
Voltage drop digital output (U_d)	≤ 2.2 VDC @ I _g max.	
Protection digital output	Short-circuit, overvoltage and reverse polarity	
Output analog output NG.. or PG.. types NK.. or PK.. types	4 to 20 mA 0 to 10 VDC	
Load 4 to 20 mA 0 to 10 VDC	max. 500 Ω min. 3 kΩ	
Carrier frequency UA18EAD04... UA18EAD09... UA18EAD15...	300 kHz 300 kHz 200 kHz	

Specifications (cont.)

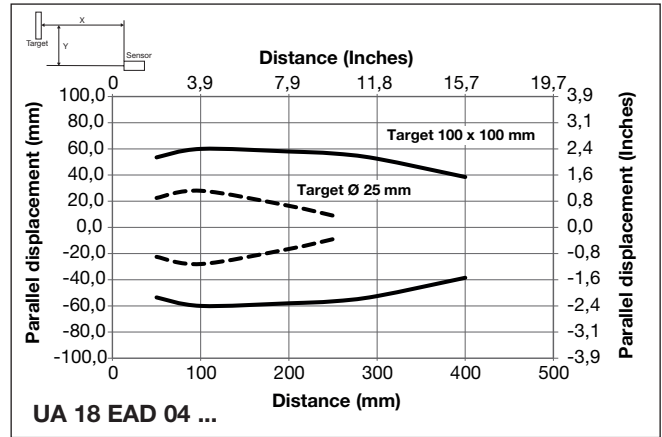
Weight	
Cable version	125 g
Plug version	55 g

CE-marking	Yes
Approvals	cULus (UL508)

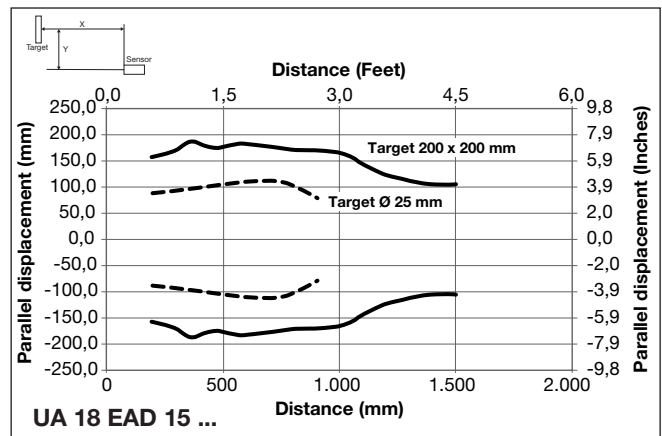
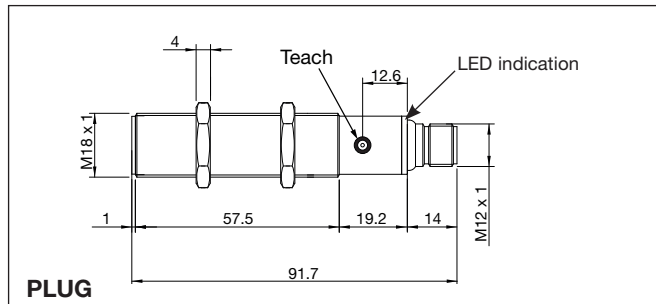
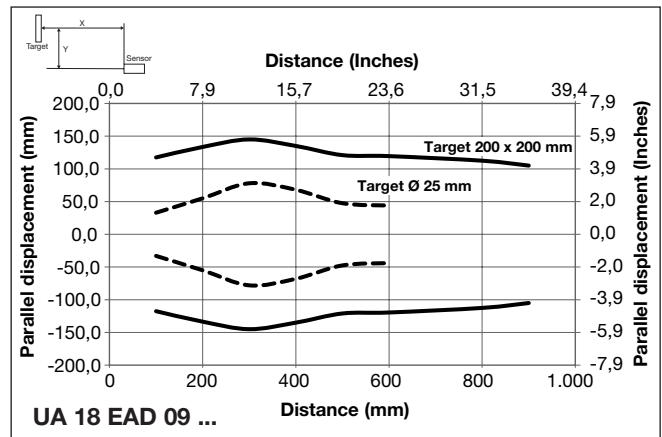
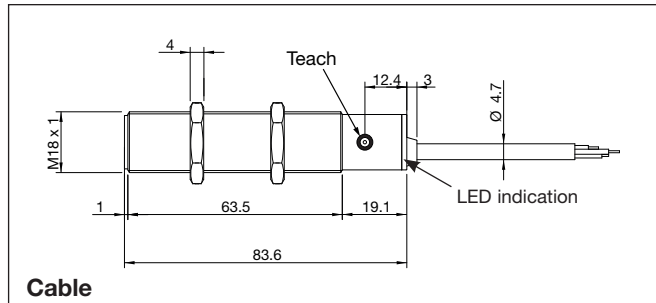
Wiring Diagram



Detection Range



Dimensions



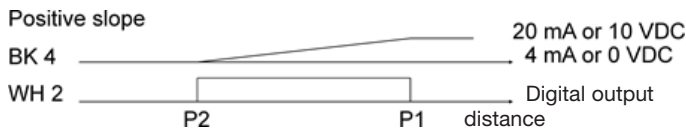
Programming setup

General set up of sensing point P1 (longest distance) and P2 (shortest distance) independently of the sensor type or function.

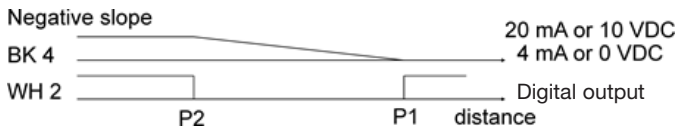
- 1) Mount the sensor in the selected application.
 - 2) Place a target in front of the sensor at the maximum required distance (P1), then press shortly on the teach-button. The yellow LED switches Off and then On again after a maximum of 2 seconds. Now, the distance (P1) is saved in the sensor, and the target can be moved. I)
 - 3) Place the target at the minimum distance requested (P2), then press shortly on the teach-button. The yellow LED turns Off and then flashes 5 times. Now, the distance (P2) is saved in the sensor and the target can be moved. II)
- I) P1 can be set to maximum exceeding the family specification for the sensor by removing the target in front of the sensor. Push and hold the teach-button more than one second and the sensing distance is set at a unique distance for this sensor only. Do not use this function for an analogue output.
- II) The second switch point can be set to minimum by setting the target within the blind zone close to the sensor head or by covering the sensor head with your hand while teaching P2.

Sensors with 1 digital output and one analogue output UA..EAD..PG/PK/NG or NK types

- 1) The factory settings are Normally Open (N.O.) for the digital output and positive slope for the analogue output.

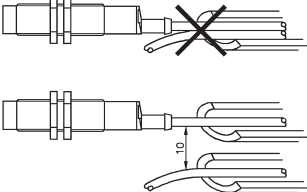
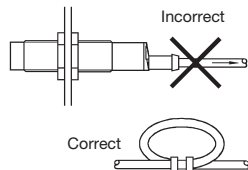
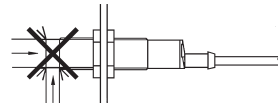
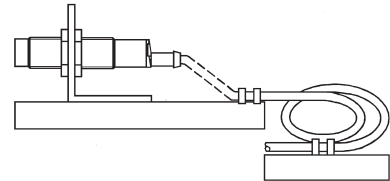


- 2) To reverse the slope to negative and reverse the N.O. output to N.C., push the teach-button for 8 seconds (12 for UC18EAD15..) until the yellow LED flashes fast. Release the teach-button and the LED will flash 5 times to acknowledge the change in function.



- 3) To switch back to positive slope or N.O. output, repeat step 2.

Installation Hints

<p>To avoid interference from inductive voltage/current peaks, separate the prox. switch power cables from any other power cables, e.g. motor, contactor or solenoid cables</p> 	<p>Relief of cable strain</p>  <p>Incorrect</p> <p>Correct</p> <p>The cable should not be pulled</p>	<p>Protection of the sensing face</p>  <p>A proximity switch should not serve as mechanical stop</p>	<p>Switch mounted on mobile carrier</p>  <p>Any repetitive flexing of the cable should be avoided</p>
---	---	---	--

Delivery Contents

- Ultrasonic sensor: UA18EAD....
- Installation instruction
- Mounting: 2 x M18 Nuts
- **Packaging:** Carton box 35 x 107 x 173 mm