

## US30 SERIES - analogue output - ultrasonic sensors

### INSTRUCTION MANUAL

#### CONTROLS

##### Programming push-button (ANALOG)

This push-button allows to program the reading points of the sensor.

##### Response time selection push-button (MODE)

This push-button allows to select the response time (Fast or Slow).

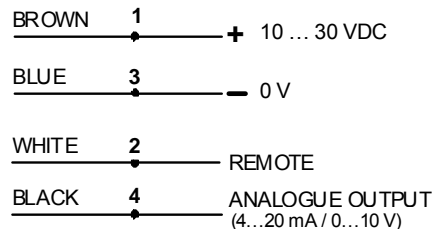
POWER LED indicator	Indication
OFF	Power is OFF.
ON Red	Target is weak or outside sensing range.
ON Green	Sensor is operating in normal conditions.

OUT LED indicator	Indication
OFF	Target is outside operating field (NO operating mode)
ON Yellow	Target is inside operating field (NO operating mode)

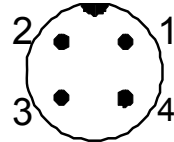
SIGNAL LED indicator	Indication
OFF	Target is outside operating field
Blinking Red	Target is inside operating field

MODE LED indicator	Indication
ON Amber	Indicates response time selected (Fast or Slow)

#### CONNECTIONS



#### 4-POLE M12 CONNECTOR



#### PRINCIPLES OF OPERATION

Ultrasonic sensors emit a series of ultrasonic energy pulses, which travel through the air at the speed of sound. A portion of this energy is reflected by the target and travels back to the sensor. The sensor measures the total time required for the energy to reach the target and return to the sensor. The distance to the object is then calculated using the following formula:

$$D = \frac{ct}{2}$$

D = Distance from the sensor to the target  
c = Speed of sound in the air  
T = Transit time for the signal

To improve accuracy, an ultrasonic sensor elaborates the average results of several pulses before activating the output.

##### Temperature effects

The speed of sound depends on the composition, pressure and temperature of the gas in which it is travelling. For most ultrasonic applications, the composition and pressure of the gas are relatively fixed, while the temperature may vary.

In air, the speed of sound varies according to the following approximate formulas:

$$C_{m/s} = 20 \sqrt{273 + T_c}$$

C<sub>m/s</sub> = Speed of sound in meters per second  
T<sub>c</sub> = Temperature in °C

##### Temperature Compensation

Changes in air temperature affect the speed of sound, which in turn affects the distance reading measured by the sensor. An increase in air temperature shifts both sensing window limits closer to the sensor. Viceversa, a decrease in air temperature shifts both limits farther away from the sensor. This shift is approximately 3.5% of the limit distance for a 20° C change in temperature. The US30 ultrasonic sensors are temperature compensated. This reduces the error due to temperature by about 90%. The sensor will maintain its window limits to within 2.2% over the -40° to +70°C range.

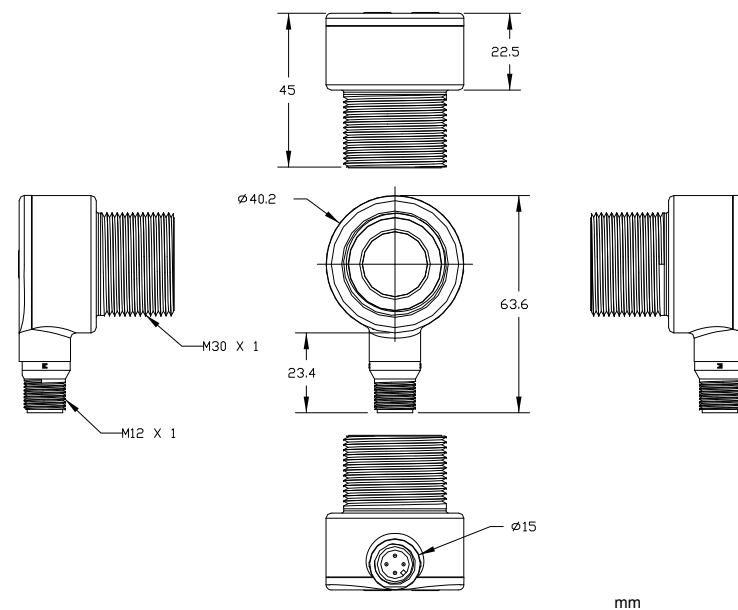
##### Notes:

- Exposure to direct sunlight can affect the sensor's ability to accurately compensate for changes in temperature.
- If the sensor is measuring across a temperature gradient, the compensation will be less effective.

#### TECHNICAL DATA

	US30-XX-N13-IH	US30-XX-N13-VH	US30-XX-N23-IH	US30-XX-N23-VH
Power supply:	10 ... 30 VDC (Class 2 UL508) reverse polarity protection			
Ripple:	≤ 2 Vpp			
Consumption (load current excluded):	40mA max.			
Analogue output configuration:	Voltage output: 4...20 mA	Voltage output: 0...10 V	Voltage output: 4...20 mA	Voltage output: 0...10 V
	Short-circuit protection			
Outputs:	<b>Voltage output:</b> 2.5 KΩ minimum load resistance. Minimum supply for a full 10V output is 12Vdc (for supply voltages between 10 and 12V, out max is at least V supply - 2V) <b>Current output:</b> Max load resistance = (Vcc-4)/0.02 Ω. Example, at Vin = 24V, R ≈ 1KΩ (1watt) For Vdc = 24V, R ≈ 1KΩ (1 watt).			
Response time:	Selectable: 45 ms (fast), 105 ms (slow)		Selectable: 92 ms (fast), 222 ms (slow)	
Switching frequency:	11 Hz (fast), 4.7 Hz (slow)		5.4 Hz (fast), 2.2 Hz (slow)	
Indicators:	Power On LED (GREEN), Out LED (YELLOW), Signal LED (RED), Time Response Mode LEDs (YELLOW)			
Setting:	ANALOG push-button, remote command input (remote teach). Minimum and maximum detection limits can be programmed using the ANALOG push-button or remote input.			
Remote input levels:	Active: V <sub>LOW</sub> ≤ 2 V @ 1mA Disabled: V <sub>HIGH</sub> ≥ 5V @ 50uA (leakage current)			
Delay at Power On:	500 ms			
Temperature effect:	0.02% of distance /°C			
Temperature drift:	< 1 % of reading distance			
Linearity:	0.25% of distance			
Resolution:	0,1 % of distance (0.5 mm min.)		0,1 % of distance (1 mm min.)	
Minimum reading window size:	10 mm			
Ultrasonic emission frequency:	224 KHz		174 KHz	
Operating temperature:	-40 ... 70 °C			
Storage temperature:	-40 ... 70 °C			
Maximum relative humidity:	95% a 50°C (without condensation)			
Operating distance (typical values):	100...1000 mm		200...2000 mm	
Vibrations:	0.5 mm amplitude, 10...55 Hz frequency, for every axis (EN60068-2-6)			
Shock resistance:	11 ms (30 G) shock for every axis (EN60068-2-27)			
Reference standard:	EN60947-5-2			
Housing material:	PBT polyester			
Push-button material:	Polyester			
Mechanical protection:	IP67			
Connections:	M12 4-pol connector			
Weight:	68 g			

#### DIMENSIONS



#### SENSOR PROGRAMMING

Two TEACH methods may be used to program the sensor:

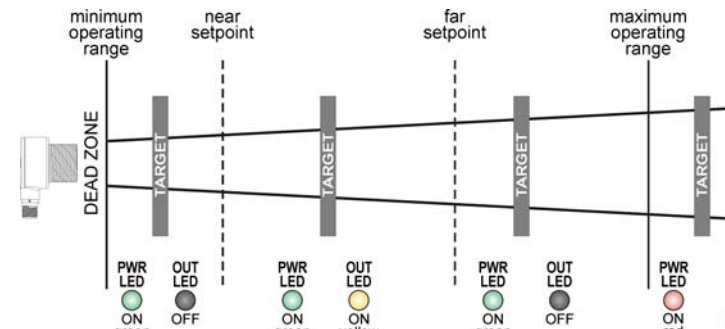
- Detect minimum and maximum limits, or
- Use Auto-Window feature to centre a sensing window around the taught position.



The sensor may be programmed either via ANALOG push-button, or via a remote command (remote teach). Remote programming may be used to disable the push-button, preventing unauthorized personnel from adjusting the programming settings. To access this feature, connect the Remote Teach wire of the sensor to 0 Vdc, with a remote configuration switch between the sensor and the voltage.

Programming is accomplished by following the sequence of input pulses. The duration of each pulse (corresponding to a push-button "click"), and the period between multiple pulses, are defined as "T".

#### 0.04 seconds < T < 0.8 seconds



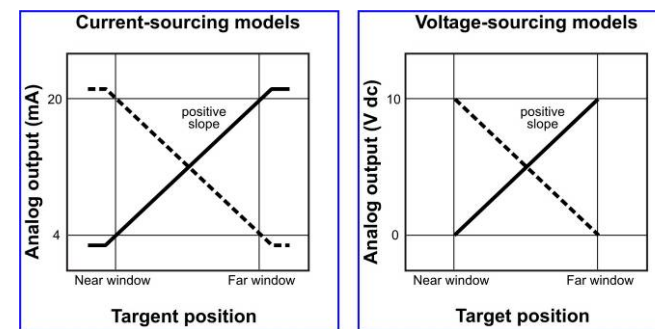
Indication of sensor status and relative signals

#### Positive or negative output slope programming

The sensor may be programmed for either a positive or a negative output slope, based on which limit is taught first (see pictures).

- If the Minimum limit is taught first, the slope will be positive.
- If the Maximum limit is taught first, the slope will be negative.

The analogue output signal, is automatically distributed over the width of programmed sensing window. In the event of signal loss for more than 2 sec., the analogue output goes to 3.6mA or 0Vdc, which may be used to trigger an alarm.



	ANALOG push-button		REMOTE Line	
	Procedure	LED indicators	Procedure	LED indicators
<b>TEACH Mode</b>	Push and hold ANALOG push-button for >2sec.	LED OUT: ON LED PWR: OFF	No action required. Sensor is ready for 1st limit teach	None.
<b>TEACH First Limit</b>	Position the target for the first limit	LED SIGNAL: must be on or blinking	Position target for the first limit	LED SIGNAL: must be on or blinking
	Press ANALOG push-button for the first limit	Teach accepted: LED PWR: OFF LED OUT: Blinking Teach not accepted: LED OUT: ON	Single-pulse the remote line (0.04 s < T < 0.8 s).	Teach accepted: LED PWR: ON LED OUT: ON Teach not accepted: LED PWR: ON
<b>TEACH Second Limit</b>	Position the target for the second limit	LED SIGNAL: must be on or blinking	Position target for the second limit	LED SIGNAL: must be on or blinking
	Press ANALOG push-button for the second limit	Teach accepted: LED PWR: ON LED OUT: ON Teach not accepted: LED PWR: OFF LED OUT: Blinking.	Single-pulse the remote line (0.04 s < T < 0.8 s).	Teach accepted LED PWR: ON LED OUT: ON Teach not accepted: LED PWR: OFF LED OUT: Blinking.

**NOTE:** the duration of each pulse (remote teach) and the period between multiple pulses are defined as "T" and must be included between 0.04 s and 0.8 s (0.04 s < T < 0.8 s).

#### Teaching limits using the Auto-Window feature

Teaching the same limit twice for the same output automatically centres a 100mm window on the taught position (± 50 mm).

	DISCRETE push-button		REMOTE Line	
	Procedure	LED indicators	Procedure	LED indicators
<b>TEACH Mode</b>	Push and hold ANALOG push-button for >2sec	LED OUT: ON LED PWR: OFF	No action required. Sensor is ready for 1st limit teach	None
<b>TEACH First Limit</b>	Position the target for the first limit	LED SIGNAL: must be on or blinking	Position target for the first limit	LED SIGNAL: must be on or blinking
	Press ANALOG push-button	Teach accepted: LED PWR: OFF LED OUT: Blinking Teach not accepted: LED OUT: ON	Single-pulse the remote line (0.04 s < T < 0.8 s).	Teach accepted: LED PWR: OFF LED OUT: ON Teach not accepted: LED PWR: ON
<b>Re-TEACH Limit</b>	Press ANALOG push-button again without moving target	Teach accepted: LED PWR: ON LED OUT: ON Teach not accepted: LED PWR: OFF LED OUT: Blinking	Pulse again the remote line without moving the target (0.04 s < T < 0.8 s).	Teach accepted: LED PWR: ON LED OUT: ON Teach not accepted: LED PWR: OFF LED OUT: Blinking

#### General Notes on Programming

The sensor will return to RUN mode if the first TEACH condition is not registered within 120 seconds. After the first limit is taught, the sensor will remain in PROGRAM mode until the TEACH sequence is finished.

To exit PROGRAM mode without saving any changes, press and hold the programming push button > 2 seconds (before teaching the second limit). The sensor will revert to the last saved program.

#### Response time selection (Fast or Slow)

Two different response times can be selected using the MODE push-button or remote line.

	MODE push-button		REMOTE Line	
	Procedure	LED indicators	Procedure	LED indicators
<b>TEACH Mode</b>	Push and hold MODE push-button for >2sec	LED PWR: OFF LED MODE: Blinking amber LED shows previously selected mode	Double-pulse the remote line	LED PWR: OFF LED MODE: Blinking amber LED shows previously selected mode
<b>Output selection</b>	Press MODE to choose between FAST or SLOW	LED PWR: OFF LED MODE: Blinking amber LED shows currently selected mode.	Single pulse: SLOW Double pulse: FAST	LED PWR: ON LED MODE: Blinking amber LED shows currently selected mode.
<b>Save and activate new mode</b>	Push and hold MODE push-button for >2sec	LED PWR: ON LED MODE: Blinking amber LED shows currently selected mode.	None. Sensor exits programming procedure.	None.

Please refer to the document "Sensor Configuration" for advanced functions.

The sensors are NOT safety devices, and so MUST NOT be used in the safety control of the machines where installed.

#### DECLARATION OF CONFORMITY

We Datalogic Automation declare under our sole responsibility that these products are conform to the 2004/108/CE and successive amendments.

#### WARRANTY

Datalogic Automation warrants its products to be free from defects. Datalogic Automation will repair or replace, free of charge, any product found to be defective during the warranty period of 36 months from the manufacturing date. This warranty does not cover damage or liability deriving from the improper application of Datalogic Automation products.

#### DATALOGIC AUTOMATION srl

Via Lavino 265 - 40050 Monte S.Pietro - Bologna - Italy  
Tel: +39 051 6765611 - Fax: +39 051 6759324 www.datalogic.com

DATALOGIC AUTOMATION cares for the environment: 100% recycled paper. DATALOGIC AUTOMATION reserves the right to make modifications and improvements without prior notification.

© 2009 - 2014 Datalogic Automation - ALL RIGHTS RESERVED - Protected to the fullest extent under U.S. and international laws. \* Copying, or altering of this document is prohibited without express written consent from Datalogic Automation. Datalogic and the Datalogic logo are registered trademarks of Datalogic S.p.A. in many countries, including the U.S.A. and the E.U.