

Pulsers AFZ W



Timer relay in a housing for front panel mounting – pulse on switching on

Features

- Short circuit-proof semiconductor output
- Voltage surge protected

Technical details	AFZ W
Electrical data	
Supply voltage	DC: 24 V
Tolerance	85 ... 110 %
Power consumption	DC: 0.3 W
Output	1 semiconductor
Output current	30 mA short circuit-proof
Times	
Pulse time	0.05 ... 1 s; 0.15 ... 3 s; 0.5 ... 10 s; 1.5 ... 30 s; 5 ... 100 s; 15 ... 300 s
Recovery time	25 ms
Repetition accuracy	±1 %
Voltage variation	±0.03 %/% ΔU
Temperature variation	±0.15 %/°C
Mechanical data	
Max. cross-section of the ext. conductor	1 x 1.5 mm ² Single-core or multi-core with crimp connectors
Torque setting for connection terminals	0.6 Nm screws
Dimensions (∅ x D)	29 x 34 mm
Weight	20 g

Description

The timer relay is enclosed in a 22.5 mm housing for front-panel mounting. There are 6 versions available for one supply voltage. Features:

- PNP transistor output
- Absolute scale, with control knob
- Digital circuit
- LED for supply voltage
Can be connected using three-wire system: +24 V, 0 V, output Y

In conjunction with the APN, the device can be used as 22.5 mm Ø timer relay. The AFZ is supplied with voltage from the APN and then switches the APN's output relay. The AFZ can also be connected directly to a PLC for adjusting timer settings.

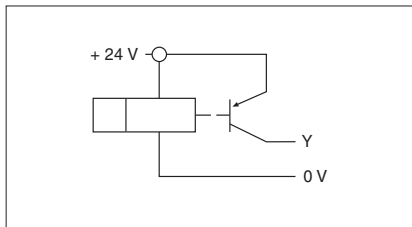
Once the supply voltage has been applied to terminal +24 V, the "Power" LED is on. 24 V is supplied at terminal Y. The pulse time t_w elapses, 0 V is supplied at terminal Y. The LED continues to be on. If the supply voltage is interrupted, the LED goes out, 0 V is supplied at terminal Y.

Accessories

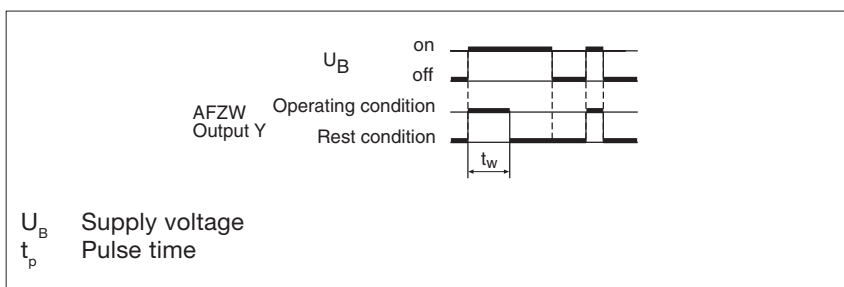
- Reducer ring for Ø 30 mm hole; for a 30 mm hole, 2 reducer rings are required.
- APN

Pulsers AFZ W

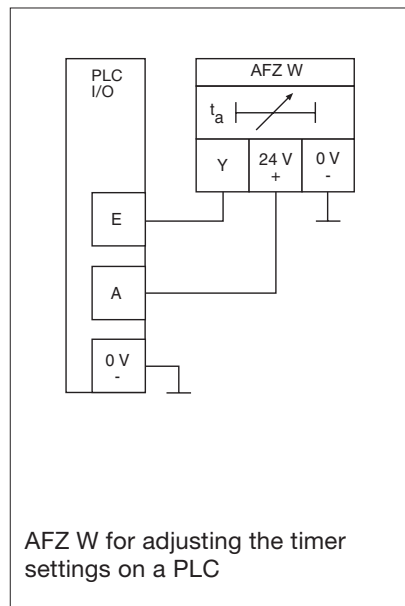
Internal wiring diagram



Pulse diagram



Connection example



Pulsers AFZ W

General details

Unless stated otherwise in the technical details for the specific unit.

Electrical data

Frequency range AC	50 ... 60 Hz
Residual ripple DC	160 %
Contact material	AgCdO
Continuous duty	100 %

Environmental data

EMC	EN 50081-1, 01/92; EN 50082-2, 03/95	
Vibrations in accordance with EN 60068-2-6, 04/95	Frequency: 10 ... 55 Hz, Amplitude: 0.35 mm	
Climatic suitability	IEC 60068-2-3, 1969	
Airgap creepage	DIN VDE 0110-1, 04/97	
Ambient temperature	-10 ... +55 °C	
Storage temperature	-40 ... +85 °C	

Mechanical data

Torque setting for connection terminals	0.6 Nm (screws)
Mounting position	Any
Housing material	Thermoplastic Noryl SE 100
Protection types	Mounting: IP 54 Housing: IP 40 Terminals: IP 20

The units were tested in accordance with the standards applicable at the time of development.

Order reference key

U_B Supply voltage
 t_w Pulse time

Order reference

Type	t_w	U_B	Order no.
AFZ W	1 s	24 VDC	350 002
AFZ W	3 s	24 VDC	350 007
AFZ W	10 s	24 VDC	350 012
AFZ W	30 s	24 VDC	350 017
AFZ W	100 s	24 VDC	350 022
AFZ W	300 s	24 VDC	350 027

Order reference, accessories

Type	Order no.
Reducer ring for Ø 30 mm hole	374 007