

Overview ..... 0

Cabinets ..... 1

Wall mounted cases ..... 2

Accessories for cabinets and wall mounted cases 3

Climate control 4

Desk-top cases 5

Subracks/ 19" chassis ... 6

Front panels, plug-in units .. 7

Systems ..... 8

Power supply units ..... 9

Backplanes .. 10

Connectors, front panel component system ..... 11

Appendix .... 12

## Cabinets - Outdoor



41602001



41603009



41603010



41603005

The dual wall concept provides a natural airflow between the outer and inner wall, substantially reducing the requirement for additional heat removal.

Optimal protection from vandalism thanks to a fixing accessible only from within. Easily exchangeable exterior cladding components.

The gasketing material can be selected to suit the requirements (IP protection, EMC shielding) and may be exchanged subsequently.

### Standard / Certifications

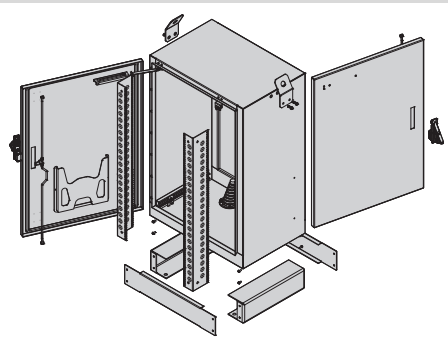
- External dimensions in accordance with IEC 619691/2, IEC 6091721
- Internal dimensions in accordance with ETS 300119, part 2
- Type of protection IP 55 in accordance with IEC 60529
- Protective GND/earthing connections in accordance with DIN EN 50178 / VDE 0160
- Vibration in accordance with IEC 619693 class 2



Downloads and further important information can be found on the Internet under [www.schroff.biz](http://www.schroff.biz)

## Outdoor cabinet for the most challenging operating conditions

- High stability up to earthquake resistance
- Weight-saving aluminium construction
- Assembly possibilities with 19", ETSI or other accessories
- Tested thermal concepts available
- IP 55 and security against vandalism



41612054

### COMLINE: single wall

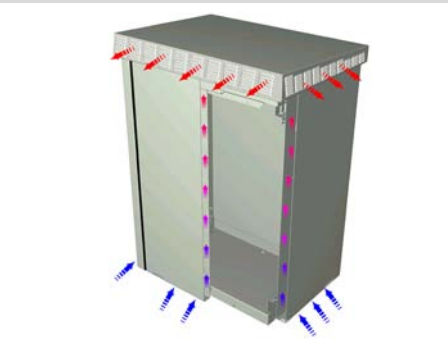
Weight-saving aluminium construction. Single wall cabinet ready for wall, pole or ground installation. Optimal for diverse applications in industry, transportation and communication.

Versions

- ECL - single access (front door)
- FTTX - single access (front door) and dual access (front and rear door)

### COMLINE

- ECL - single access ..... 1.328
- FTTX - single and dual access ..... 1.329



41603054

### Unibody

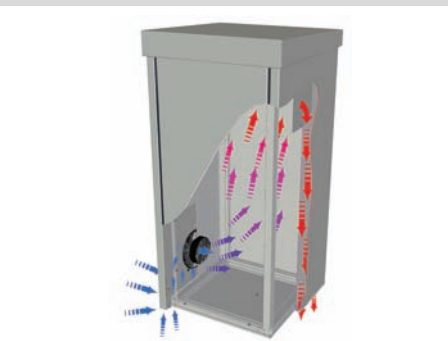
Cost-effective inner case with removable outer cladding. This version has advantages especially for small cabinets. If accessed through the front door, it meets the installation requirements.

Versions

- With natural convection
- With fan
- With heat exchanger

### Outdoor Unibody

- Unibody ..... 1.322
- Unibody VENT .. 1.323
- Unibody HEX ... 1.324
- Wall mounting kit ..... 1.325



41603051

### Modular

Aluminium profile frame with removable, double-walled cladding. This version has advantages especially for large cabinets and if access from all sides is needed.

Versions

- With fan
- With heat exchanger

### Outdoor Modular

- Modular VENT .. 1.326
- Modular HEX ... 1.327



30407004

### ServicePLUS from page 1.330

- e. g. individual configurations also with air conditioners
- e. g. custom solutions (electrical, thermal, backup power supplies, special sizes)

[www.schroff.biz/ServicePLUS](http://www.schroff.biz/ServicePLUS)

### Accessories

- Metric panel/slide mounts .... 1.328
- 19" panel/slide mounts ..... 1.329

ServicePLUS .. 1.330

# Cabinets - Outdoor - COMLINE

## Outdoor COMLINE ECL



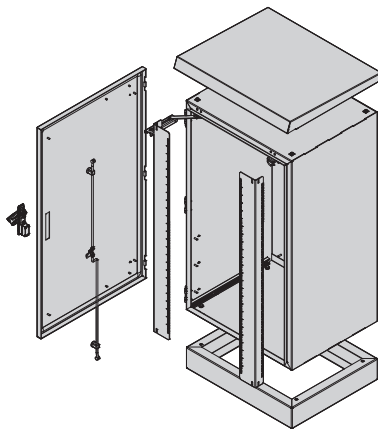
Drawing shows version with with plinth

41612001

- Single wall, lightweight aluminium cabinet
- Heat dissipation through natural convection
- IP 55
- 2 versions
  - With plinth
  - Without plinth

### Delivery comprises

Item	Qty	Description
1	1	Body, single wall, Al, 2.5 mm, RAL 7035
2	1	Front door, Al, 2.5 mm, RAL 7035, 3-point locking, lever handle with DIN profile half cylinder, door opening angle 135°, door retainer at 110°, door hinged on left hand side; electrical door switch
3	1	Solar shield top cover, Al, 2 mm, RAL 7035
4	1	Plinth, Al, 3 mm, height 120 mm (only for version with plinth)
5	2	19"/23" panel/slide mounts, St, galvanised, 2.5 mm
6	1	GND/earthing kit, assembled



Drawing shows version with plinth

41612052

### Order Information

Height H	Height H	Width W	Depth D	With plinth	Without plinth
U	mm	mm	mm	Part no.	Part no.
12	600	600	500	12349-001	12349-009
18	900	600	500	12349-002	12349-010
18	900	700	600	12349-003	12349-011
25	1200	700	600	12349-004	12349-012

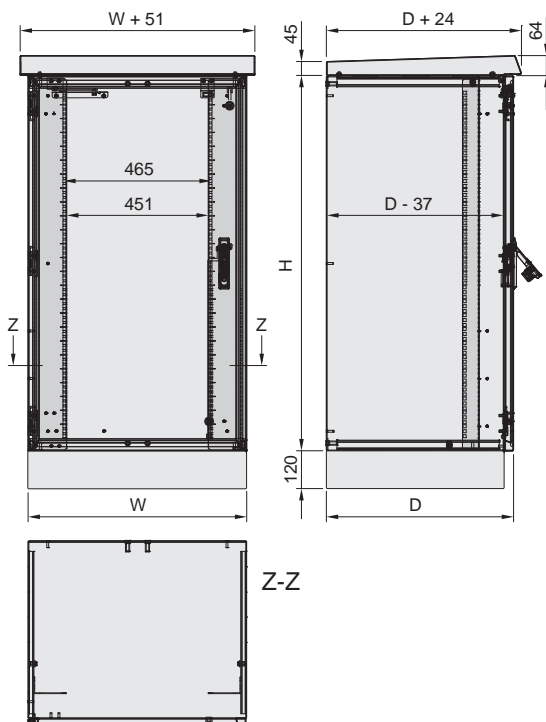
Height dimensions without plinth (120 mm)

### Note

- 19"/23" panel/slide mount kit see page 1.319



For further information [www.schroff.biz/oneclick](http://www.schroff.biz/oneclick)  
oneClick search code = Part no.

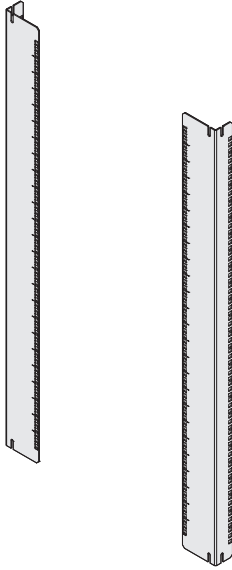


Drawing shows version with plinth  
Door opening height =  $H - 75$  mm;  
door opening width =  $W - 75$  mm

41612050

## Cabinets - Outdoor - COMLINE

### 19"/23" panel/slide mount kit for COMLINE ECL



- For fitting to depth member (25 mm grid)
- For recessed installation of 19"/23" components
- Slide rails can be fitted
- Load-carrying capacity 400 kg

#### Delivery comprises

Item	Qty	Description
1	2	19"/23" panel/slide mount, St, galvanised, 2.5 mm
2	1	Assembly kit

#### Order Information

For cabinet height		For cabinet width	Part no.
U	mm	mm	
12	600	600	22349-024
18	900	600	22349-025
18	900	700	22349-026
25	1200	700	22349-027

41612057



For further information [www.schroff.biz/oneclick](http://www.schroff.biz/oneclick)  
oneClick search code = Part no.

# Cabinets - Outdoor - COMLINE

## Outdoor COMLINE FTTX

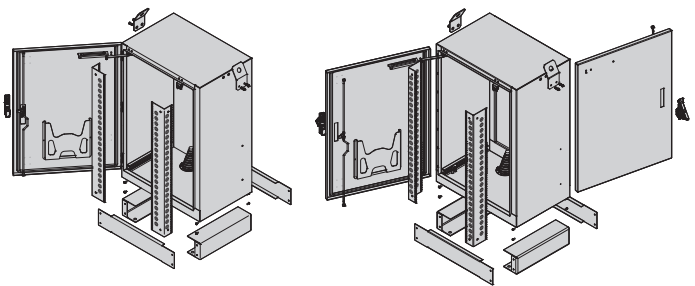


41612003

- Single wall, lightweight aluminium cabinet
- Insulated cabinet
- IP 55
- 2 versions with plinth
  - Single access (front door)
  - Dual access (front and rear door)

### Delivery comprises

Item	Qty	Description
1	1	Body, Al, 2.5 mm, RAL 7035, single wall side panels, insulation thickness 12 mm, non inflammable; 3 cable entry boots are mounted in base for various sizes of cables, 2 removeable lifting brackets
2	1/2	Door, Al, 2.5 mm, RAL 7035, 3-point locking, lever handle with DIN profile half cylinder (1242E), door opening angle 135°, door retainer at 110°, door hinged on left hand side; electrical door switch
3	1	Plinth, Al, 3 mm, height 140 mm
4	2	19"/23" panel/slide mounts, galvanised St, 2.5 mm
5	1	Document pocket, thermoplastic (part no. <b>ADP2</b> )
6	1	GND/earthing kit, assembled



41612053

41612054

Single access

Dual access

### Order Information

Height H	Height H	Width W	Depth D	Dual access	Single access
U	mm	mm	mm	Part no.	Part no.
12	600	800	600	12349-007	12349-005
25	1200	800	600	12349-008	12349-006

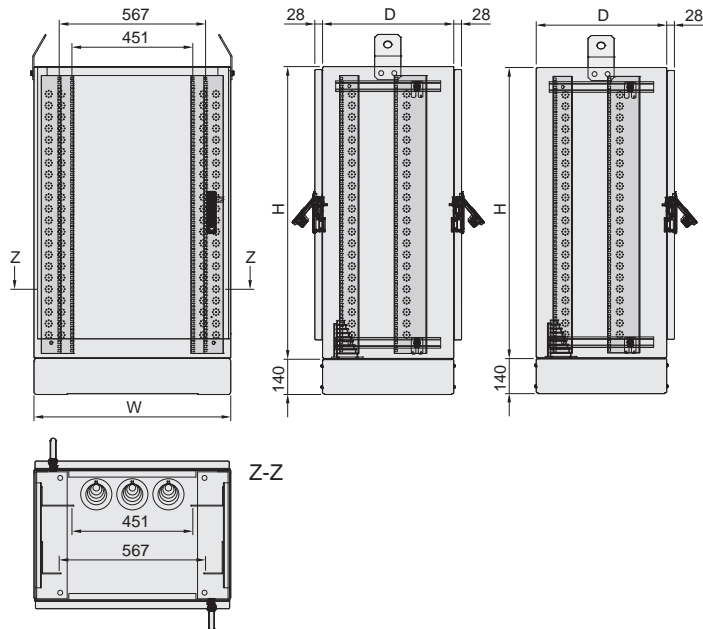
Dimensions without plinth (140 mm)

### Note

- 19"/23" panel/slide mount kit see page 1.321
- Cable entry see page 1.321
- Spool for fibre optic cables see page 1.321



For further information [www.schroff.biz/oneclick](http://www.schroff.biz/oneclick)  
oneClick search code = Part no.



41612055

41612056

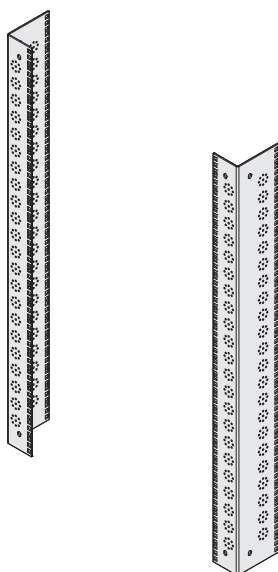
Double access

Single access

Height of door opening = H - 270 mm;  
width of door opening = W - 100 mm

## Cabinets - Outdoor - COMLINE

### 19"/23" panel/slide mount kit for COMLINE FTTX



41612058

- For fitting to depth member (25 mm grid)
- For recessed installation of 19"/23" components
- Slide rails can be fitted
- Load-carrying capacity 400 kg

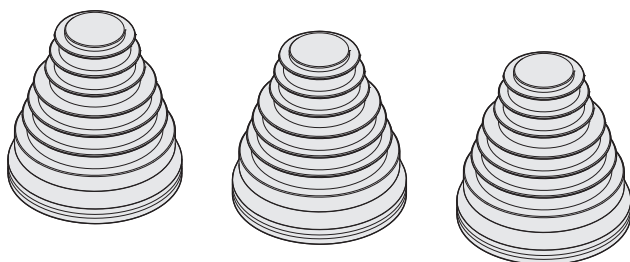
#### Delivery comprises

Item	Qty	Description
1	2	19"/23" panel/slide mount, St, galvanised, 2.5 mm
2	1	Assembly kit

#### Order Information

For cabinet height	For cabinet height	Usable height	Part no.
U	mm	U	
12	600	10	22349-032
25	1200	23	22349-033

### Cable entry



41612059

- For cable ducting through the base of the cabinet

#### Delivery comprises

Item	Qty	Description
1	3	Cable entry, for cable diameter 30 ... 72 mm, EPDM, RAL 7035

#### Order Information

Cable entry	22349-034
-------------	-----------



For further information [www.schroff.biz/oneclick](http://www.schroff.biz/oneclick)  
oneClick search code = Part no.

### Spool for fibre optic cables



FTTXMoldedRadiusModules

#### Delivery comprises

Item	Qty	Description
1	4	Spool for fibre optic cables, molded from black plastic
2	4	Screws, M5

#### Order Information

Description	Part no.
Spool for fibre optic cables	TOPTKSPL

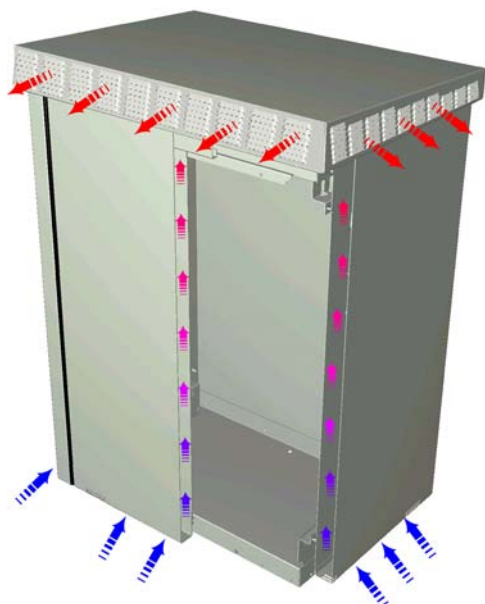


For further information [www.schroff.biz/oneclick](http://www.schroff.biz/oneclick)  
oneClick search code = Part no.



# Cabinets - Outdoor - Unibody

## Unibody



- One-piece inner case with removable outer cladding
- Heat dissipation through natural convection, max. 6 W/K
- IP 55
- Double-walled, Al

### Delivery comprises (assembled)

Item	Qty	Description
1	1	Internal case, Al
2	2	Side panel, Al, RAL 7035
3	1	Front door, Al, RAL 7035, 3-point locking, lever handle with DIN profile half cylinder, door opening angle 135°, door retainer at 120°, door hinged on left hand side
4	1	Rear panel, Al, RAL 7035
5	1	Top cover, Al, RAL 7035
6	1	Plinth with removable covers (front and sides), height 100 mm
7	1	Base plate with cable connection plate, Al
8	4	Depth member for 19" metric panel/slide mounts
9	1	GND/earthing kit, assembled

### Order Information

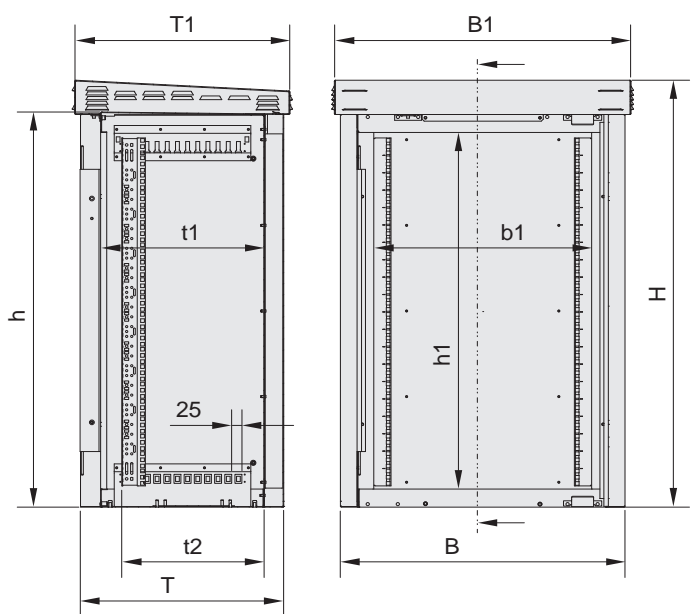
Height	Height	Width	Depth	q <sub>w</sub>	Part no.
U	mm	mm	mm	W/K	
16	930	700	500	5	11249-003
20	1100	700	500	6	11249-005
<b>Wall mounting kit 1 kit</b>					<b>21249-017</b>

q<sub>w</sub> = specific heat dissipation capacity

- Please order wall mounting material separately, see page 1.325
- Please order panel/slide mounts separately, see page 1.328



For further information [www.schroff.biz/oneclick](http://www.schroff.biz/oneclick)  
oneClick search code = Part no.



41603058

H <sup>*)</sup>	H	B	T	h	b <sub>1</sub>	t <sub>1</sub>	t <sub>2</sub>	h <sub>1</sub>	B <sub>1</sub>	T <sub>1</sub>
mm	U	mm	mm	mm	mm	mm	mm	mm	mm	mm
930	16	700	500	838	536	400	350	736	730	530
1100	20	700	500	1013	536	400	350	911	730	530

t<sub>2</sub> = max. 19" assembly dimension

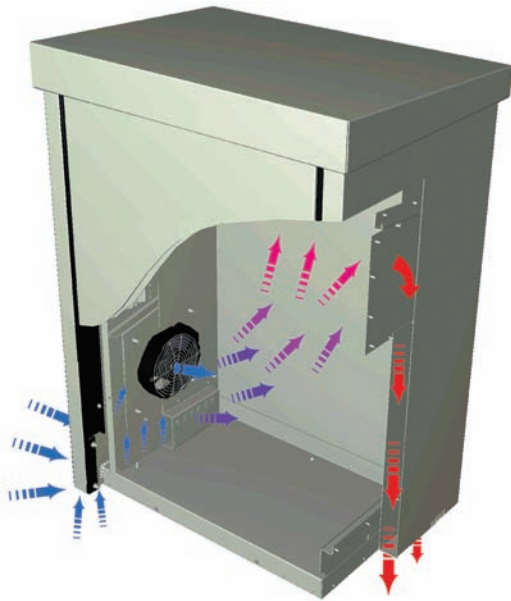
\*) height without base/plinth (base/plinth height 100 mm)



ServicePLUS see page 1.330

# Cabinets - Outdoor - Unibody

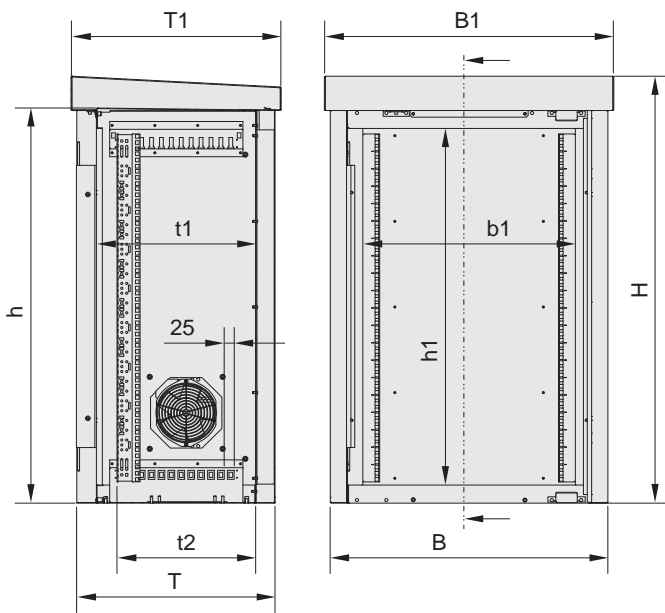
## Unibody VENT



- One-piece inner case with removable outer cladding
- Forced heat dissipation via fan assembled in side panel, max. 35 W/K
- IP 55
- Double-walled, Al

### Delivery comprises (assembled)

Item	Qty	Description
1	1	Internal case, Al
2	2	Side panel, Al, RAL 7035
3	1	Front door, Al, RAL 7035, 3-point locking, lever handle with DIN profile half cylinder, door opening angle 135°, door retainer at 120°, door hinged on left hand side
4	1	Rear panel, Al, RAL 7035
5	1	Top cover, Al, RAL 7035
6	1	Plinth with removable covers (front and sides), height 100 mm
7	1	Base plate with cable connection plate, Al
8	4	Depth member for 19" metrical panel/slide mounts
9	1	GND/earthing kit, assembled
10	1	Axial fan (side mounted), airflow volume: 360 m <sup>3</sup> /h, 230 V <sub>AC</sub> , 50 Hz, noise level less than 53 dB(A), max. pressure: 176 Pa, power consumption: 35 W, mains supply to screw terminal block
11	1	Filter mat
12	1	Thermostat, complete with cable



### Order Information

Height	Height	Width	Depth	q <sub>w</sub>	Part no.
U	mm	mm	mm	W/K	
16	930	700	500	35	11249-007
20	1100	700	500	35	11249-009
25	1330	700	500	35	11249-012
<b>Replacement fan 230 V<sub>AC</sub> 1 piece</b>					21149-185
<b>Air filter for fan 10 pieces</b>					21149-184
<b>Wall mounting kit 1 kit</b>					21249-017

q<sub>w</sub> = specific heat dissipation capacity

- Please order wall mounting material separately, see page 1.325
- Please order panel/slide mounts separately, see page 1.328

H*)	H	B	T	h	b <sub>1</sub>	t <sub>1</sub>	t <sub>2</sub>	h <sub>1</sub>	B <sub>1</sub>	T <sub>1</sub>
mm	U	mm	mm	mm	mm	mm	mm	mm	mm	mm
930	16	700	500	838	536	400	350	736	730	530
1100	20	700	500	1013	536	400	350	911	730	530
1330	25	700	500	1238	536	400	350	1136	730	530

t<sub>2</sub> = max. 19" assembly dimension  
 \*) height without base/plinth (base/plinth height 100 mm)

### Calculation example at 35 W/K:

(Values as per ETS 300019-1-4 Class 4.1)  
 Internal temperature 50° C - external temperature 40° C = 10 K.  
 Up to 350 W of dissipation loss can thus be installed.  
 (35 W/K x 10 K).



ServicePLUS see page 1.330

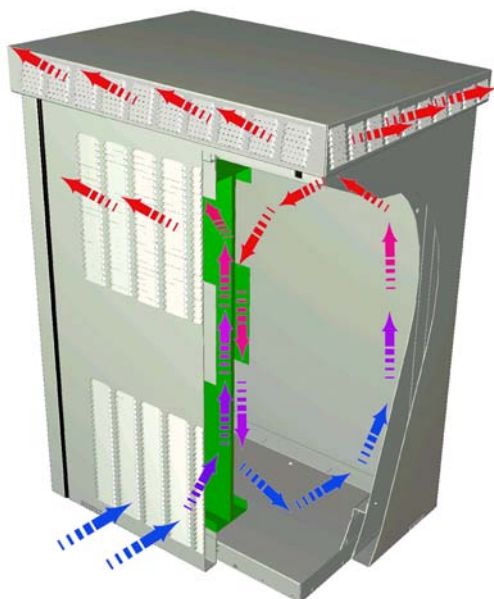


For further information [www.schroff.biz/oneclick](http://www.schroff.biz/oneclick)  
 oneClick search code = Part no.



# Cabinets - Outdoor - Unibody

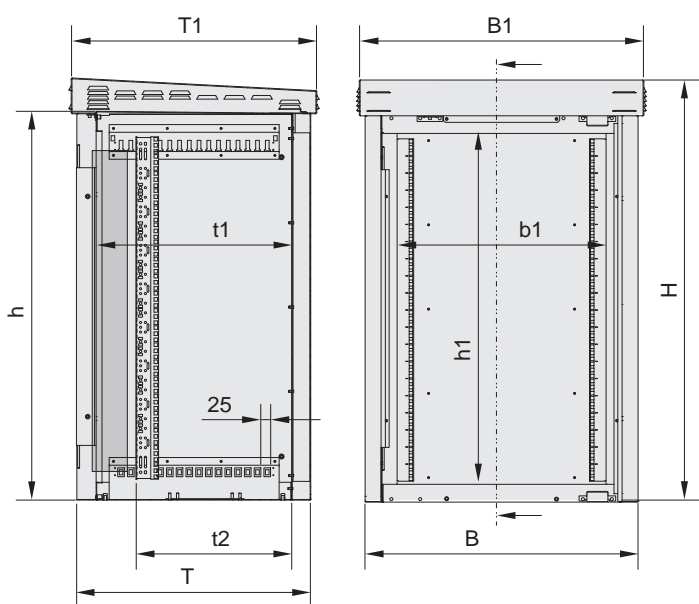
## Unibody HEX



- One-piece inner case with removable outer cladding
- Forced heat dissipation via integrated heat exchanger in the door, max. 70 W/K
- IP 55
- Double-walled, Al

### Delivery comprises (assembled)

Item	Qty	Description
1	1	Internal case, Al
2	2	Side panel, Al, RAL 7035
3	1	Front door, Al, RAL 7035, 3-point locking, lever handle with DIN profile half cylinder, door opening angle 135°, door retainer at 120°, door hinged on left hand side
4	1	Rear panel, Al, RAL 7035
5	1	Top cover, Al, RAL 7035
6	1	Plinth with removable covers (front and sides), height 100 mm
7	1	Base plate with cable connection plate
8	4	Depth member for 19" metric panel/slide mounts
9	1	GND/earthing kit, assembled
10	1	Heat exchanger 48 V <sub>DC</sub> (electronically regulated with alarm outputs), incl. temperature sensor, heater and DC connecting cable with IEC plug, 3 m



H*)	H	B	T	h	b <sub>1</sub>	t <sub>1</sub>	t <sub>2</sub>	h <sub>1</sub>	B <sub>1</sub>	T <sub>1</sub>
mm	U	mm	mm	mm	mm	mm	mm	mm	mm	mm
1330	25	700	600	1238	536	500	400	1136	730	630

t<sub>2</sub> = max. 19" assembly dimension

\*) height without base/plinth (base/plinth height 100 mm)

### Calculation example at 70 W/K:

(Values as per ETS 300019-1-4 Class 4.1)

Internal temperature 50° C - external temperature 40° C = 10 K.

Up to 700 W of dissipation loss can thus be installed.

(70 W/K x 10 K).



ServicePLUS see page 1.330

### Order Information

Height U	Height mm	Width mm	Depth mm	q <sub>w</sub> W/K	Part no.
25	1330	700	600	70	11249-016
<b>Wall mounting kit 1 kit</b>					21249-017

q<sub>w</sub> = specific heat dissipation capacity, average values

### Technical data heat exchanger

	WT 70
Dimensions (height x width x depth)	1010 x 465 x 150 mm
Heater (input voltage/capacity)	230 V <sub>AC</sub> /1000 W
Specific heat dissipation capacity	70 W/K
Fan	2 pieces
Input voltage	48 V <sub>DC</sub>
Airflow volume external circuit	510 m <sup>3</sup> /h
Airflow volume internal circuit	600 m <sup>3</sup> /h
Temperature range	-40 ... 50 °C
Type of protection	IP 55
Weight	21 kg

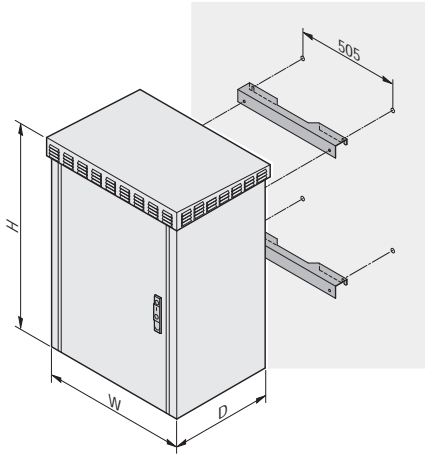
- Please order wall mounting material separately, see page 1.325
- Please order panel/slide mounts separately, see page 1.328
- Equipment cable for heater in heat exchanger (230V<sub>AC</sub>, IEC connector), see page 3.38



For further information [www.schroff.biz/oneclick](http://www.schroff.biz/oneclick)  
oneClick search code = Part no.

## Cabinets - Outdoor - Unibody

### Wall mounting for Unibody



- Suitable for all Unibody standard dimensions
- Cut-out for cable ducting from the top

#### Delivery comprises

Item	Qty	Description
1	2	Bracket
2	1	Assembly kit

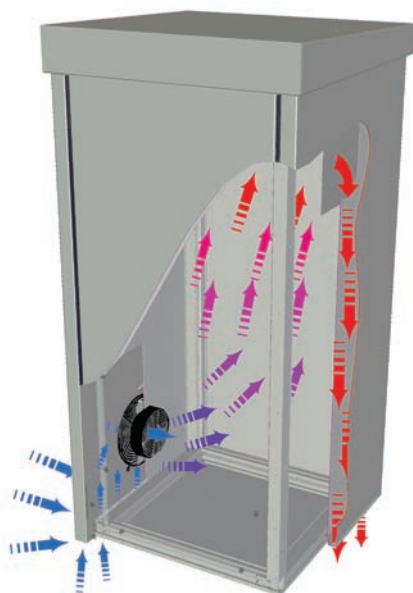
#### Order Information

Description	Part no.
Wall mounting kit	21249-017

41603064

# Cabinets - Outdoor - Modular

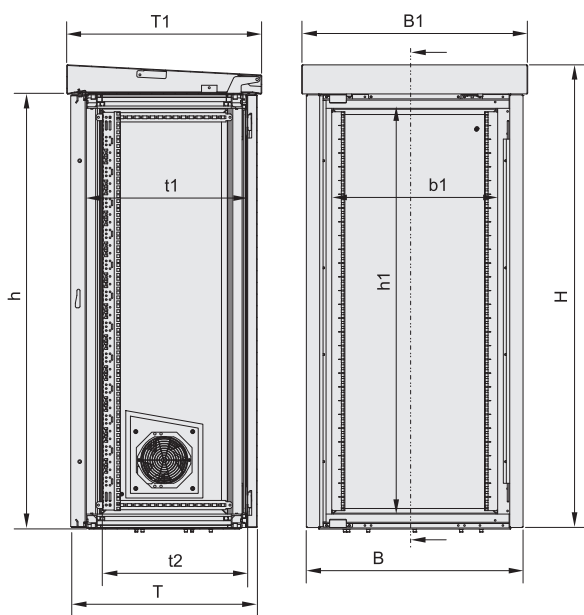
## Modular VENT



- Aluminium profile frame with removable, double-walled cladding
- Forced heat dissipation via fans assembled in the side panel, max. 35 W/K
- IP 55
- Double-walled, Al
- Single door (for 700 mm width), double door (for 1300 mm width)

### Delivery comprises (assembled)

Item	Qty	Description
1	1	Frame, screwed, Al
2	2	Double skin side panel, Al, inner untreated, outer external RAL 7035
3	1	Front door at 700 mm width, double door at 1300 mm width, Al, RAL 7035, 3-point locking, lever handle with DIN half profile cylinder, door opening angle 135°, door retainer at 120°, door hinged on left hand side
4	1	Double skin rear panel, Al, inner untreated, outer external RAL 7035
5	1	External top, Al, RAL 7035
6	1	Base/plinth with removable cover, height 100 mm
7	1	Base plate with cable connection plate, Al
8	4	Depth member for 19" metric panel/slide mounts
9	1	Earthing kit, assembled
10	1	Axial fan (assembled laterally), airflow volume: 360 m <sup>3</sup> /H, 230 V <sub>AC</sub> 50 Hz, noise level less than 53 dB(A), max. pressure 176 Pa, power consumption 35 W, mains/line connector with screw terminal block
11	1	Filter mat
12	1	Thermostat, complete with cable



### Order Information

Height U	Height mm	Width mm	Depth mm	q <sub>w</sub> W/K	Part no.
25	1330	1300	600	35	10149-305
29	1510	700	600	35	10149-306
29	1510	1300	600	35	10149-308

Replacement fan 230 V <sub>AC</sub> 1 piece	21149-185
Air filter for fan 10 pieces	21149-184

q<sub>w</sub> = specific heat dissipation capacity

H*)	H	w	T	h	b <sub>1</sub>	t <sub>1</sub>	t <sub>2</sub>	h <sub>1</sub>	B <sub>1</sub>	T <sub>1</sub>
mm	U	mm	mm	mm	mm	mm	mm	mm	mm	mm
1330	25	1300	600	1233	1136	500	450	1136	1330	630
1510	29	700	600	1408	536	500	450	1311	730	630
1510	29	1300	600	1408	1136	500	450	1311	1330	630

t<sub>2</sub> = max. 19" assembly dimension

\*) height without base/plinth (base/plinth height 100 mm)

### Calculation example at 35 W/K:

(Values as per ETS 300019-1-4 Class 4.1)

Internal temperature 50° C - external temperature 40° C = 10 K.

Up to 350 W of dissipation loss can thus be installed.

(35 W/K x 10 K).

- Please order panel/slide mounts separately, see page 1.328



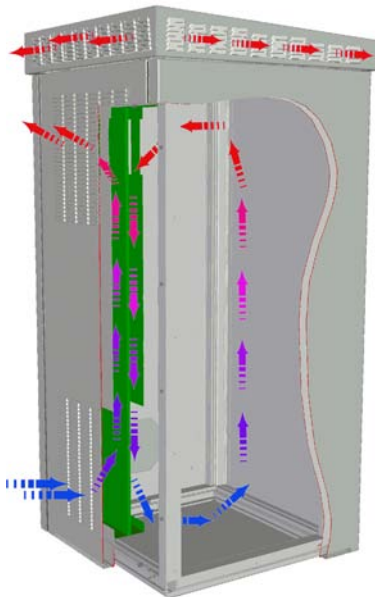
For further information [www.schroff.biz/oneclick](http://www.schroff.biz/oneclick)  
oneClick search code = Part no.



ServicePLUS see page 1.330

# Cabinets - Outdoor - Modular

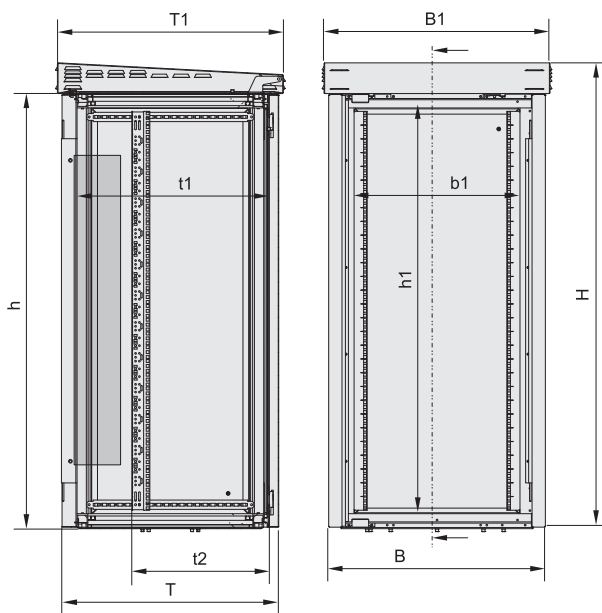
## Modular HEX



- Aluminium profile frame with removable, double-walled cladding
- Forced heat dissipation via integrated heat exchanger in the door, max. 70 W/K
- IP 55
- Double-walled, Al
- Single door (for 700 mm width), double door (for 1300 mm width)

### Delivery comprises (assembled)

Item	Qty	Description
1	1	Frame, screwed, Al
2	2	Double skin side panel, Al, inner untreated, outer external RAL 7035
3	1	Front door at 700 mm width, double door at 1300 mm width, Al, RAL 7035, 3-point locking, lever handle with DIN half profile cylinder, door opening angle 135°, door retainer at 120°, door hinged on left hand side
4	1	Double skin rear panel, Al, inner untreated, outer external RAL 7035
5	1	External top cover, Al, RAL 7035
6	1	Base/plinth with removable cover, height 100 mm
7	1	Base plate with cable connection plate, Al
8	4	Depth member for 19" metric panel/slide mounts
9	1	Earthing kit, assembled
10	1	Heat exchanger 48 V <sub>DC</sub> (electronic control with alarm outputs), incl. temperature sensor and heater, DC connecting cable with IEC connector, 3 m



41603052

41605052

H*)	H	B	T	h	b <sub>1</sub>	t <sub>1</sub>	t <sub>2</sub>	h <sub>1</sub>	B <sub>1</sub>	T <sub>1</sub>
mm	U	mm	mm	mm	mm	mm	mm	mm	mm	mm
1330	25	1300	600	1233	1136	500	350	1136	1330	630
1510	29	700	700	1408	536	600	450	1311	730	730
1510	29	1300	600	1408	1136	500	350	1311	1330	630

t<sub>2</sub> = max. 19" assembly dimension

\*) height without base/plinth (base/plinth height 100 mm)

### Calculation example at 70 W/K:

(Values as per ETS 300019-1-4 Class 4.1)

Internal temperature 50° C - external temperature 40° C = 10 K.

Up to 700 W of dissipation loss can thus be installed.

(70 W/K x 10 K)

### Order Information

Height	Height	Width	Depth	q <sub>w</sub>	Part no.
U	mm	mm	mm	W/K	
25	1330	1300	600	70	10149-313
29	1510	700	700	70	10149-315
29	1510	1300	600	70	10149-316

q<sub>w</sub> = specific heat dissipation capacity, average values

### Technical data heat exchanger

	WT 70
Dimensions (height x width x depth)	1010 x 465 x 150 mm
Heater (input voltage/capacity)	230 V <sub>AC</sub> /1000 W
Specific heat dissipation capacity	70 W/K
Fans	2 pieces
Input voltage	48 V <sub>DC</sub>
Airflow volume external loop	510 m <sup>3</sup> /h
Airflow volume inner loop	600 m <sup>3</sup> /h
Temperature range	-40 ... 50 °C
Type of protection	IP 55
Weight	21 kg

### Note

- Please order panel/slide mounts separately, see page 1.328
- Equipment cable for heater in heat exchanger (230V<sub>AC</sub>, IEC connector), see page 3.38



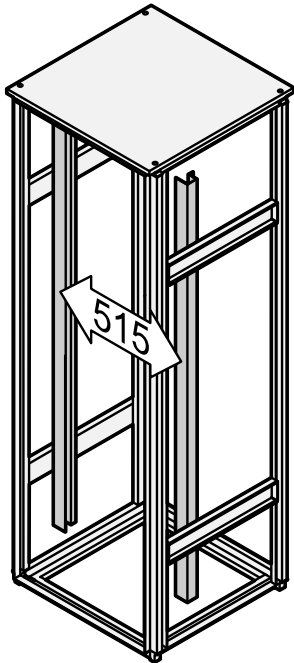
ServicePLUS see page 1.330



For further information [www.schroff.biz/oneclick](http://www.schroff.biz/oneclick)  
OneClick search code = Part no.

## Cabinets - Outdoor - Accessories

### Metric panel/slide mounts



- For fixing metric chassis, subracks, distributor and filler panels to IEC 60917-2-1
- Modular version fixes direct to the frame or to the depth members; Unibody fixes to the depth members

#### Delivery comprises

Item	Qty	Description
1	2	Metric panel/slide mounts, bolt-on dimension 515 mm, St, 2 mm, AlZn
2	1	Assembly kit, incl. GND/earthing

#### Order Information

For cabinet height mm	Usable height SU	Length mm	AlZn Part no.
Partial-height mounting	16	400	24127-547
Partial-height mounting	21	525	24127-682
930	28	700	24127-686
1100	35	875	24127-689
1330	44	1100	24127-694
1510	51	1275	24127-697

#### Note

41001548

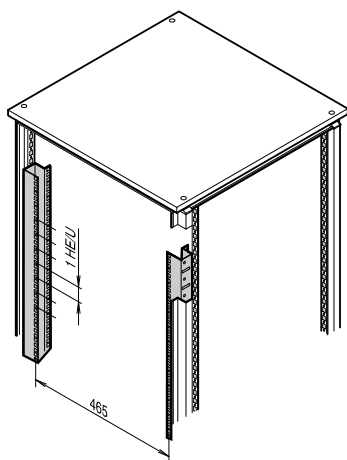
- Depth members and slide rails for partial-height mounting available on request



For further information [www.schroff.biz/oneclick](http://www.schroff.biz/oneclick)  
oneClick search code = Part no.

## Cabinets - Outdoor - Accessories

### 19" panel/slide mounts



PLA45434

- For mounting of 19" chassis, subracks, distribution and filler panels in accordance with IEC 60297-3-100 (DIN 41 494, part 1)
- Assembled directly on the frame or on the depth member for the Modular, for Unibody assembly on depth member

#### Delivery comprises

Item	Qty	Description
1	2	19" panel/slide mount, St, 2 mm, RAL 7035/Al-Zn
2	1	Assembly kit, incl. GND/earthing

#### Order Information

For cabinet height mm	Usable height U	Length mm	Part no.
Partial-height mounting	9	400	24127-370
Partial-height mounting	12	533	24127-484
930	16	711	24127-485
1100	20	889	24127-487
1330	25	1111	24127-489
1510	29	1289	24127-491

#### Note

- Depth member for partial-height mounting available on request



For further information [www.schroff.biz/oneclick](http://www.schroff.biz/oneclick)  
oneClick search code = Part no.



## Cabinets – Outdoor ServicePLUS



### configuration

**Components can be varied and combined freely**

**Simple. Fast. For the product you want.**

- Enquiry form for outdoor cabinets
  - Various interior and exterior dimensions
  - Degree of protection
  - Determining of the cooling capacity
  - Cooling concept

- Online configuration: [www.schroff.co.uk/configuration](http://www.schroff.co.uk/configuration)



### solution

**Integration and custom developments**

**Simple. Fast. From one source.**

- Heat simulation on FloTHERM® model and calculations by experts
- Special sizes, customised solutions



### academy

**Knowledge transfer and partnership**

**Knowledge. Sharing. Partnerships.**

- Seminars, white papers, CAD drawings, test reports, user reports



### lifecycle

**Flexible support throughout the product lifecycle**

**We are with you. For the entire product life.**

- Delivery to point of use, installation service, exchange service, maintenance, repair, replacement parts, recycling

## Cabinets - Outdoor ServicePLUS



41608003

### Mobile telephony base station

- Mobile telephony base station with energy supply in one cabinet
- BTS connection via special cable routing in top element
- Based on the "modular" concept, the cabinet can be upgraded with various pre-defined "kits"
- Cooling either via fresh-air inlet (air filtered fan) or, in other cabinet variants, using an air conditioner



41608004

### Mobile telephony power supply

- Cabinet for power supply to mobile telephony base stations
- Based on the "modular" cabinet concept with a special top panel design for cabling; can accept both 19" and 21" wide devices
- Heat exchanger in the front door
- AC/DC power distribution installed laterally beside 19" plane



41608005

### Wimax

- Base station for Wimax applications
- "Unibody" concept with special base for easy assembly at installation site
- Fresh air inlet via air inlet filter
- Additional components such as cabinet heater and door contact switch factory preinstalled

## Cabinets - Outdoor ServicePLUS



41608010

### VDSL fixed network

- VDSL distribution cabinet
- Case based on a "modular" frame and double-walled outer cladding
- Cooling via controlled fans in case top panel. Airflow is only between the double walls; the device area remains sealed
- Separate stainless steel base with space for batteries and cable ducting



41608006

### Battery cabinet

- Cabinet to power mobile telephony stations
- Based on the "modular" cabinet concept with the option of accommodating both 19" and 21" wide devices
- Direct cooling via fresh air introduced into the interior via an air filtered fan
- Fitting and connection of additional components e.g. smoke detector, door contact switch etc



41608007

### Triple Play

- Distribution cabinet for fibre-optic cables (FTTN/FTTH)
- Ex works with power supply, backup batteries and safety devices
- Design outdoor "Modular"
- Combined cooling with air conditioner and additional internal air circulation

## Cabinets - Outdoor ServicePLUS



41603016

### Meteorology

- Compact, robust case for recording measured data in thunderstorms and strong winds
- Outdoor "Unibody" for mast mounting
- Climate control based on an additional fan in the gap between the dual walls
- A controllable heater can be added for use in freezing conditions



41608008

### Voltage monitoring (railway)

- Voltage monitoring on overhead cables
- Construction based on "unibody" concept, for wall or mast mounting
- Energy-saving, noiseless cooling by convection between the double walls



41608009

### Measurement technology on the rails

- Safety measurement device to detect the wheel temperature of passing trains
- Positioned very close to the tracks, thus requires robust vibration-proof design to IEC 61963
- Construction based on "modular" concept; the devices are mounted on a swing frame
- Heat dissipation via side-mounted air conditioner