

Proximity Magnetic Sensors Level Magnetic Sensors ILSP Series



- Cylindrical non-toxic polypropylene housing
- NO, NC or CO output functions
- Reversible output function by float overturning
- Silicone cable output connection

Product Description

The ILSP models, made of non toxic polypropylene with silicone cable, allow the change of the output function by turning the float or the rod.

Ordering Key

ILSP 8

Type _____
Reed contact type _____

Type Selection

Float diameter	Connection	Output function	Reference
Ø 44	Silicone cable L= 0.5m	NO, NC*	ILSP 2
Ø 44	Silicone cable L= 0.5m	NO, NC*	ILSP 8
Ø 44	Silicone cable L= 0.5m	CO	ILSP S 2

Diameters are specified in millimeters (mm)
*Reversible output function by float overturning

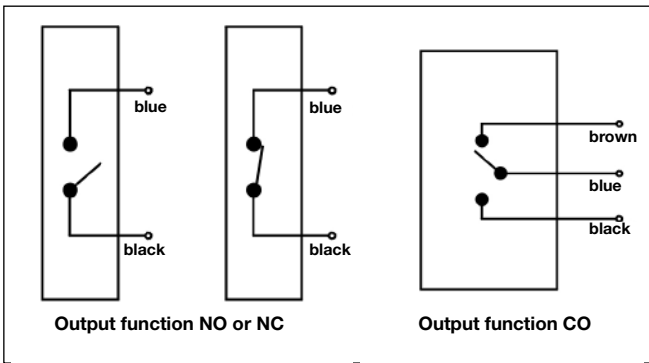
Output Specifications

Output ILSP2, ILSP8 ILSPS2	NO, NC Change-over
Contact ratings	
Max Switching Voltage	
ILSP2	250 VAC
ILSP8	1500 VAC
ILSPS2	230 VAC
Max Switching Current	
ILSP2	3 A
ILSP8	3 A
ILSPS2	1 A
Max Switching Power	
ILSP2	100 VA
ILSP8	120 VA
ILSPS2	60 VA

General Specifications

Operating temperature	-25 to +100 °C
Degree of protection	IP 68 (cable output IP67)
Float	
Diameter	Ø 44 mm
Material	Plastic
Min liquid specific gravity	0.75 kg/dm ³
Max pressure	0.6 kg/cm ²
CE-marking	Yes

Wiring Diagrams



Dimensions

